

THE INFORMATION CONTAINED IN THIS DOCUMENT IS PROPRIETARY TO Y-S ELECTRONIC. ANY REPRODUCTION IN PART OR WHOLE WITHOUT PRIOR WRITTEN APPROVAL OR AUTHORIZATION OF Y-S ELECTRONIC IS STRICTLY PROHIBITED.

ROHS COMPLIANT

Product Specification

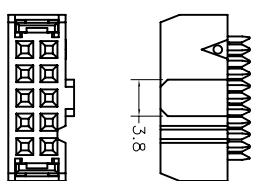
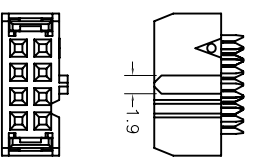
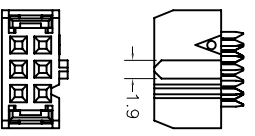
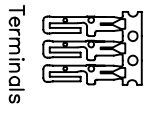
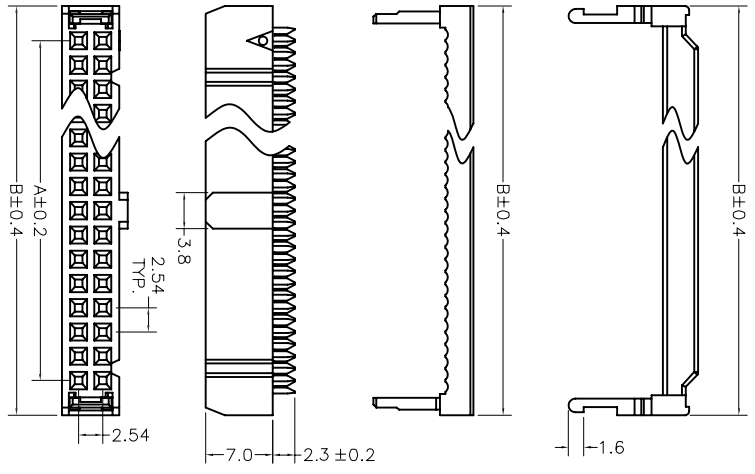
**Material**  
 Insulator :Glass-Filled Thermoplastic  
 PBT, UL94V-0 rates

**Contact** : Brass, Gold Plated 1U" over Nickel 50U"  
 Electrical

**Contact Resistance** :20 milliohms  
**Insulation Resistance** :5000 megohms at 500 VDC

**Dielectric Withstanding Voltage** :  
 500 VAC/rms 60Hz for 1 minute

**Current Rating** :1 AMP  
**Voltage Rating** :250 VAC/rms 60Hz  
**Operating Temperature** : -55°C to +105°C



PART NO	Dim. A	Dim. B	Dim. C
FC-6P	5.08	12.32	1.9
FC-8P	7.62	14.86	1.9
FC-10P	10.16	17.40	3.8
FC-12P	12.7	19.94	3.8
FC-14P	15.24	22.48	3.8
FC-16P	17.78	25.02	3.8
FC-18P	20.32	27.56	3.8
FC-20P	22.86	30.10	3.8
FC-24P	27.94	35.18	3.8
FC-28P	30.48	37.72	3.8
FC-30P	33.02	40.26	3.8
FC-34P	35.56	42.80	3.8
FC-40P	48.26	55.5	3.8
FC-50P	60.96	68.20	3.8
FC-60P	73.66	80.90	3.8
FC-64P	78.74	85.98	3.8

6P-8P Central Bump/Single Fillicter

10P-12P Single Fillicter

DIMENSIONS: <input type="checkbox"/> [mm] <input type="checkbox"/> INCH <input checked="" type="checkbox"/> ONLY		CAD GENERATED DRAWING; DO NOT MANUALLY UPDATE DRAWN BY AND DATE JACK CHEN 2010-06-08	
UNLESS OTHERWISE SPECIFIED, GENERAL TOLERANCE: DECIMALS [0.015]    ANGLES    X° ±3° .X    ±0.25 [0.010]    X°    ±1.0° .XX    ±0.13 [0.005]		CHECKED BY AND DATE JUSTIN XING 2010-06-08 APPROVED BY AND DATE FRANKY CHEN 2010-06-08 THIRD ANGLE PROJECTION	
MATERIAL: FINISH		TITLE 110 SERIES I.D.C. SOCKET 2.54MM (0.100")	
SCALE: NONE    SIZE: A3		DRAWING NO. 110-XXXXX00010 FILE NO. SHEET 1 OF 1	

**Y-S ELECTRONIC CO., LTD.**

DO NOT SCALE DRAWING

THE INFORMATION CONTAINED IN THIS DOCUMENT IS PROPRIETARY TO Y-S ELECTRONIC. ANY REPRODUCTION IN PART OR WHOLE WITHOUT PRIOR WRITTEN APPROVAL OR AUTHORIZATION OF Y-S ELECTRONIC IS STRICTLY PROHIBITED.

## Ordering Information

110 -  $\overline{XX}$   $\overline{a}$   $\overline{X}$   $\overline{b}$   $\overline{X}$   $\overline{c}$   $\overline{X}$   $\overline{d}$   $\overline{X}$   $\overline{e}$   $\overline{X}$   $\overline{f}$   $\overline{X}$   $\overline{g}$   $\overline{X}$   $\overline{h}$   $\overline{X}$   $\overline{i}$   $\overline{X}$   $\overline{j}$

- a. No. of Pins
- b. Contact Plating
  - 0: Gold Flash selective gold<standard>
  - 1: 5u" selective gold on contact
  - 2: 10u" selective gold on contact
  - 3: 15u" selective gold on contact
  - 4: 30u" selective gold on contact
  - 5: 50u" selective gold on contact
  - 6: Gold flash full gold
  - 7: Full Nickel
- c. Option On Strain Relief
  - 0: With strain relief
  - 1: Without strain relief
- d. Insulator Color
  - 0: Black<standard>
  - 1: Gray
  - 2: Blue
  - 3: Gray (ral7032)
- e. Option on Central Bump
  - 0: With central bump
  - 1: Without central bump
- f. Contact Type
  - 0: Single contact
  - 1: Double contact
  - 2: Triple contact
- g. Option On Terminal
  - 0: Standard Terminal
  - 1: Middle Terminal
  - 2: High Terminal
- h. Contact Material
  - 0: Phosphor Brass(ATA)
  - 1: Brass (IDC)
- i. Logo Type
  - 0: Without Logo
  - 1: With Logo
- j. Pin Removed Options
  - 10: Pin #10 removed

REV.	DESCRIPTION	EQ. NO.	DWG.	CHK.	APVD.	DATE

DO NOT SCALE DRAWING

DIMENSIONS:		<input type="checkbox"/> MM <input type="checkbox"/> INCH <input checked="" type="checkbox"/> MM <input type="checkbox"/> LINCH <input type="checkbox"/> INCH <input type="checkbox"/> ONLY	
UNLESS OTHERWISE SPECIFIED:		CHECKED BY AND DATE JACK CHEN 2010-06-08	
GENERAL TOLERANCE:		DRAWN BY AND DATE JUSTIN XING 2010-06-08	
DECIMALS	ANGLES	APPROVED BY AND DATE FRANKY CHEN 2010-06-08	
X .4038 (0.015)	X ° ±3°	THIRD ANGLE PROJECTION	
X .025 (0.010)	X' ±10'	DRAWING NO. 110-XXXXXX0010	
XX ±0.13 (0.005)		FILE NO.:	REV
MATERIAL:		SCALE:	A
		SIZE: A3	1 OF 1
		1:1	



TITLE  
110 SERIES  
I.D.C. SOCKET 2.54MM (0.100")

1 2 3 4 5 6 7 8