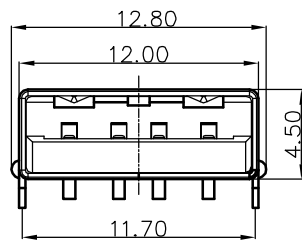
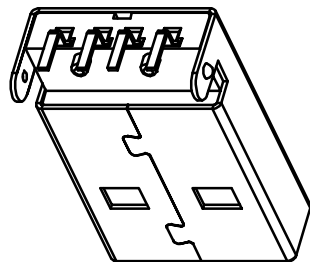


THE INFORMATION CONTAINED IN THIS DOCUMENT IS PROPRIETARY TO Y-S ELECTRONIC, ANY REPRODUCTION IN PART OR WHOLE WITHOUT PRIOR WRITTEN APPROVAL OR AUTHORIZATION OF Y-S ELECTRONIC IS STRICTLY PROHIBITED.

RoHS COMPLIANT

REVISIONS				
REV	ECN NO.	DESCRIPTION	APPROVED BY	DATE
A				



USB-A ELECTRICAL CHARACTERISTIC

RATING:

VOLTAGE RATING: 30V AC (rms)  
CURRENT RATING: 1.0A MAX

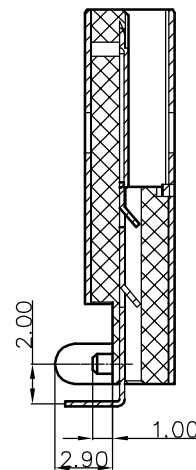
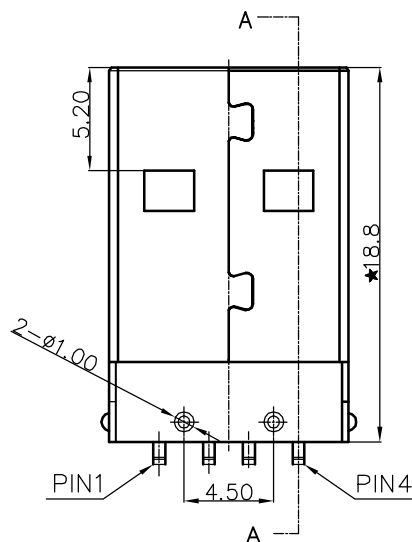
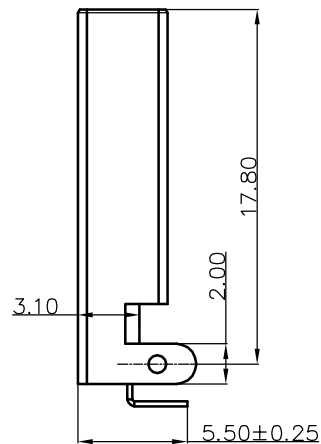
ELECTRICAL CHARACTERISTICS:

CONTACT RESISTANCE: 30 milliohms max  
INSULATION RESISTANCE: 100 megohms min  
DIELECTRIC WITHSTANDING VOLTAGE: 500 V DC/1min  
TOTAL MATING FORCE: 3.57 kgf max  
TOTAL UNMATING FORCE: 1.0 kgf min  
TEMPERATURE RANGE: -40°C~85°C

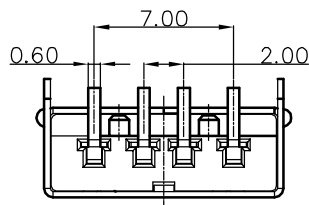
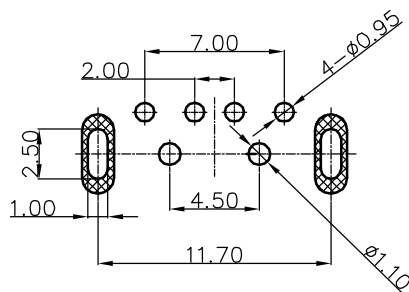
Ordering Information

184 -  $\frac{XX}{a} \frac{X}{b} \frac{X}{c} \frac{X}{d} \frac{X}{e} \frac{X}{F}$

- a. No. Of Pins  
04: 04 positions
- b. Contact Type  
1: Male  
2: Female (Standard)
- c. Contact Plating  
0: Gold flash selective gold  
1: 5u' selective gold over 50u' nickel  
2: 15u' selective gold over 50u' nickel  
3: 30u' selective gold over 50u' nickel  
4: 50u' selective gold over 50u' nickel
- d. Shell Plating  
1: Nickel  
2: Tin
- e. Insulator Color  
1: Black  
2: Beige  
3: Black high temperature  
4: White
- f. Option  
1: Without rear shell  
2: With rear shell



SECTION A-A



DO NOT SCALE DRAWING

DIMENSIONS: <input type="checkbox"/> MM [INCH] <input type="checkbox"/> INCH [MM] <input checked="" type="checkbox"/> MM ONLY	CAD GENERATED DRAWING, DO NOT MANUALLY UPDATE	
	UNLESS OTHERWISE SPECIFIED, GENERAL TOLERANCE: DECIMALS X: ±0.38 [0.015] .X: ±0.25 [0.010] .XX: ±0.13 [0.005]	ANGLES X°: ±3° .X°: ±1.0°
MATERIAL	SCALE: 4:1	SIZE: A3
FINISH		



**Y-S ELECTRONIC CO., LTD.**  
No. 101, Sec. 1, Long-An Street,  
Lu-Chu, Taoyuan, Taiwan, R.O.C.  
TEL: +886-3-3609819 FAX: +886-3-3609817

TITLE		REV
184 SERIES USB P.C.B. RIGHT ANGLE TYPE (A TYPE)		
DRAWING NO.		SHEET 1 OF 1
184-041XXXX1		
FILE NO.		

THE INFORMATION CONTAINED IN THIS DOCUMENT IS PROPRIETARY TO Y-S ELECTRONIC, ANY REPRODUCTION IN PART OR WHOLE WITHOUT PRIOR WRITTEN APPROVAL OR AUTHORIZATION OF Y-S ELECTRONIC IS STRICTLY PROHIBITED.

RoHS COMPLIANT

REVISIONS				
REV	ECN NO.	DESCRIPTION	APPROVED BY	DATE
A		△	KING CHIU	2006-09-8

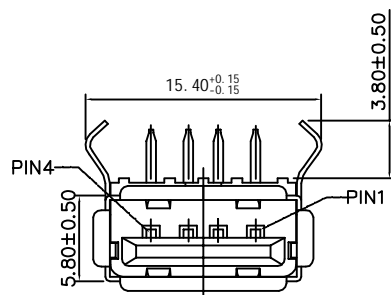
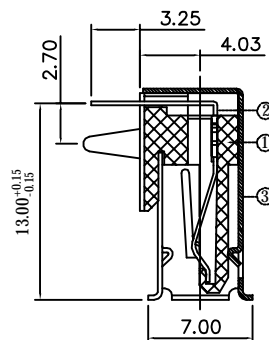
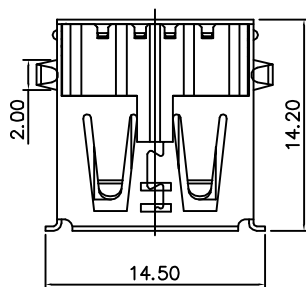
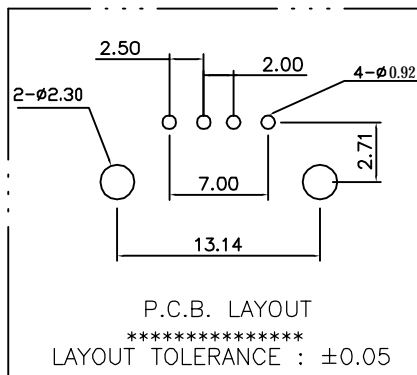
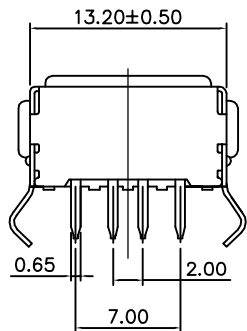
Product Specification

USB-A ELECTRICAL CHARACTERISTIC  
 VOLTAGE RATING: 30V AC (rms)  
 CURRENT RATING: 1.0A MAX  
 ELECTRICAL CHARACTERISTICS:  
 CONTACT RESISTANCE: 30 milliohms max  
 INSULATION RESISTANCE: 100 megohms min  
 DIELECTRIC WITHSTANDING VOLTAGE: 500 V DC/1min  
 TEMPERATURE RANGE: -40°C ~ 85°C

Ordering Information

184 -  $\frac{XX}{a} \frac{X}{b} \frac{X}{c} \frac{X}{d} \frac{X}{e} \frac{X}{f}$

- a. No. Of Pins  
04: 04 positions
- b. Contact Type  
1: Male  
2: Female (Standard)
- c. Contact Plating  
0: Gold flash selective gold  
1: 5u" selective gold over 50u" nickel  
2: 15u" selective gold over 50u" nickel  
3: 30u" selective gold over 50u" nickel  
4: 50u" selective gold over 50u" nickel
- d. Shell Plating  
1: Nickel  
2: Tin
- e. Insulator Color  
1: Black  
2: Beige  
3: Black high temperature  
4: White
- f. Option  
1: Without rear shell  
2: With rear shell



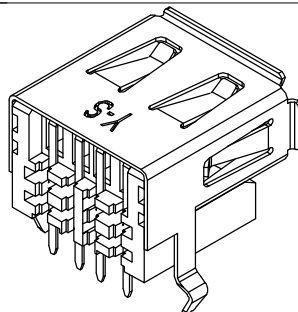
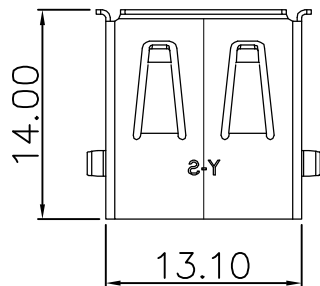
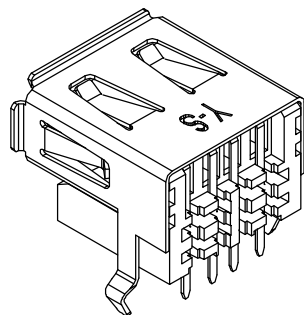
DO NOT SCALE DRAWING

DIMENSIONS: <input type="checkbox"/> MM [INCH] <input type="checkbox"/> INCH [mm] <input checked="" type="checkbox"/> MM ONLY	CAD GENERATED DRAWING, DO NOT MANUALLY UPDATE DRAWN BY AND DATE JUSTIN XING 07-03-06	<b>Y-S ELECTRONIC CO., LTD.</b> No. 101, Sec. 1, Long-An Street, Lu-Chu, Taoyuan, Taiwan, R.O.C. TEL: +886-3-3609819 FAX: +886-3-3609817	
			UNLESS OTHERWISE SPECIFIED, GENERAL TOLERANCE: DECIMALS      ANGLES X: ±0.38 [0.015]    X° ±3° .X ±0.25 [0.010]    .X° ±1.0° .XX ±0.13 [0.005]
MATERIAL FINISH	SCALE: 3 : 1      SIZE: A3	DRAWING NO. 184-042XXXX	REV A
FILE NO.:		SHEET 1 OF 1	

THE INFORMATION CONTAINED IN THIS DOCUMENT IS PROPRIETARY TO Y-S ELECTRONIC, ANY REPRODUCTION IN PART OR WHOLE WITHOUT PRIOR WRITTEN APPROVAL OR AUTHORIZATION OF Y-S ELECTRONIC IS STRICTLY PROHIBITED.

RoHS COMPLIANT

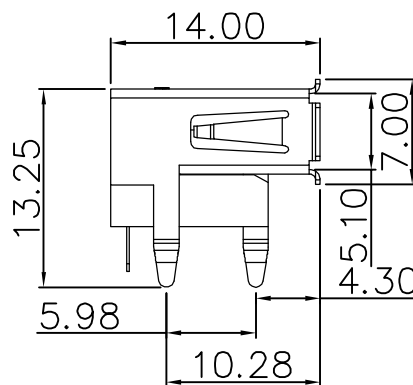
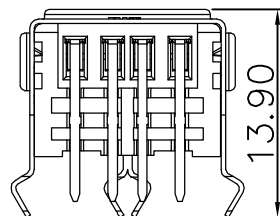
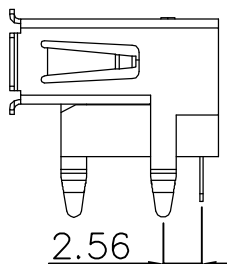
REVISIONS				
REV	ECN NO.	DESCRIPTION	APPROVED BY	DATE



PRODUCT SPECIFICATION

USB-A ELECTRICAL CHARACTERISTIC

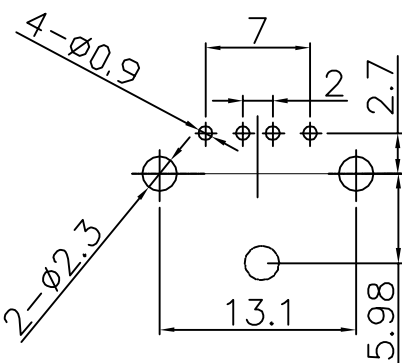
CONTACT: BRONZE  
 VOLTAGE RATING: 30V AC (rms)  
 CURRENT RATING: 1.0A MAX  
 ELECTRICAL CHARACTERISTICS:  
 CONTACT RESISTANCE: 30 milliohms max  
 INSULATION RESISTANCE: 100 megohms min  
 DIELECTRIC WITHSTANDING VOLTAGE: 500 V DC/1min  
 TEMPERATURE RANGE:-40°C ~ 85°C



Ordering Information

184 -  $\frac{XX}{a} \frac{X}{b} \frac{X}{c} \frac{X}{d} \frac{X}{e} \frac{X}{f}$

- a. No. Of Pins  
04: 04 positions
- b. Contact Type  
1: Male  
2: Female (Standard)
- c. Contact Plating  
0: Gold Flash selective gold  
1: 5u" selective gold over 50u" nickel  
2: 15u" selective gold over 50u" nickel  
3: 30u" selective gold over 50u" nickel  
4: 50u" selective gold over 50u" nickel
- d. Shell Plating  
1: Nickel  
2: Tin
- e. Insulator Color  
1: Black  
2: Beige  
3: Black high temperature lcp  
4: White
- f. Option  
1: Without rear shell  
2: With rear shell



LAYOUT PCB

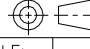
DIMENSIONS:	
<input type="checkbox"/> MM [INCH]	<input type="checkbox"/> INCH [mm]
<input checked="" type="checkbox"/> MM ONLY	

UNLESS OTHERWISE SPECIFIED, GENERAL TOLERANCE:	
DECIMALS	ANGLES
X: ±0.38 [0.015]	X°: ±3°
.X: ±0.25 [0.010]	.X°: ±1.0°
.XX: ±0.13 [0.005]	

MATERIAL	
FINISH	

CAD GENERATED DRAWING, DO NOT MANUALLY UPDATE  
 DRAWN BY AND DATE  
 JUSTIN XING 08-05-06

CHECKED BY AND DATE  
 JUSTIN XING 08-05-06  
 APPROVED BY AND DATE  
 KING CHIU 08-05-06

THIRD ANGLE PROJECTION  
  
 SCALE: 3 : 1  
 SIZE: A3



**Y-S ELECTRONIC CO., LTD.**  
 No. 101, Sec. 1, Long-An Street,  
 Lu-Chu, Taoyuan, Taiwan, R.O.C.  
 TEL: +886-3-3609819 FAX: +886-3-3609817

TITLE  
 184 SERIES  
 USB P.C.B. RIGHT ANGLE TYPE (A TYPE)

DRAWING NO. 184-0423231	REV A
FILE NO.	SHEET 1 OF 1

DO NOT SCALE DRAWING