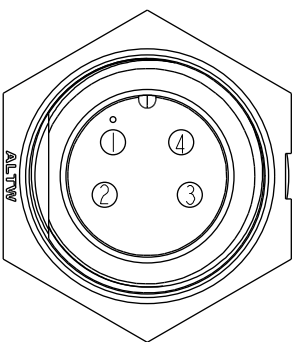
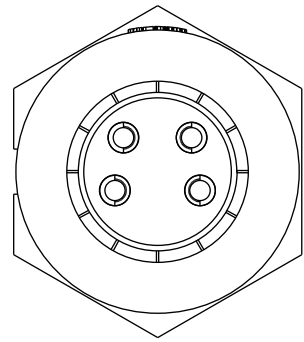
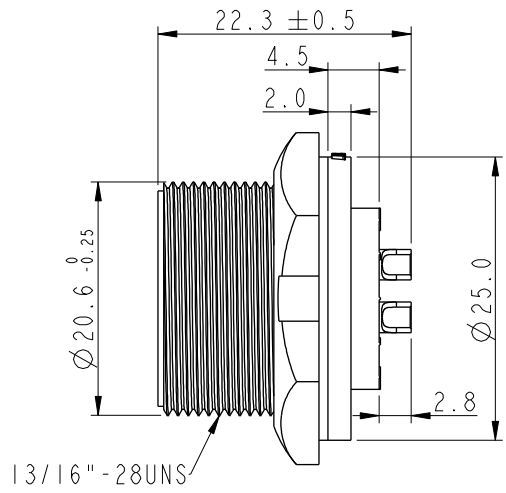
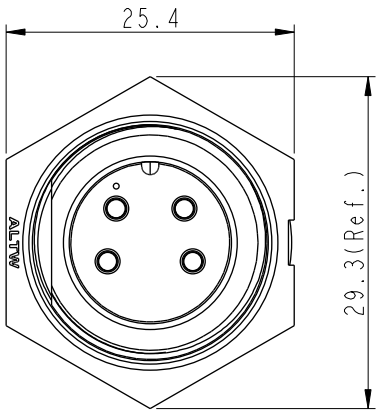
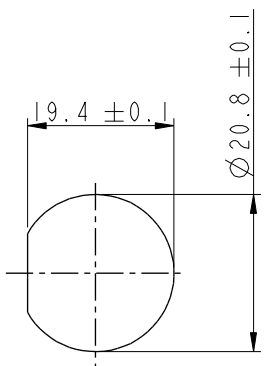


THIS DOCUMENT IS SUBJECT TO CHANGE WITHOUT NOTICE. IT IS CONFIDENTIAL AND A PROPERTY OF Amphenol LTW. DISCLOSURE TO THIRD PARTY HAS TO BE AUTHORIZED BY Amphenol LTW.

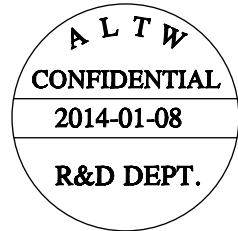
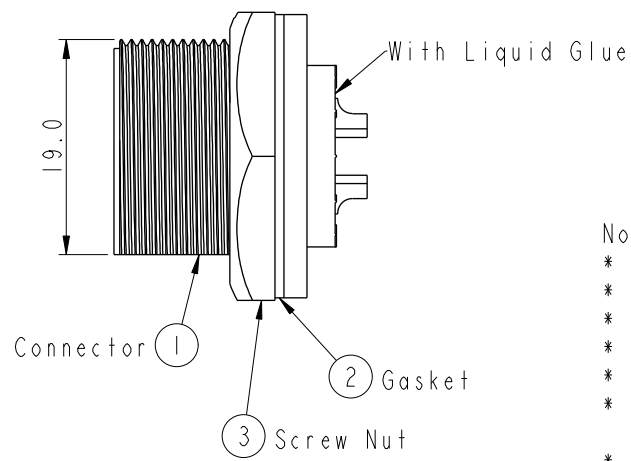
REV.	ECN NO.	DATE	SIGN	DESCRIPTION
A	Initial Release	2014-01-08	Jason.Yu	New Item



Pin Assignments
Front View



Recommended Panel
Cut-Out



- Note:
- * Waterproof Rate: IP67
 - * Housing: Nylon+GF, Black
 - * Male Pin: Copper Alloy, Gold Plated
 - * Gasket: Silicone, Gray
 - * Screw Nut: Nylon+GF, Black
 - * Use with waterproof cap or dust cap
Maximum Panel Thickness: 2.5mm
 - * Use without waterproof cap or dust cap
Maximum Panel Thickness: 3.5mm

UNIT: mm		
TOLERANCE	±0.25	
.X	±0.1	
.XX	±0.05	
.XXX	±0.05	
ANGLES	±1°	

TITLE MIDDLE CNC PIN PANEL SCREW 4PIN M CONN M PIN			
SCALE 3:2	SIZE A4	SHEET 1 OF 1	
REV. A	WC-REV. A.2	QC: Inspection item	

Amphenol LTW
安費諾亮泰企業股份有限公司

ITEM NO. ICB-04PMMS-SC7001	DRAWN BY Jason_yu	DATE 2014-01-08
DWG NO. ICB-04PMMS-SC7001	CHECKED BY Ruru	DATE 2014-01-08
CUSTOMER ALTW	APPROVED BY Victor	DATE 2014-01-08