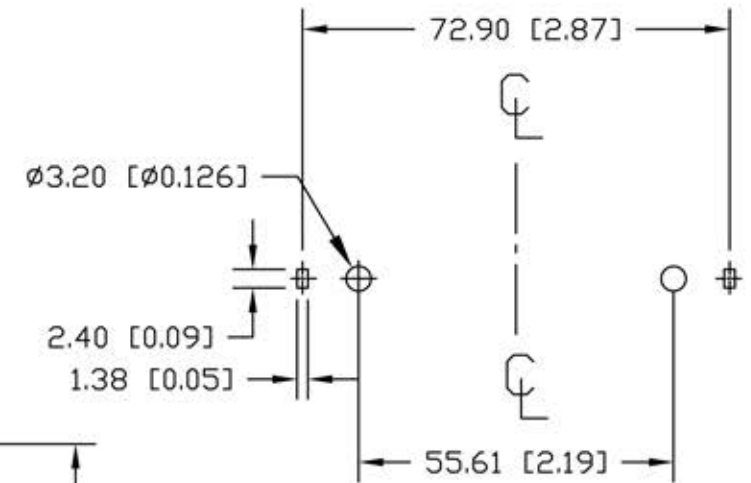
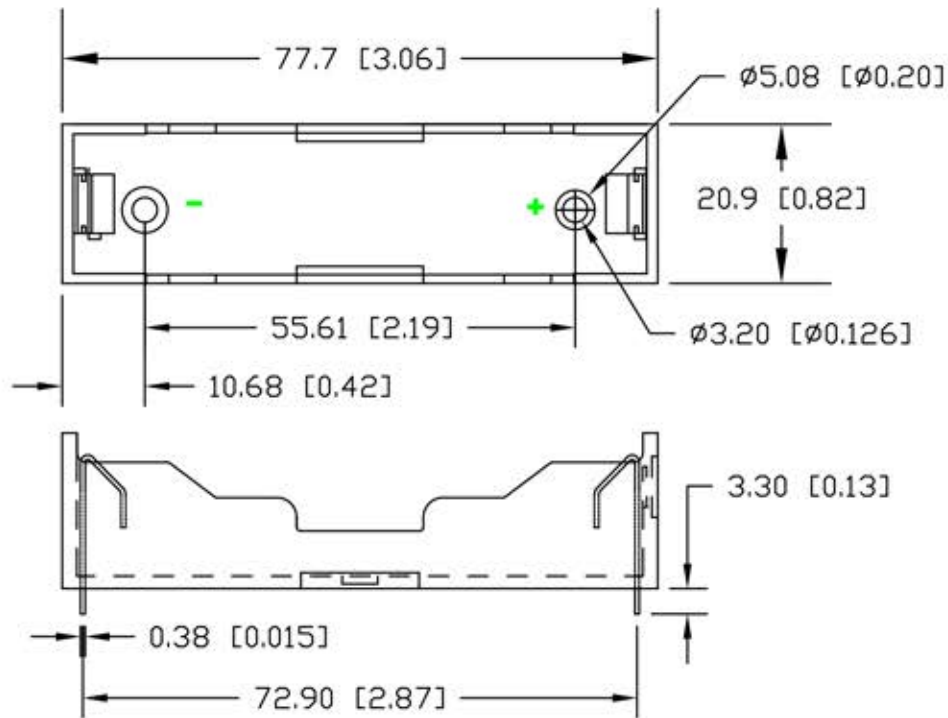
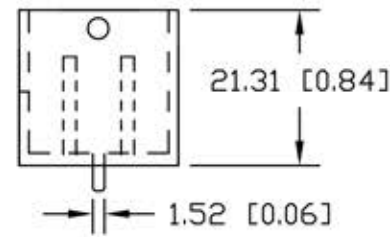


Date	SYM	REVISION RECORD	AUTH	DR.	CK.
09/16/11	A	UPDATED NOTES	T.B.	B.S.	
10/03/14	B	UPDATED TO ROHS 2 COMPLIANT	T.B.	B.S.	
06/30/17	C	UPDATED NOTES	T.B.	B.S.	
07/22/17	D	ADDED MOUNTING INSTRUCTION	T.B.	B.S.	



PCB LAYOUT



NOTES:

Material: Self-extinguishing Thermoplastic Polyester, color black
 Temperature Range: -40°C to +180°C
 Contacts: 302 Stainless Steel Spring Temper, Nickel Plated
 Flammability Rating: UL 94V-0
 PC Pins: Steel, Nickel Plated
 Dielectric Strength: 560 Volts/Mil. at 25°C for 5 Sec.
 Resistance to Solvents: Xylene, ethyl, butyl, methyl & toluene
 Weight: 11.60g.
ROHS 2 COMPLIANT

Mounting Instruction:

Use 2-56 machine screws or eyelets 0.089" OD by 0.15" flange simpson GS-3 series or equivalent. also adhesives and double sided tapes work well.

Tolerance (Inches)	SECCON Seccon Indústria Comércio LTDA		
Decimal ±.5 (.020)	Scale	Drawn By B.S.	
Fractional ± .8 (.030)	Approved By T.B.		
Angular ± 3°	Title	ONE 18650 LI-ION CELL HOLDER	
	Date	Drawing Number	
	07/22/17	BH-18650-PC	