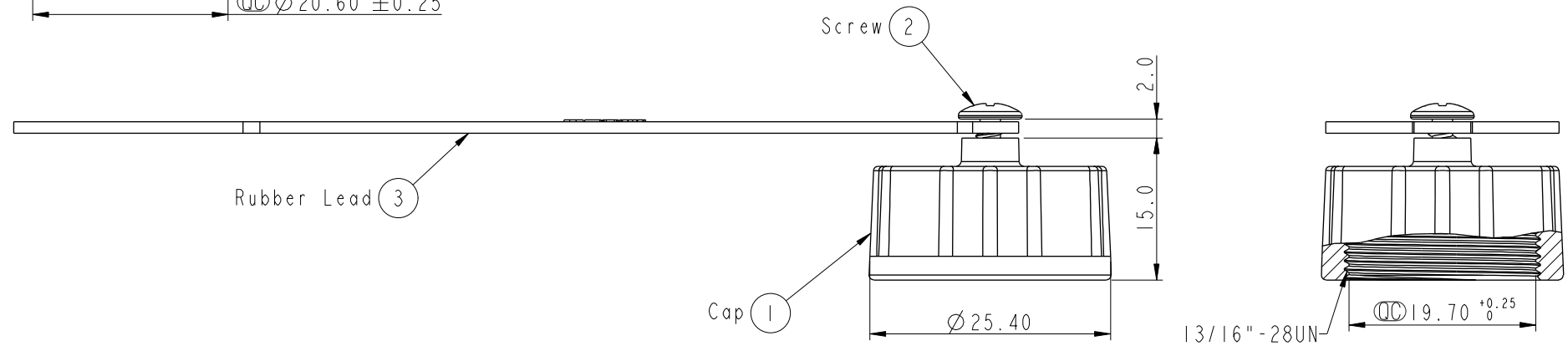
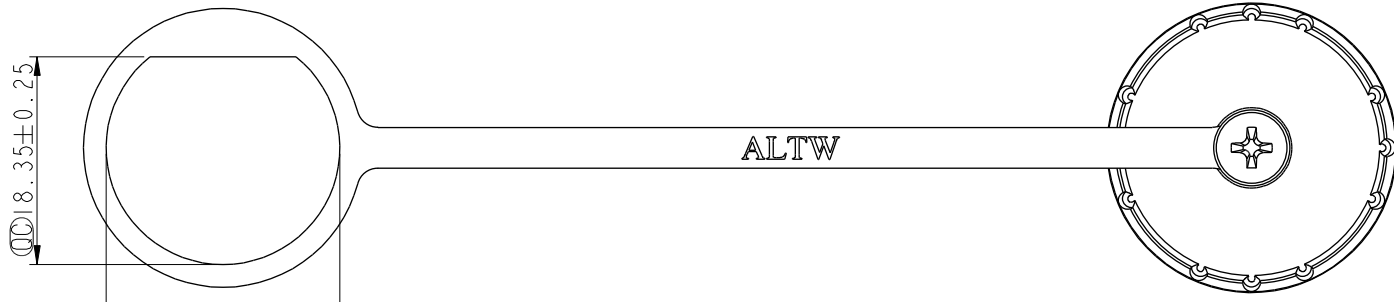


REV.	ECN NO.	DATE	SIGN	DESCRIPTION



Note:  
 \*  $\varnothing$  Important Dimension To Check.  
 \* Waterproof Rate: IP67.  
 \* Cap: Nylon+GF, Black.  
 \* Gasket: EPDM, Black.  
 \* Rubber Lead: PVC, Black.  
 \* Screw os not allowed to tight (Chain be revolve)  
 不可將螺絲鎖緊 (Rubber Lead 要可旋轉)

UNIT: mm		TITLE Waterproof Cap For Male Conn. C Size Screw Type			<b>Amphenol LTW</b> 安費諾亮泰企業股份有限公司	ITEM NO	DRAWN BY	DATE
		SCALE 3:2	SIZE A4	SHEET 1 OF 1		CAP-WACMSPCI	Vicky	2013-05-21
TOLERANCE .X ±0.25 .XX ±0.1 .XXX ±0.05 ANGLES ±1°		REV. A	WC-REV. A.2	$\varnothing$ : Inspection item	DWG NO	CHECKED BY	DATE	
					CAP-WACMSPCI	Sam Chang	2013-05-21	
					CUSTOMER ALTW	APPROVED BY Maslow	DATE 2013-05-21	

THIS DOCUMENT IS SUBJECT TO CHANGE WITHOUT NOTICE. IT IS CONFIDENTIAL AND A PROPERTY OF AMPHENOL LTW. DISCLOSURE TO THIRD PARTY HAS TO BE AUTHORIZED BY AMPHENOL LTW.