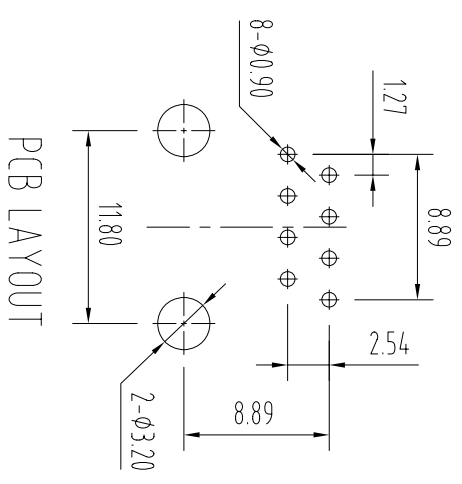
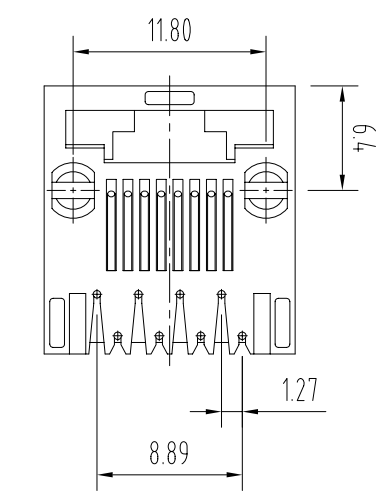
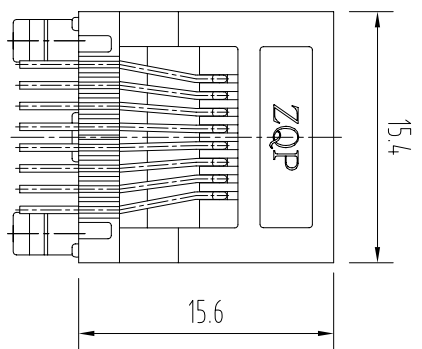
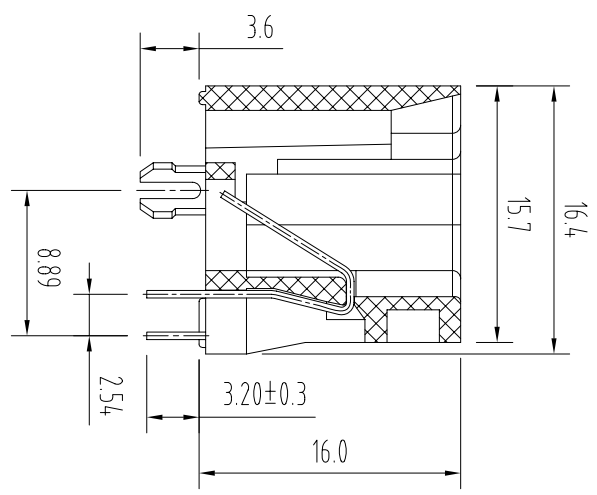
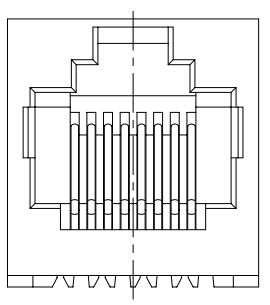


REVISION RECORD				
REV	ECO	DESCRIPTION	DRFT	CHKD



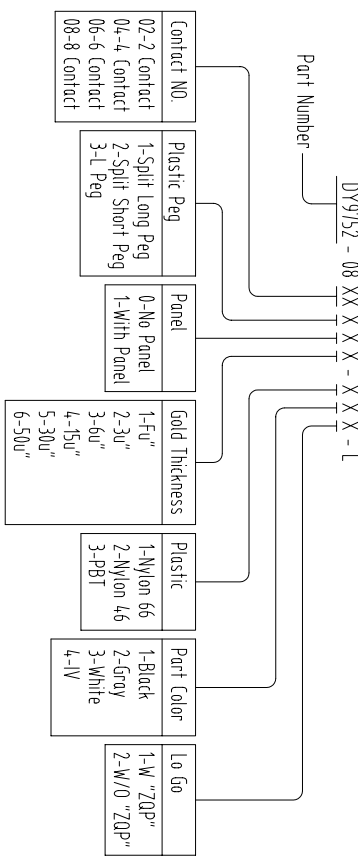
- NOTES:
- ELECTRICAL:
1. Voltage Rating: 125V AC Max.
 2. Current Rating: 1.5 Amp Max @25°C.
 3. Contact Resistance: 30 Milliohms Max @500V DC.
 4. Insulation Resistance: 500 Megohms Min @500V DC.
 5. Dielectric Withstanding Voltage: 1000V AC RMS 50Hz OR 60Hz, 1Min
- MECHANICAL:
1. Housing Material: Glass Filled Polyester UL94V-0.
 2. Contact Material: Phosphor Bronze $\phi 0.46$ mm Round Pin.
 3. Plating :Gold Plating Over Nickel.
 4. Operating Life: 750 Cycles Min.
 5. PCB Retention Pre-Solder: 1 LB Min.
 6. PCB Retention Post-Solder: 10 LBS Min.

- ENVIRONMENTAL:
1. Storage Temperature: -40°C T0 +85°C.
 2. Operating Temperature: -40°C T0 +85°C.

Mates With Modular Plug Conforms To FCC Part 68, Subpart F.

PART NUMBER:

DY9752 - 08 XX X X X - X X X - 1



DETACHED LISTS		MM		(INCH)	
MM	±	MM	±	INCH	±
.00 ± 0.15	±	.00 ± 0.15	±		
.000 ± 0.075	±	.000 ± 0.075	±		
APPRV: PAUL	DATE: 07.12.18	CHKD: BETTY	DATE: 07.12.18	DRFO: XNW	DATE: 07.12.18
MATERIAL:					
QTY:					
FINISH:					
SCALE : 1 : 1					
THIRD ANGLE PROJECTION					
DO NOT SCALE DRAWING					
TITLE		多 元 电 讯 制 品 有 限 公 司			
DUOYUAN TELECOM PRODUCTS CO., LTD		多元电讯制品有限公司			
RJA45 8P8C TOP ENTRY PCB JACK		RJA45 8P8C TOP ENTRY PCB JACK			
, WITHOUT SHIELDED		, WITHOUT SHIELDED			
/PART NO.		DY9752-080810X-3111-L			
DO NOT SCALE DRAWING		DO NOT SCALE DRAWING			
SHEET		1 OF 1			
REV		A4			
A/O		A/O			