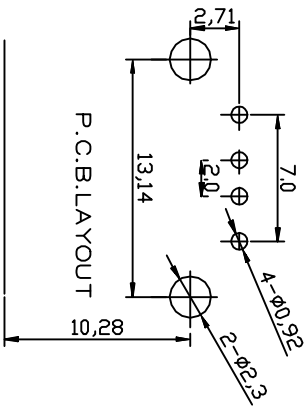
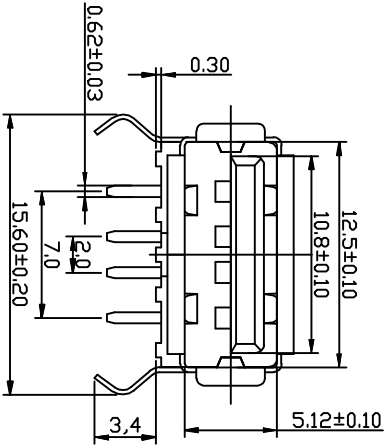
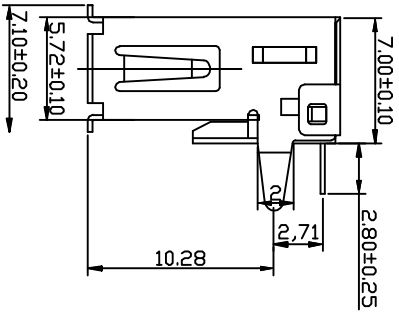
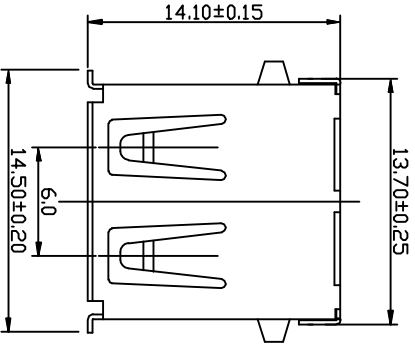


RoHS Compliant
2002/95/EC



Specification
 *Electrical Characteristics:
 Contact Current Rating:1 Amperes.
 Dielectric Withstanding Voltage:AC 500V R.M.S.
 Insulation Resistance:500MΩ Min.
 Contact Resistance:30mΩ Max.
 *Environmental:
 Operating Temperature:-40°C~+60°C.
 Mechanical Characteristics:
 Mating Force:3.57Kg Max.
 Umating Force:1.02Kg Min.
 *Material:
 Housing:PB1 UL 94V-0
 Contact:PHDSSPHDR BRONZE
 (t=0.25mm),plating Au1u"3u"5u"10u"
 15u"30u"
 Shell:SPCC(t=0.30mm),plating Ni over all

REV.	EGN.	NO.	APP.
X	3038	X	44
X	3039	X	42
X	3040	XX	
XXX	3040	XXX	
TOLERANCE UNSPECIFIED			

DR :	LYF	TITLE :	USB A/F DIP90°
CHK :		DATE :	2012/05/18
APP :		SHEET :	14
DAT :		UNITS :	MM
REV. :	A		