



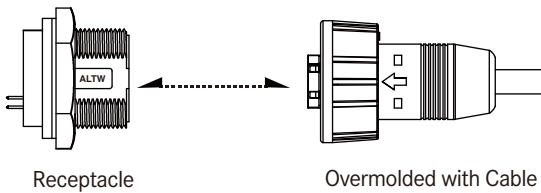
CATALOGUE

IEEE 1394 Connector

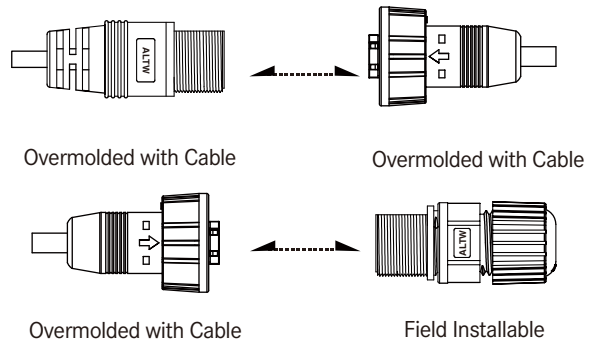


Range Overview

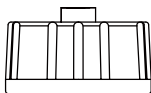
Receptacle to Overmolded with Cable



In-Line



Accessories



Waterproof Cap

Specification

Identifications	IEEE 1394
Description	Receptacle Overmolded with Cable Field Installable
Current Rating / Data	1A
Material	Contacts: Copper Alloy, Gold Plated Connector Body (Housing) : PBT UL94V-0
Waterproof Rating	Overmolded with Cable: IP67 Receptacle & Field Installable: IP68
Temperature Range	Receptacle: -20°C~80°C Overmolded with Cable: -20°C~80°C Field Installable: -20°C~80°C
Contact Resistance	≤ 30mΩ
Insulation Resistance	≥ 100MΩ at DC 100V
Durability	500 cycles
Dielectric Withstand Voltage	≥ AC 500V / 1 minute
More to know	Standard Cable Length: 01~04M

【Note】 Design and specification are subject to change without notice.

Ordering Information

1 — 2 3 4 5 6 — 7 8 9 10

Specification

(13) 1394 Connector

Type

(AA) 1394A

Connector Body (Style)

> For Receptacle

(P) Front Fastened

> For Field installable

(B) Without Strain Relief

> For Overmolded with Cable

(A) With Strain Relief

(B) Without Strain Relief

Connector (Housing) Gender

(M) Male Connector

(F) Female Connector

Contact Gender

(M) Male (Plug)

(F) Female (Jack)

Assemble Style

> For Receptacle

(P) 180° PCB Type

> For Overmolded with Cable

(M) Overmolded with Cable

> For Field Installable

(A) Field installable (Solder)

Mating Style

(S) Screw Thread

Backshell

> For Receptacle

(C) Circular

> For Field Installable

(L) Straight

> For Overmolded with Cable

(L) Straight

Waterproof Rating

(7) IP 67

(8) IP 68

More Information

> For Receptacle

(001) Without Cable

 (002) With Cable (Harness
 (50mm))

> For Overmolded with Cable

(□)+(■) : Cable Type + Cable Length

e.g. (A01) = 1394A Cable + 1M

(□) : Cable Type

(A) 1394A Cable

(■) : Cable Length

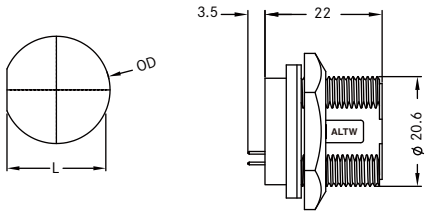
From 1M to 4M

e.g. (01) = 1M

Physical Dimension

Receptacle

Panel Cut-Out Connector Dimension



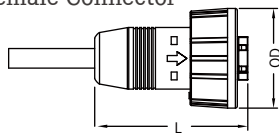
Type	Dimension	L	OD
Connector Gender		Male	
IEEE 1394		19.4	20.8

* Maximum Panel Thickness: 4mm

Unit: mm

Overmolded with Cable

Female Connector

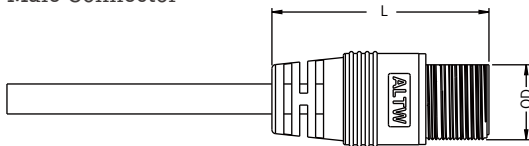


Without Strain Relief

Type	Dimension	L		OD	
Connector Gender		Female	Male	Female	Male
IEEE 1394		39.0	55.0	25.4	19.0

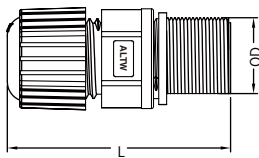
Unit: mm

Male Connector



With Strain Relief

Field Installable

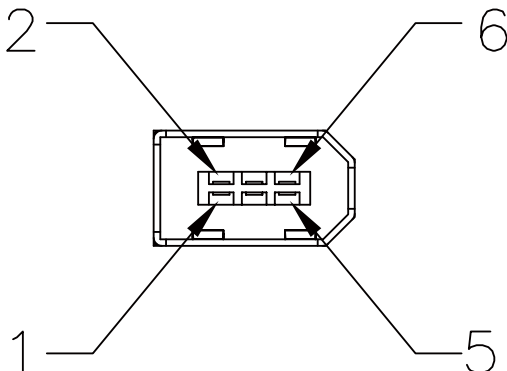


Without Strain Relief / Straight

Type	Dimension	L		OD	
Connector Gender		Female	Male	Female	Male
IEEE 1394		-	56.5	-	19.0

Unit: mm

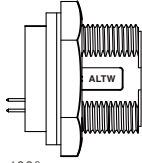
Contact Configuration



[Note] Design and specification are subject to change without notice.

Product Features

Receptacle



* PCB Pin 180°

Backshell 8



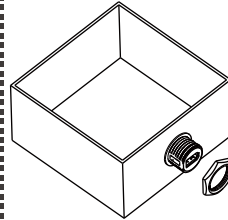
Circular (C)

Mating Style 7



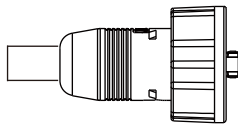
Screw Thread (S)

Connector Body(Style) 3

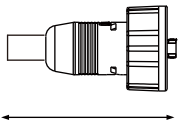


Front Fastened (P)

Overmolded with Cable



Backshell 8



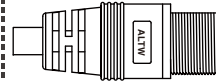
Straight
(L)

Mating Style 7

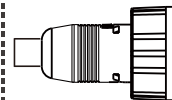


Screw Thread (S)

Connector Body(Style) 3

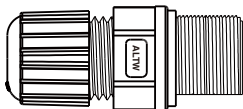


With Strain Relief (A)

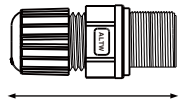


Without Strain Relief (B)

Field Installable



Backshell 8



Straight
(L)

Mating Style 7



Screw Thread (S)

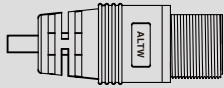
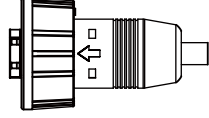
Connector Body(Style) 3



Without Strain Relief (B)

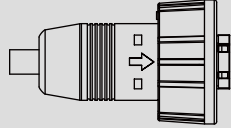
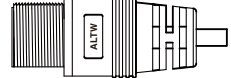
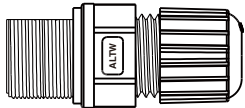
Find Our Standard Products

↘ In-Line

<ul style="list-style-type: none"> • Male Connector (Housing) • Female Contacts • Screw Thread 	Overmolded with Cable	Overmolded with Cable	Field Installable
			
Code	Male Connector (M) Female Contacts (F)	Female Connector (F) Male Contacts (M)	Female Connector (F) Male Contacts (M)
IEEE 1394 A Type (13)	13-AAAMFM-SL7A XX *	13-AABFMM-SL7A XX *	-

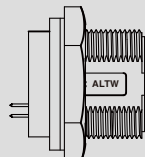
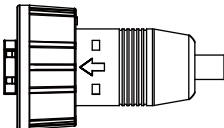
* ~~XX~~: Choose the cable length from 01~04m

↘ In-Line

<ul style="list-style-type: none"> • Female Connector (Housing) • Male Contacts • Screw Thread 	Overmolded with Cable	Overmolded with Cable	Field Installable
			
Code	Female Connector (F) Male Contacts (M)	Male Connector (M) Female Contacts (F)	Male Connector (M) Female Contacts (F)
IEEE 1394 A Type (13)	13-AABFMM-SL7A XX *	13-AAAMFM-SL7A XX *	13-AABMFA-SL8001

* ~~XX~~: Choose the cable length from 01~04m

↘ Receptacle and Mating Pair

<ul style="list-style-type: none"> • Male Connector (Housing) • Female Contacts • Screw Thread 	Receptacle	Overmolded with Cable	Field Installable
			
Code	Male Connector (M) Female Contacts (F)	Female Connector (F) Male Contacts (M)	Female Connector (F) Male Contacts (M)
IEEE 1394 A Type (13)	13-AAPMFP-SC8001	13-AABFMM-SL7A XX *	-

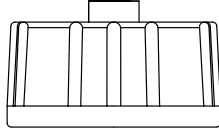
* ~~XX~~: Choose the cable length from 01~04m

[Note] Design and specification are subject to change without notice.

Accessories

Waterproof Cap

■ Customization – Upon Request



6 More to choose: None (A) / With Chain (B) / With Rubber Lead (C) / With Fish Line (D)

Type	Mating Pair	Mating Style	Mating Pair (Gender)	P/N
IEEE 1394	Receptacle	Screw Thread	Male	CAP-WACMSP 6 1
	Receptacle and Overmolded with Cable	Screw Thread	Male	CAP-WACMSMA1

Amphenol LTW Technology Co., Ltd.

5F-3, No.51, Sec.4, Zhongyang Rd., Tucheng Dist., New Taipei City 236, Taiwan
Telephone: +886-2-77416888 Fax: +886-2-77416999
www.amphenolltw.com

Kunshan Factory

No. 62, DaTong Road, Development Zone, Kunshan City, JiangSu Province, 215333 China
Telephone: +86-512-5761-0501
Fax: : +86-512-5761-0515

For further information, please contact :

Sales & Marketing Department | Email : sales@ltw-tech.com