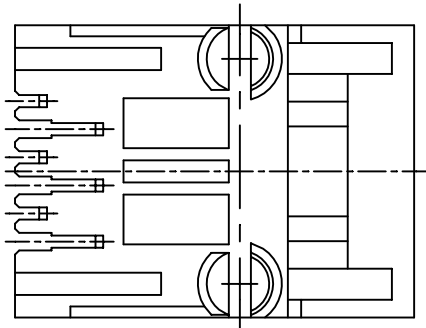
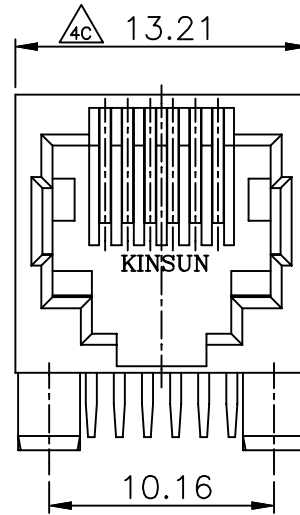
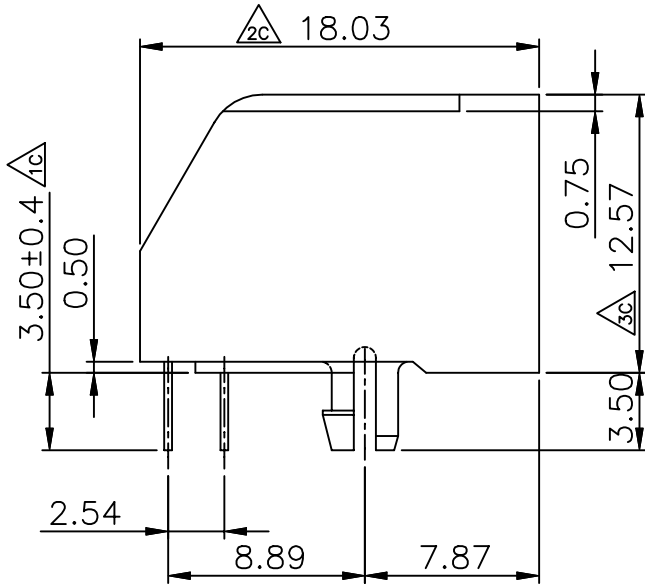


MATERIALS:

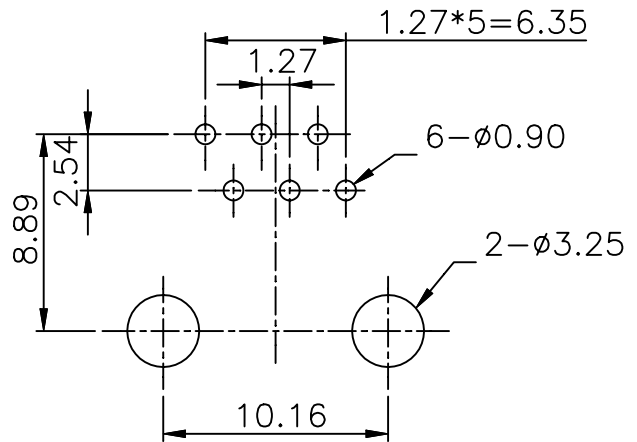
PLASTIC HOUSING: ENGINEERING THERMOPLASTIC
 FLAMMABILITY RATING UL 94V-0.

CONTACTS: PHOSPHOR BRONZE

PLATING: GOLD PLATING OVER NICKEL IN CONTACT.
 TIN PLATING OVER NICKEL IN SOLDER AREA.



PCB LAYOUT/TOP VIEW



凡標記號者為管制量測尺寸

BOM NO.:

- 6u" 3019483900
- 15u" 3019484300
- 30u" 3019484700
- 50u" 3019485100

設計 DR. Andy 88-11-23	核准 APPD. Jerry	容許公差 .XXX ±0.10 .XX ±0.25 .X ±0.38 X ±0.50 ANG ±3°	TOLERANCE	品名 ARTICLE SIDE ENTRY PCB JACK(6P6C)
版本說明 REVISION NOTE 修改 1c 尺寸 3.50				圖號 DWG NO. 3019483900
				單位 UNIT mm 比例 SCALE 3/1 張數 SHEET 1/1 版本 REV. B