

Mini Pitch 1250 SERIES CONNECTOR



1.25 mm Pitch Wire-to-Board Connector

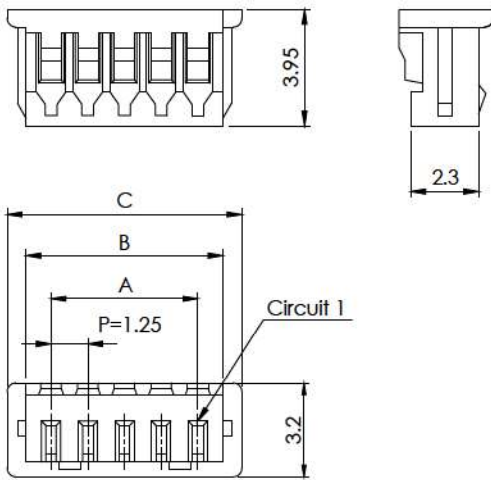


Specifications

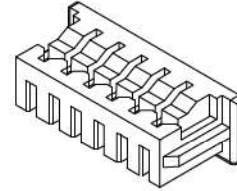
- ◇ Current rating: 1A AC/DC Max.
- ◇ Voltage Range: 125V AC,DC
- ◇ Withstand Voltage: 250V AC/Minute
- ◇ Contact Resistance: 20 mΩ Max. before environment test
- ◇ Insulation Resistance: 100 MΩ Min.
- ◇ Temperature Range: -40° C to 85° C

Reference

- ◇ Mates with 1251P, 1252P series Single-Row Header
- ◇ Use with 1253T series Crimp Terminal
- ◇ Certifications: UL, CSA
- ◇ Applicable wire gauge: AWG 26 - 32



1250S Single-Row Plug Housing



Ordering Information

Circuits	Part No.	Dimension		
		A	B	C
2	1250S02 03	1.25	2.95	4.25
3	1250S03 03	2.50	4.20	5.50
4	1250S04 03	3.75	5.45	6.75
5	1250S05 03	5.00	6.70	8.00
6	1250S06 03	6.25	7.95	9.25
7	1250S07 03	7.50	9.20	10.50
8	1250S08 03	8.75	10.45	11.75
9	1250S09 03	10.00	11.70	13.00
10	1250S10 03	11.25	12.95	14.25
11	1250S11 03	12.50	14.20	15.50
12	1250S12 03	13.75	15.45	16.75
13	1250S13 03	15.00	16.70	18.00
14	1250S14 03	16.25	17.95	19.25
15	1250S15 03	17.50	19.20	20.50

※ Color Identification: the following alphabet shall be added.
ex. 1250S 15 03- B

15... Circuit no.

B... Black, R... Red, M... Green, E... Blue,

※ Material: PBT-GF 94V-0, White (natural color)

※ P/N for Halogen-Free replacement:

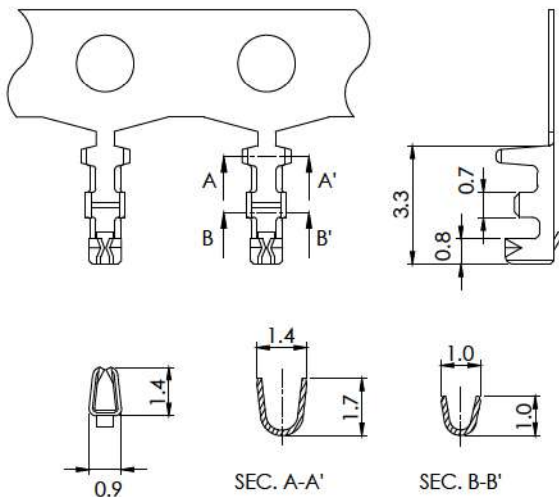
ex. 1250S1503 - S NH

-S... white (natural)

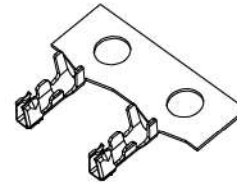
NH... Halogen-free

Reference

- ◇ Use with 1250S series single-row Plug Housing



1253T Crimp Terminal



Ordering Information

Part No.	Applicable Wire		
	AWG #	Insulation O.D. mm	Q'ty / Reel
1253T011R	26 - 32	1.0 Max.	15,000

Material

Part No.	Material / Finish
1253T011R	Phosphor bronze Tin-plated

Mini Pitch 1250 SERIES CONNECTOR



1.25 mm Pitch Wire-to-Board Connector

RoHS REACH LF HFA GWT

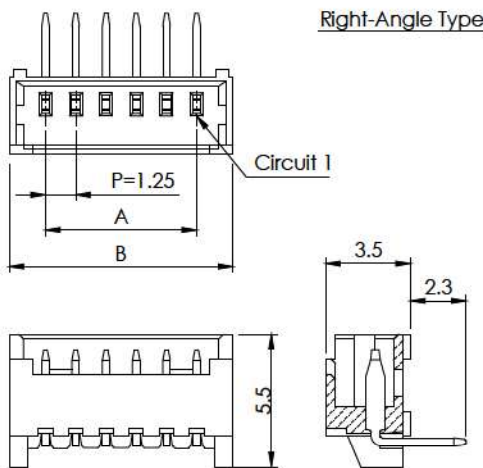
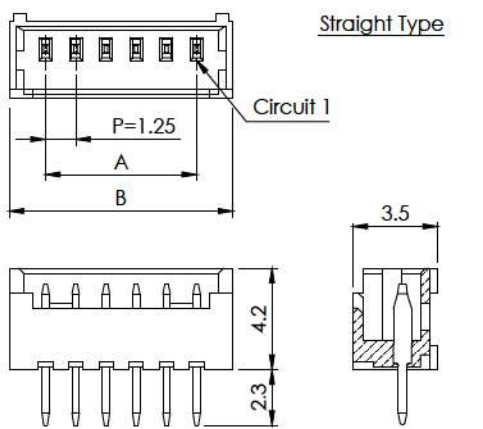
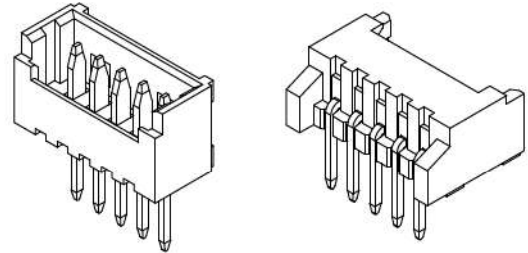
1251P, 1252P DIP Header

Specifications

- ◇ Current rating: 1A AC/DC Max.
- ◇ Voltage Range: 125V AC,DC
- ◇ Withstand Voltage: 250V AC/Minute
- ◇ Contact Resistance: 20 mΩ Max. before environment test
- ◇ Insulation Resistance: 100 MΩ Min.
- ◇ Temperature Range: -40° C to 85° C

Reference

- ◇ Mates with 1250S series Single-Row Plug Housing
- ◇ Certifications: UL, CSA
- ◇ GWT 750° C rated product is available



Ordering Information

Circuits	Part No.		Dimension	
	Straight	Right-Angle	A	B
2	1251P0200T	1252P0200T	1.25	4.3
3	1251P0300T	1252P0300T	2.50	5.5
4	1251P0400T	1252P0400T	3.75	6.8
5	1251P0500T	1252P0500T	5.00	8.0
6	1251P0600T	1252P0600T	6.25	9.3
7	1251P0700T	1252P0700T	7.50	10.5
8	1251P0800T	1252P0800T	8.75	11.8
9	1251P0900T	1252P0900T	10.00	13.0
10	1251P1000T	1252P1000T	11.25	14.3
11	1251P1100T	1252P1100T	12.50	15.5
12	1251P1200T	1252P1200T	13.75	16.8
13	1251P1300T	1252P1300T	15.00	18.0
14	1251P1400T	1252P1400T	16.25	19.3
15	1251P1500T	1252P1500T	17.50	20.5

Material

Part	Material / Finish
Base	Glass-filled Nylon 66 94V-0, Light ivory color
Contact	Phosphor bronze, Matte tin-plated

※ Color Identification: the following alphabet shall be put,

ex. 1251P 15 00 T - B

ex. 1252P 15 00 T - B

15... Circuit no.,

T... Matte tin-plated, I... Gold flash-plated

B... Black, M... Green, E... Blue, W... Brown, R... Red color

※ P/N for Halogen-Free replacement:

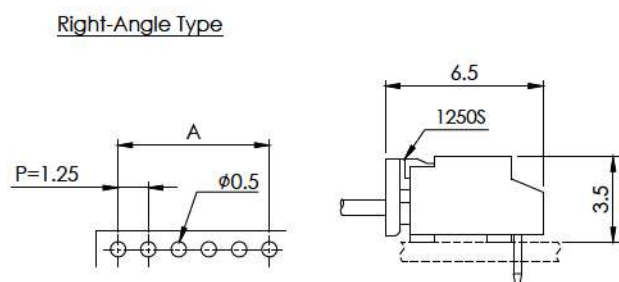
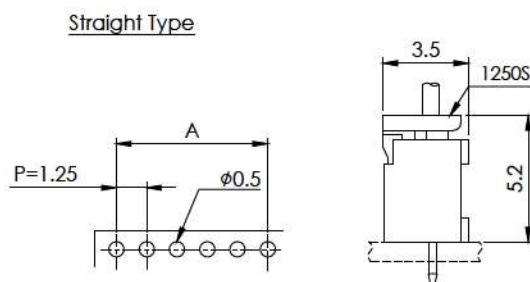
ex. 1251P 15 00 T - S NH

ex. 1252P 15 00 T - S NH

S... light ivory (base color),

NH... Halogen-free

P.C. Board Layout / Assembly Layout



Mini Pitch 1250 SERIES CONNECTOR



1.25 mm Pitch Wire-to-Board Connector

RoHS REACH LF HFA GWT

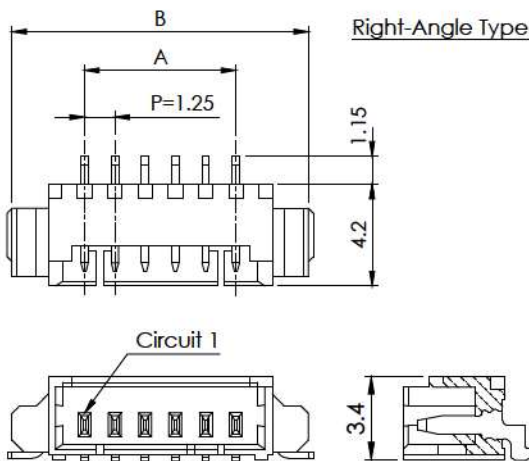
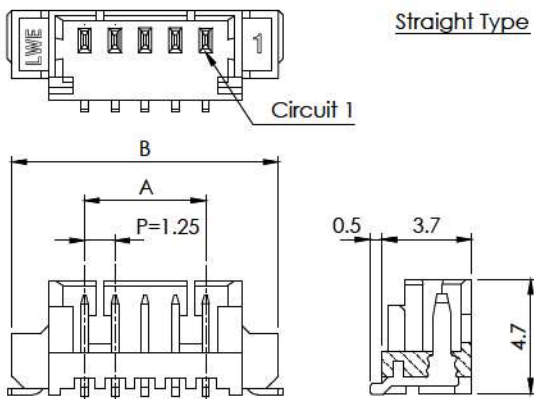
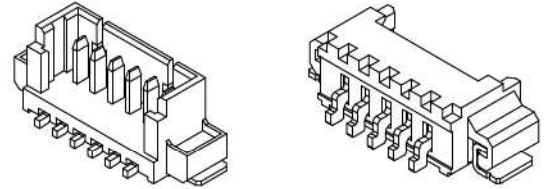
1251P, 1252P SMT Header

Specifications

- ◇ Current rating: 1A AC/DC Max.
- ◇ Voltage Range: 125V AC,DC
- ◇ Withstand Voltage: 250V AC/Minute
- ◇ Contact Resistance: 20 mΩ Max. before environment test
- ◇ Insulation Resistance: 100 MΩ Min.
- ◇ Temperature Range: -40° C to 85° C

Reference

- ◇ Mates with 1250S series Single-Row series Plug Housing
- ◇ Certifications: UL, CSA
- ◇ GWT 850° C rated product is available



Ordering Information: REFLOW SOLDER SERIES

Circuits	Part No.		Dimension	
	Straight	Right-Angle	A	B
2	1251P0210T	1252P0210T	1.25	7.3
3	1251P0310T	1252P0310T	2.50	8.5
4	1251P0410T	1252P0410T	3.75	9.8
5	1251P0510T	1252P0510T	5.00	11.0
6	1251P0610T	1252P0610T	6.25	12.3
7	1251P0710T	1252P0710T	7.50	13.5
8	1251P0810T	1252P0810T	8.75	14.8
9	1251P0910T	1252P0910T	10.00	16.0
10	1251P1010T	1252P1010T	11.25	17.3
11	1251P1110T	1252P1110T	12.50	18.5
12	1251P1210T	1252P1210T	13.75	19.8
13	1251P1310T	1252P1310T	15.00	21.0
14	1251P1410T	1252P1410T	16.25	22.3
15	1251P1510T	1252P1510T	17.50	23.5

Material

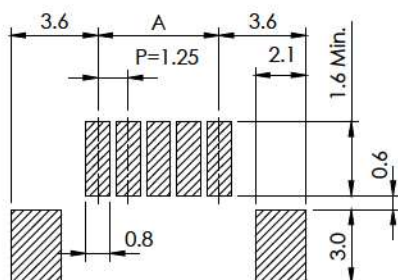
Part	Material / Finish
Base	HIGH HDT Nylon-GF 94V-0, Ivory color
Contact, Peg	Phosphor bronze, Matte tin-plated

※ Color Identification: the following alphabet shall be put,
 ex. 1251P 15 10 I - B
 ex. 1252P 15 10 I - B
 15... Circuit no.
 T... Matte tin-plated, I... Gold flash-plated
 B... Black, E... Blue, R... Red color

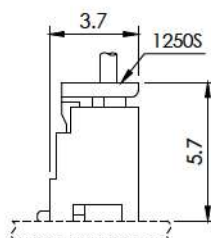
※ P/N for Halogen-Free replacement:
 ex. 1251P 15 10 I - S NH
 ex. 1252P 15 10 I - S NH
 S... Ivory (base color),
 NH... Halogen-free

※ SMT Embossed Tape Packing Information:
 Q' ty per 330 mm Dia. Panel: 1,000 PCS

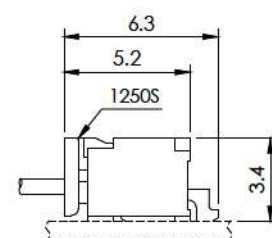
P.C. Board Layout / Assembly Layout



Straight Type



Right-Angle Type



Mini Pitch 1250 SERIES CONNECTOR



1.25 mm Pitch Wire-to-Board Connector



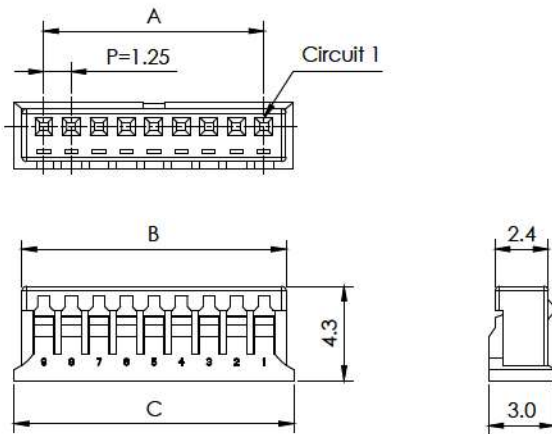
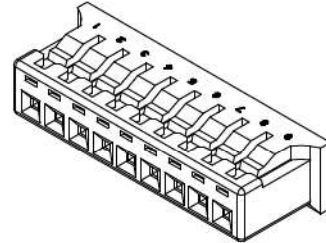
Specifications

- ◇ Current rating: 1A AC/DC Max.
- ◇ Voltage Range: 200V AC,DC
- ◇ Withstand Voltage: 500V AC/Minute
- ◇ Contact Resistance: 20 mΩ Max. before environment test
- ◇ Insulation Resistance: 100 MΩ Min.
- ◇ Temperature Range: -40° C to 70° C

Reference

- ◇ Mates with JAE IL-Z series Header
- ◇ Use with 1253TH series Crimp Terminal
- ◇ Certifications: refer to 1250S-H series
- ◇ Applicable wire gauge: AWG 28 - 32

1250S Plug Housing (Type H)



Ordering Information

Circuits	Part No.	Dimension		
		A	B	C
7	1250S07 H1-W	7.5	9.5	10.2
9	1250S09 H1-W	10.0	12.0	12.7
15	1250S15 H1-W	17.5	19.5	20.2

Material

Part	Material
Housing	Glass-filled Nylon 66 94V-0, Brown color

※ Color Identification: the following alphabet shall be put, ex. 1250S 07 H1 - W

07... Circuit no.

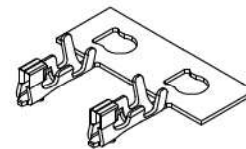
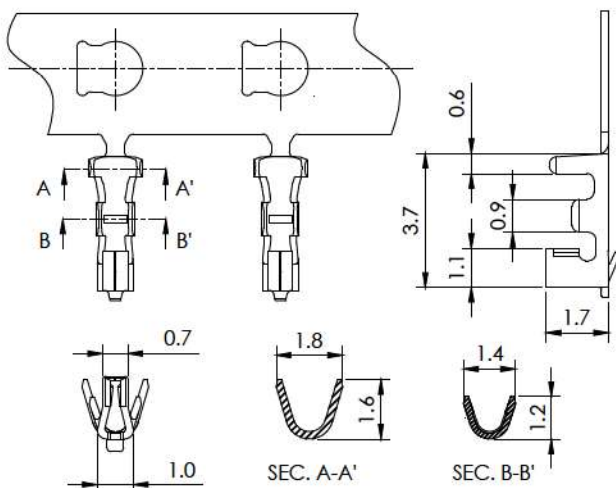
W... Brown, R... Red, M... Green, E... Blue color

※ Contact sales for available P/N up to date.

Reference

- ◇ Use with 1250S Type-H series single-row Plug Housing

1253TH Crimp Terminal



Ordering Information

Part No.	Applicable Wire		
	AWG #	Insulation O.D. mm	Q'ty / Reel
1253TH11R	28 - 32	0.9 Max.	20,000

Material

Part No.	Material / Finish
1253TH11R	Phosphor bronze Tin-plated

Mini Pitch 1250 SERIES CONNECTOR



1.25 mm Pitch Wire-to-Board Connector

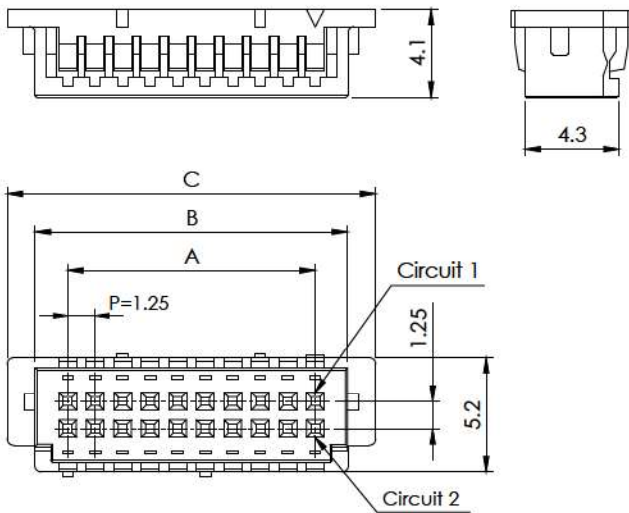


Specifications

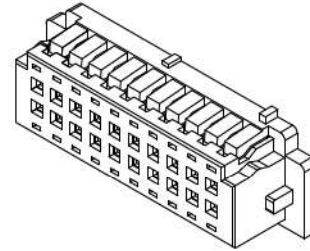
- ◇ Current rating: 1A AC/DC Max.
- ◇ Voltage Range: 150V AC,DC
- ◇ Withstand Voltage: 500V AC/Minute
- ◇ Contact Resistance: 30 mΩ Max. before environment test
- ◇ Insulation Resistance: 500 MΩ Min.
- ◇ Temperature Range: -35° C to 85° C

Reference

- ◇ Mates with 1251P series Dual-Row Header
- ◇ Use with 1253TD series Crimp Terminal
- ◇ Certifications: refer to 1250S series
- ◇ Applicable wire gauge: AWG 26 - 30



1250S Dual-Row Plug Housing (Type D)



Ordering Information

Circuits	Part No.	Dimension		
		A	B	C
10	1250S10D0	5.00	8.0	10.4
20	1250S20D0	11.25	14.3	16.7
30	1250S30D0	17.50	20.5	22.9
40	1250S40D0	23.75	26.8	29.2
50	1250S50D0	30.00	33.0	35.4

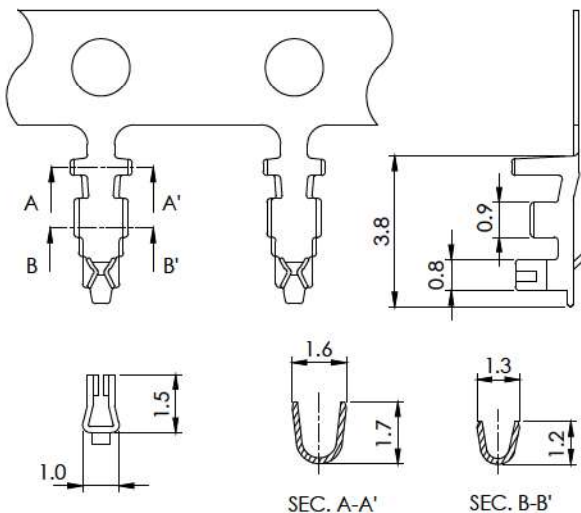
Material

Part	Material
Housing	Nylon 66 94V-0, Brown color

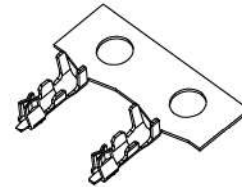
※ Color Identification: the following alphabet shall be put,
 ex. 1250S 50 D0- B
 50... Circuit no.
 B... Black, R... Red, M... Green, E... Blue color

Reference

- ◇ Use with 1250S series dual-row Plug Housing



1253TD Crimp Terminal



Ordering Information

Part No.	Applicable Wire		Q'ty / Reel
	AWG #	Insulation O.D. mm	
1253TD11R	26 - 30	1.0 Max.	10,000

Material

Part No.	Material / Finish
1253TD11R	Phosphor bronze Tin-plated

Mini Pitch 1250 SERIES CONNECTOR



1.25 mm Pitch Wire-to-Board Connector

RoHS REACH LF HFA GWT

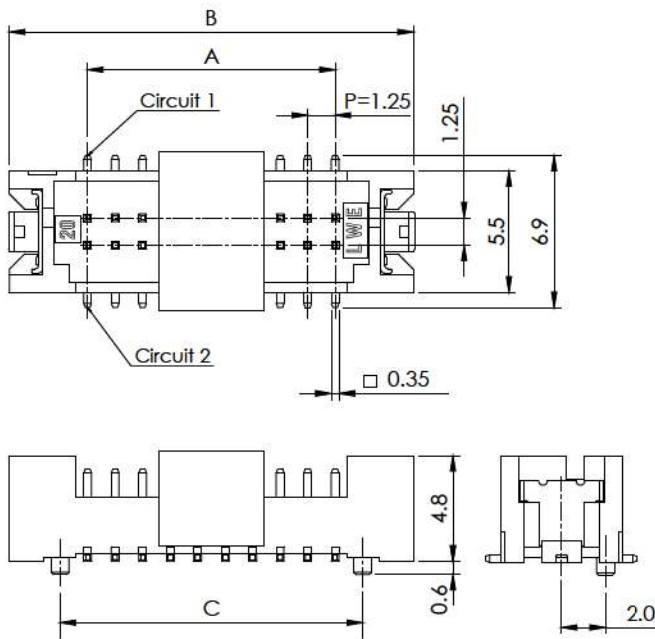
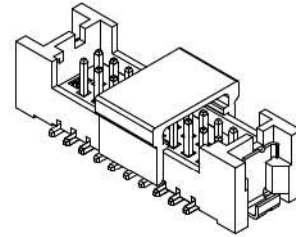
Specifications

- ◇ Current rating: 1A AC/DC Max.
- ◇ Voltage Range: 150V AC,DC
- ◇ Withstand Voltage: 500V AC/Minute
- ◇ Contact Resistance: 30 mΩ Max. before environment test
- ◇ Insulation Resistance: 500 MΩ Min.
- ◇ Temperature Range: -35° C to 85° C

Reference

- ◇ Mates with 1250S series Dual-Row Plug Housing
- ◇ Certifications: refer to 1250S series
- ◇ GWT 850° C rated product is available

1251P Dual-Row SMT Header (Type D)



Ordering Information: REFLOW SOLDER SERIES

Circuits	Part No.		Dimension		
	Re-flow Tin Contact Pin	Gold flash Contact Pin	A	B	C
10	1251P10D0T	1251P10D01	5.00	12.10	7.50
20	1251P20D0T	1251P20D01	11.25	18.35	13.75
30	1251P30D0T	1251P30D01	17.50	24.60	20.00
40	1251P40D0T	1251P40D01	23.75	30.85	26.25
50	1251P50D0T	1251P50D01	30.00	37.10	32.50

Material

Part	Material / Finish
Base	HIGH HDT Nylon-GF 94V-0, Ivory color
Contact	Brass, Re-flow tin-plated
Metal Peg	Phosphor bronze, Matte tin-plated

※ Color Identification: the following alphabet shall be put,
 ex. 1251P 50 D0 T - B
 50... Circuit no.
 T... Tin-plated (re-flow), 1... Gold flash-plated
 B... Black, E... Blue, R... Red color

※ P/N for Halogen-Free replacement:
 ex. 1251P 50 D0 T - S NH
 S... Ivory (base color),
 NH... Halogen-free

※ SMT Embossed Tape Packing Information:
 Q' ty per 330 mm Dia. Panel: 1,000 PCS

P.C. Board Layout / Assembly Layout

