

# Mini Pitch 1500 SERIES CONNECTOR



1.5 mm Pitch Wire-to-Board Connector

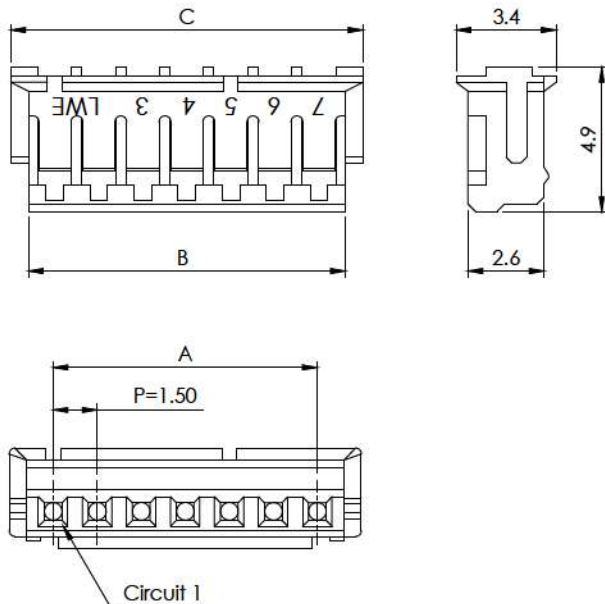


## Specifications

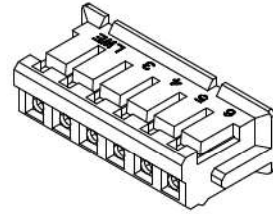
- ◇ Current rating: 1A AC/DC (AWG 28)
- ◇ Voltage Range: 50V AC,DC
- ◇ Withstand Voltage: 500V AC/Minute
- ◇ Contact Resistance: 20 mΩ Max. before environment test
- ◇ Insulation Resistance: 500 MΩ Min.
- ◇ Temperature Range: -25° C to 85° C

## Reference

- ◇ Mates with 1501P, 1502P series Single-Row Header
- ◇ Use with 1503T series Crimp Terminal
- ◇ Certifications: UL, CSA



## 1500S Single-Row Plug Housing



## Ordering Information

Circuits	Part No.	Dimension		
		A	B	C
2	1500S0200	1.5	3.3	4.5
3	1500S0300	3.0	4.8	6.0
4	1500S0400	4.5	6.3	7.5
5	1500S0500	6.0	7.8	9.0
6	1500S0600	7.5	9.3	10.5
7	1500S0700	9.0	10.8	12.0
8	1500S0800	10.5	12.3	13.5
9	1500S0900	12.0	13.8	15.0
10	1500S1000	13.5	15.3	16.5
11	1500S1100	15.0	16.8	18.0
12	1500S1200	16.5	18.3	19.5
13	1500S1300	18.0	19.8	21.0

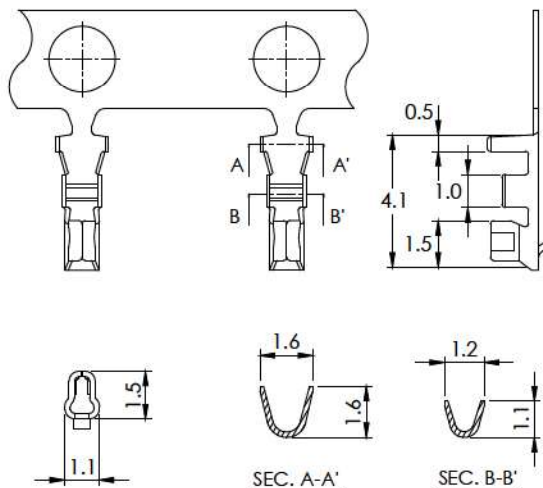
## Material

Part	Material / Finish
Housing	Nylon 66 94V-0, White (natural)

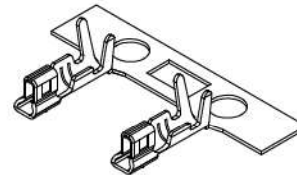
※ Color Identification: the following alphabet shall be put  
 ex. 1500S 13 00 - B  
 13... Circuit no., B... Black, R... Red, E... Blue, W... Brown

## Reference

- ◇ Use with 1500S series single-row Plug Housing



## 1503T Crimp Terminal



## Ordering Information

Part No.	Applicable Wire		Q'ty / Reel
	AWG #	Insulation O.D. mm	
1503T011R	28 - 32	0.9 Max.	15,000

## Material

Part No.	Material / Finish
1503T011R	Phosphor bronze Tin-plated

# Mini Pitch 1500 SERIES CONNECTOR



1.5 mm Pitch Wire-to-Board Connector

ROHS REACH LF HFA GWT

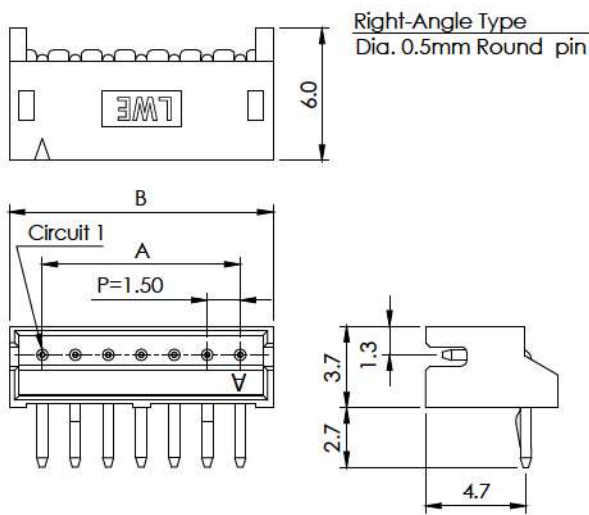
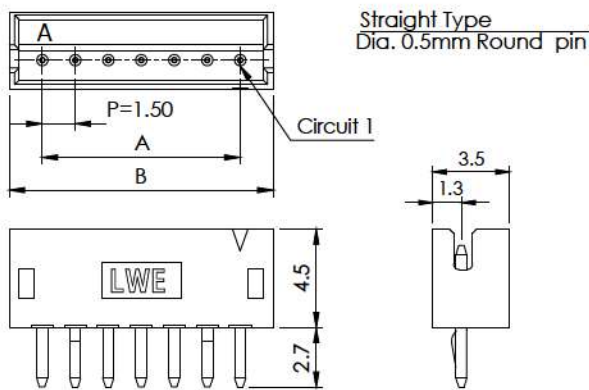
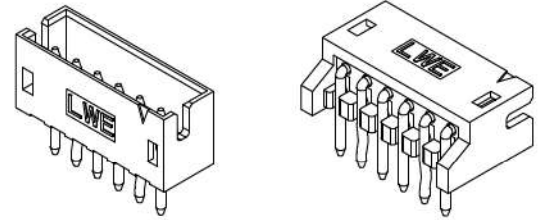
## Specifications

- ◇ Current rating: 1A AC/DC
- ◇ Voltage Range: 50V AC,DC
- ◇ Withstand Voltage: 500V AC/Minute
- ◇ Contact Resistance: 20 mΩ Max. before environment test
- ◇ Insulation Resistance: 500 MΩ Min.
- ◇ Temperature Range: -25° C to 85° C

## Reference

- ◇ Mates with 1500S series Single-Row Plug Housing
- ◇ Certifications: UL, CSA
- ◇ GWT 750° C rated product is available

## 1501P, 1502P DIP Header



## Ordering Information

Circuits	Part No.		Dimension	
	Straight	Right-Angle	A	B
2	1501P0200T	1502P0200T	1.5	4.5
3	1501P0300T	1502P0300T	3.0	6.0
4	1501P0400T	1502P0400T	4.5	7.5
5	1501P0500T	1502P0500T	6.0	9.0
6	1501P0600T	1502P0600T	7.5	10.5
7	1501P0700T	1502P0700T	9.0	12.0
8	1501P0800T	1502P0800T	10.5	13.5
9	1501P0900T	1502P0900T	12.0	15.0
10	1501P1000T	1502P1000T	13.5	16.5
11	1501P1100T	1502P1100T	15.0	18.0
12	1501P1200T	1502P1200T	16.5	19.5
13	1501P1300T	1502P1300T	18.0	21.0

## Material

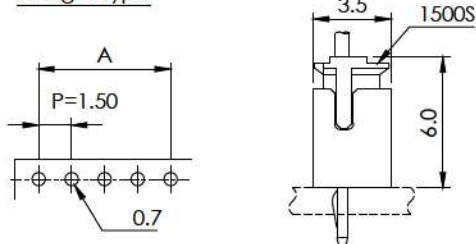
Part	Material / Finish
Base	Glass-filled Nylon-66 94V-0, Light ivory color
Contact	Brass, Re-flow tin-plated

- ※ Color Identification: the following alphabet shall be put  
ex. 1501P 13 00 I - B  
ex. 1502P 13 00 I - B  
B... Black, E... Blue, R... Red color  
13... Circuit no.  
T... Tin (re-flow), 1... Gold flash

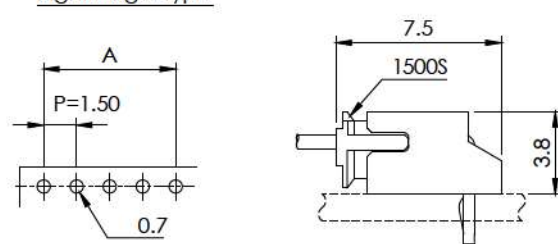
- ※ P/N for Halogen-Free replacement:  
ex. 1501P 13 00T-S NH  
ex. 1502P 13 00T-S NH  
S... Light ivory (base color)  
NH... Halogen-Free

## P.C. Board Layout / Assembly Layout

### Straight Type



### Right-Angle Type





# Mini Pitch 1500 SERIES CONNECTOR



1.5 mm Pitch Wire-to-Board Connector

RoHS REACH LF HFA GWT

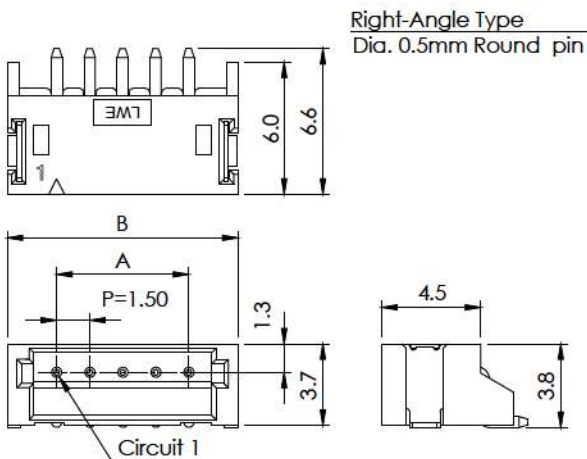
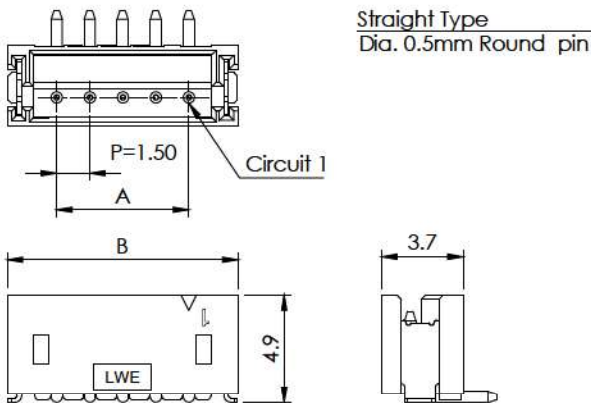
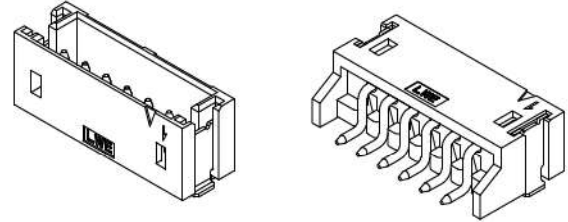
## 1501P, 1502P SMT Header

### Specifications

- ◇ Current rating: 1A AC/DC
- ◇ Voltage Range: 50V AC,DC
- ◇ Withstand Voltage: 500V AC/Minute
- ◇ Contact Resistance: 20 mΩ Max. before environment test
- ◇ Insulation Resistance: 500 MΩ Min.
- ◇ Temperature Range: -25° C to 85° C

### Reference

- ◇ Mates with 1500S series Single-Row Plug Housing
- ◇ Certifications: UL, CSA
- ◇ GWT 850° C rated product is available



### Ordering Information: REFLOW SOLDER SERIES

Circuits	Part No.		Dimension	
	Straight	Right-Angle	A	B
2	1501P02SOT	1502P02SOT	1.5	6.0
3	1501P03SOT	1502P03SOT	3.0	7.5
4	1501P04SOT	1502P04SOT	4.5	9.0
5	1501P05SOT	1502P05SOT	6.0	10.5
6	1501P06SOT	1502P06SOT	7.5	12.0
7	1501P07SOT	1502P07SOT	9.0	13.5
8	1501P08SOT	1502P08SOT	10.5	15.0
9	1501P09SOT	1502P09SOT	12.0	16.5
10	1501P10SOT	1502P10SOT	13.5	18.0
11	1501P11SOT	1502P11SOT	15.0	19.5
12	1501P12SOT	1502P12SOT	16.5	21.0
13	1501P13SOT	1502P13SOT	18.0	22.5

### Material

Part	Material / Finish
Base	HIGHHDT Nylon-GF 94V-0, Ivory Color
Contact	Brass, Re-flow tin-plated
Metal Peg	Brass, Matte tin-Plated

※ Color Identification: the following alphabet shall be put  
ex. 1501P 13 SOT- B , 1502P 13 SOT- B  
B... Black, E... Blue, R... Red color  
13... Circuit no.

※ P/N for Halogen-Free replacement:  
ex. 1501P 13 SOT-S NH , 1502P 13 SOT-S NH  
S... Ivory (base color)  
NH... Halogen-Free

※ SMT Embossed Tape Packing Information:  
Q' ty per 330 mm Dia. Panel: 1,000 PCS

### P.C. Board Layout / Assembly Layout

