

# 2.0 Pitch 2008 SERIES CONNECTOR



2.0 mm Pitch Board-In Connector

RoHS REACH LF HFA GWT

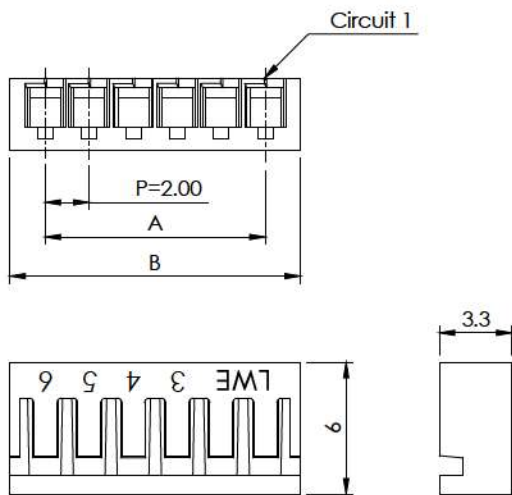
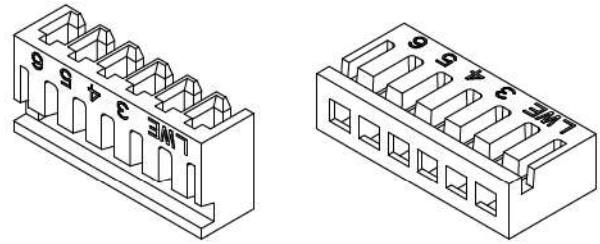
## Specifications

- ◇ Current rating: 2A AC/DC Max.
- ◇ Voltage Range: 250V AC,DC
- ◇ Withstand Voltage: 800V AC/Minute
- ◇ Contact Resistance: 10 mΩ Max. before environment test
- ◇ Insulation Resistance: 1000 MΩ Min.
- ◇ Temperature Range: -40° C to 85° C
- ◇ Applicable Wire Gauge: AWG 24 to AWG 28

## Reference

- ◇ Use with 2009T, 2019T series Crimp Terminal
- ◇ Certifications: UL, CSA, TUV
- ◇ GWT 750° C rated product is available
- ◇ Applicable wire gauge: AWG 24 - 28

## 2008S Board-In Housing



※ Color Identification: the following alphabet shall be put  
 ex. 2008S1500-B  
 15... Circuit no. B... black, R... red, E... blue,  
 Y... yellow, H... gray color

## Ordering Information

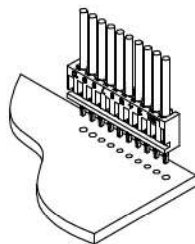
Circuits	Part No.	Dimension	
		A	B
2	2008S02 00	2.0	5.2
3	2008S03 00	4.0	7.2
4	2008S04 00	6.0	9.2
5	2008S05 00	8.0	11.2
6	2008S06 00	10.0	13.2
7	2008S07 00	12.0	15.2
8	2008S08 00	14.0	17.2
9	2008S09 00	16.0	19.2
10	2008S10 00	18.0	21.2
11	2008S11 00	20.0	23.2
12	2008S12 00	22.0	25.2
13	2008S13 00	24.0	27.2
14	2008S14 00	26.0	29.2
15	2008S15 00	28.0	31.2
16	2008S16 00	30.0	33.2

## Material

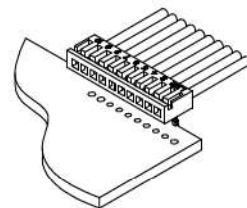
Part	Material / Finish
Housing	Nylon 66 94V-0, white (natural)

## Application

USED WITH 2009T

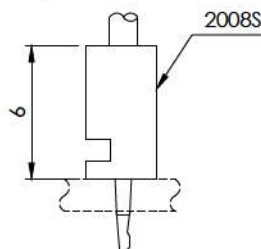
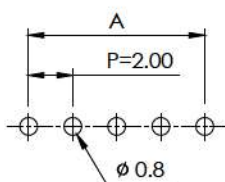


USED WITH 2019T

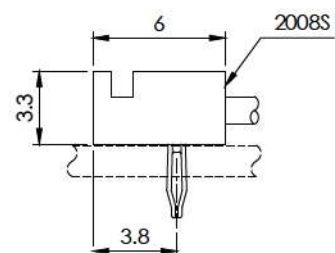


## P.C. Board Layout / Assembly Layout

### Straight Layout



### Right-angle Layout



# 2.0 Pitch 2008 SERIES CONNECTOR



2.0 mm Pitch Board-In Connector

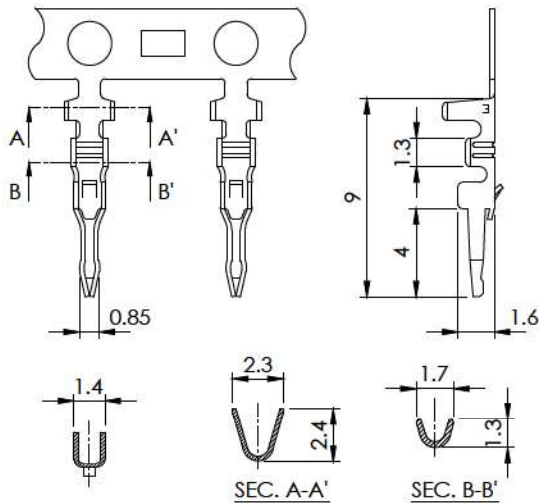


## ■ Specifications

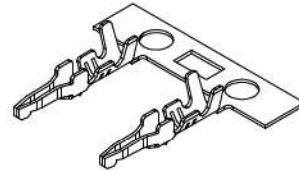
- ◇ Current rating: 2A AC/DC Max.
- ◇ Voltage Range: 250V AC,DC
- ◇ Contact Resistance: 10 mΩ Max. before environment test
- ◇ Temperature Range: -40° C to 85° C

## ■ Reference

- ◇ Use with 2008S series Board-In Housing



## 2009T Board-In Crimp Terminal



### Ordering Information

Part No.	Applicable Wire		Q'ty / Reel
	AWG #	Insulation O.D. mm	
2009T022R	24 - 28	1.3 Max.	10,000

### Material

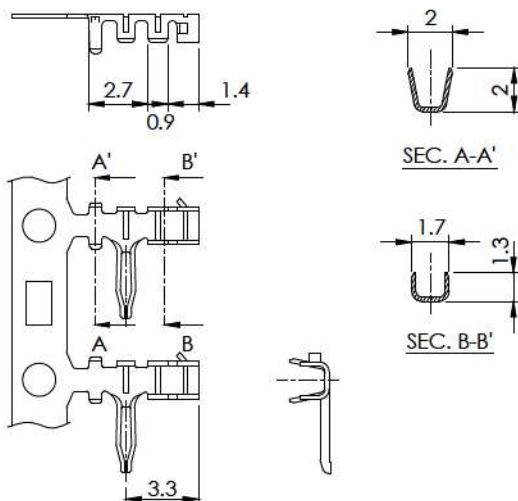
Part No.	Material / Finish
2009T022R	Brass, Tin-plated

## ■ Specifications

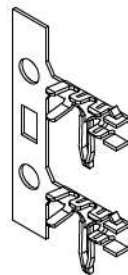
- ◇ Current rating: 2A AC/DC Max.
- ◇ Voltage Range: 250V AC,DC
- ◇ Contact Resistance: 10 mΩ Max. before environment test
- ◇ Temperature Range: -40° C to 85° C

## ■ Reference

- ◇ Use with 2008S series Board-In Housing



## 2019T Board-In Crimp Terminal



### Ordering Information

Part No.	Applicable Wire		Q'ty / Reel
	AWG #	Insulation O.D. mm	
2019T011R	24 - 28	1.3 Max.	15,000
2019T012R	24 - 28	1.3 Max.	15,000

### Material

Part No.	Material / Finish
2019T011R	Phosphor Bronze, Tin-plated
2019T012R	Brass, Tin-plated