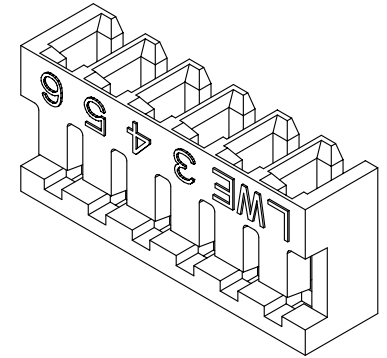
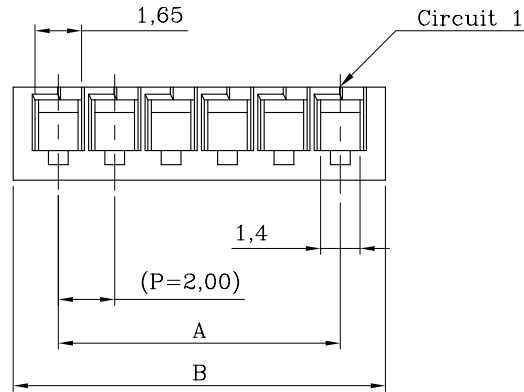
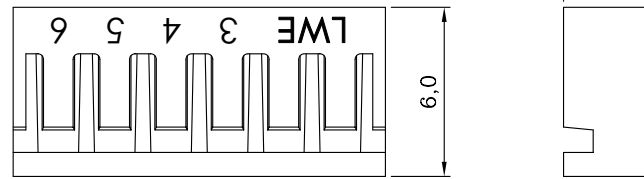


ORDER INFORMATION AND DIMENSION:

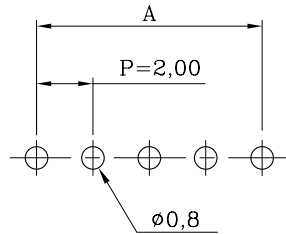
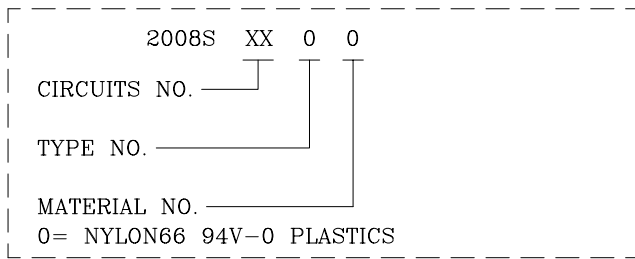
Circuits	Part No.	Dimension	
		A	B
2	2008S02 00	2.0	5.2
3	2008S03 00	4.0	7.2
4	2008S04 00	6.0	9.2
5	2008S05 00	8.0	11.2
6	2008S06 00	10.0	13.2
7	2008S07 00	12.0	15.2
8	2008S08 00	14.0	17.2
9	2008S09 00	16.0	19.2
10	2008S10 00	18.0	21.2
11	2008S11 00	20.0	23.2
12	2008S12 00	22.0	25.2
13	2008S13 00	24.0	27.2
14	2008S14 00	26.0	29.2
15	2008S15 00	28.0	31.2
16	2008S16 00	30.0	33.2



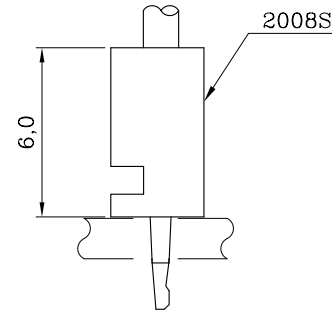
ISOMETRIC VIEW



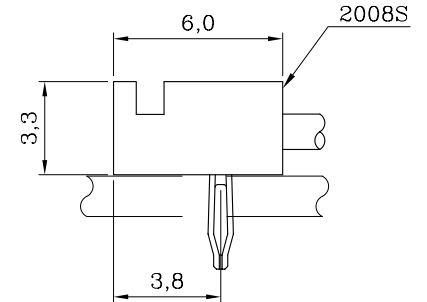
DESCRIPTION OF ORDER NO.:



P.C. BOARD LAYOUT



Straight Layout



Right-angle Layout

NOTES:

- MATERIAL:
BASE: NYLON66 94V-0, WHITE COLOR (NATURAL)
- USE WITH 2009T01XX SERIES CRIMP TERMINAL.
- USE WITH 2019T01XX SERIES CRIMP TERMINAL.
- DESCRIPTION OF COLOR CODE:
LEGEND: 2008SXX00-X (-X: COLOR CODE)
B=BLACK, C=COCONUT BROWN, D=ORANGE, E=BLUE, H=GRAY,
I=BRICK RED, K=PURPLE, L=LEMON YELLOW, M=GREEN,
P=PINK, R=RED, V=LAVENDER, W=BROWN, Y=YELLOW
- INFORMATION IN THIS DRAWING IS NOT CONSIDERED AS FINAL.



Sales Drawing



聯盈電子股份有限公司
LANDWIN ELECTRONIC CORP.

MATERIAL: SEE NOTES		PROJECTION		SCALE	UNIT	SHEET NO.	REV
FINISH(COLOR): SEE NOTES		FREE		FREE	MM	1 / 1	W1
		DRAWN		R.G.	DRAW NO.		
		CHECKED		J.L.Lin	(AQ) 2008SXX00		
		APPD		H.Y.Lin	TITLE:		
W1	NEW RELEASE	31-DEC-14'	ANGULAR $\pm 3^\circ$	DATE 31-DEC-14'	2.00 PITCH SINGLE-ROW BOARD-IN HOUSING		
REV.	REVISION RECORD	DATE					