

2.0 Pitch 2020 SERIES CONNECTOR



2.0 mm Pitch Wire-to-Board Connector

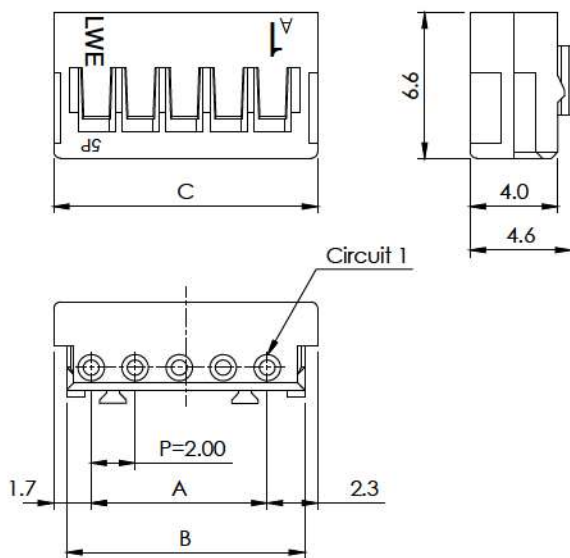


Specifications

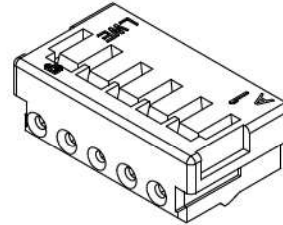
- ◇ Current rating: 4A AC/DC Max.
- ◇ Voltage Range: 125V AC,DC
- ◇ Withstand Voltage: 1000V AC/Minute
- ◇ Contact Resistance: 10 mΩ Max. before environment test
- ◇ Insulation Resistance: 1000 MΩ Min.
- ◇ Temperature Range: -30° C to 105° C

Reference

- ◇ Mates with 2021P, 2022P series Single-Row Header
- ◇ Use with 2023T series Crimp Terminal
- ◇ Certifications: UL, CSA
- ◇ Applicable wire gauge: AWG 22 - 26



2020S Single-Row Plug Housing



Ordering Information

Circuits	Part No.	Dimension		
		A	B	C
2	2020S0200	2.0	4.8	6.0
3	2020S0300	4.0	6.8	8.0
4	2020S0400	6.0	8.8	10.0
5	2020S0500	8.0	10.8	12.0
6	2020S0600	10.0	12.8	14.0
7	2020S0700	12.0	14.8	16.0
8	2020S0800	14.0	16.8	18.0
9	2020S0900	16.0	18.8	20.0
10	2020S1000	18.0	20.8	22.0
11	2020S1100	20.0	22.8	24.0
12	2020S1200	22.0	24.8	26.0
13	2020S1300	24.0	26.8	28.0
14	2020S1400	26.0	28.8	30.0
15	2020S1500	28.0	30.8	32.0

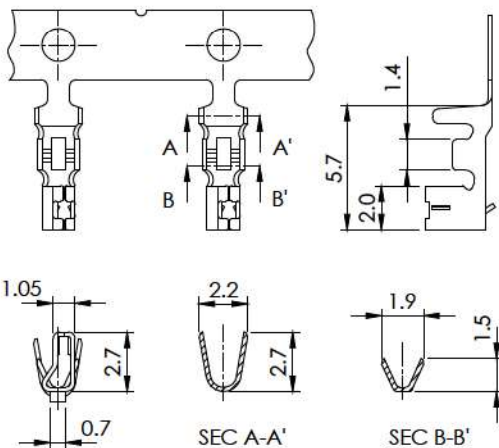
Material

Part	Material / Finish
Housing	Nylon 66 94V-0, White (natural)

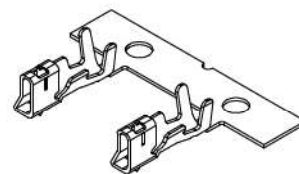
※ Color Identification: the following alphabet shall be put
 ex. 2020S15 00- B
 16... Circuit no.,
 B... Black, R... Red, M... Green, E... Blue, W... Brown

Reference

- ◇ Use with 2020S series Single-row Plug Housing



2023T Crimp Terminal



Ordering Information

Part No.	Applicable Wire		
	AWG #	Insulation O.D. mm	Q'ty / Reel
2023T011R	22 - 26	1.5 Max.	6,000

Material

Part No.	Material
2023T011R	Phosphor Bronze Tin-Plated

2.0 Pitch 2020 SERIES CONNECTOR



2.0 mm Pitch Wire-to-Board Connector

RoHS REACH LF HFA GWT

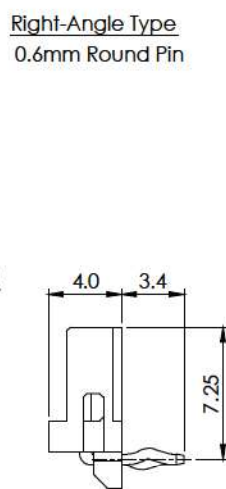
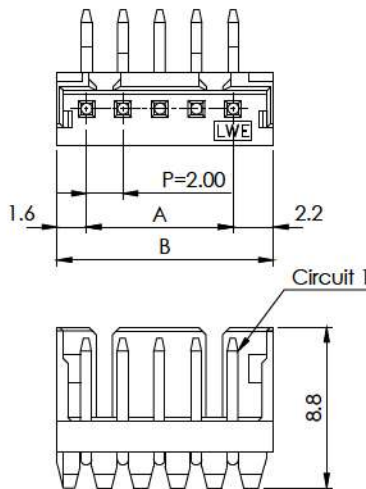
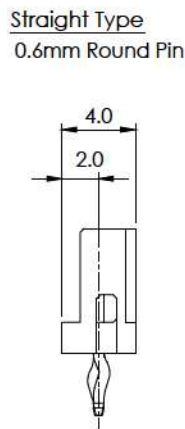
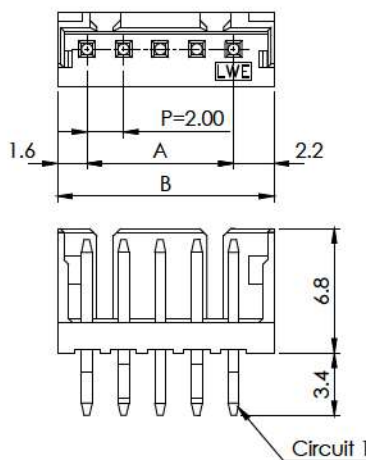
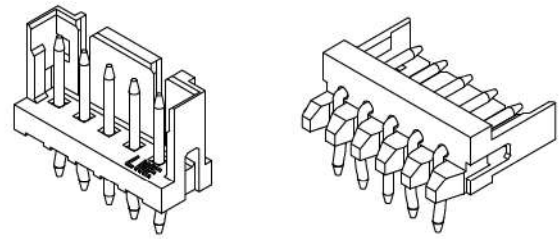
2021P, 2022P DIP Header

Specifications

- ◇ Current rating: 4A AC/DC Max.
- ◇ Voltage Range: 125V AC,DC
- ◇ Withstand Voltage: 1000V AC/Minute
- ◇ Contact Resistance: 10 mΩ Max. before environment test
- ◇ Insulation Resistance: 1000 MΩ Min.
- ◇ Temperature Range: -30° C to 105° C

Reference

- ◇ Mates with 2020S series Single-Row Plug Housing
- ◇ Certifications: UL, CSA
- ◇ GWT 750° C rated product is available



Ordering Information

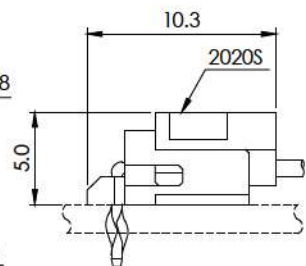
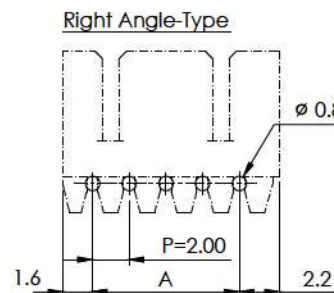
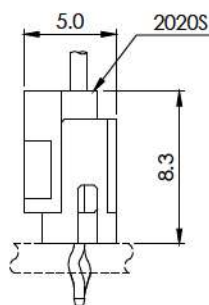
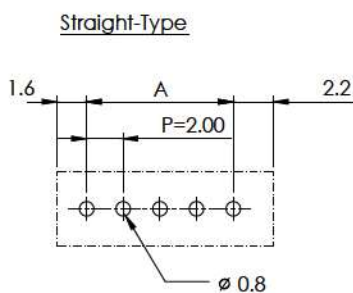
Circuits	Part No.		Dimension	
	Straight	Right-Angle	A	B
2	2021P0200T	2022P0200T	2.0	5.8
3	2021P0300T	2022P0300T	4.0	7.8
4	2021P0400T	2022P0400T	6.0	9.8
5	2021P0500T	2022P0500T	8.0	11.8
6	2021P0600T	2022P0600T	10.0	13.8
7	2021P0700T	2022P0700T	12.0	15.8
8	2021P0800T	2022P0800T	14.0	17.8
9	2021P0900T	2022P0900T	16.0	19.8
10	2021P1000T	2022P1000T	18.0	21.8
11	2021P1100T	2022P1100T	20.0	23.8
12	2021P1200T	2022P1200T	22.0	25.8
13	2021P1300T	2022P1300T	24.0	27.8
14	2021P1400T	2022P1400T	26.0	29.8
15	2021P1500T	2022P1500T	28.0	31.8

Material

Part	Material / Finish
Base	Nylon 66 94V-0, White (natural)
Contact	Brass, Re-flow tin-plated

※ Color Identification: the following alphabet shall be put,
 ex. 2021P15 00T- B
 ex. 2022P15 00T- B
 15... Circuit no.,
 B... Black, R... Red, M... Green, E... Blue, W... Brown color

P.C. Board Layout / Assembly Layout



2.0 Pitch 2020 SERIES CONNECTOR



2.0 mm Pitch Wire-to-Board Connector

RoHS REACH LF HFA GWT

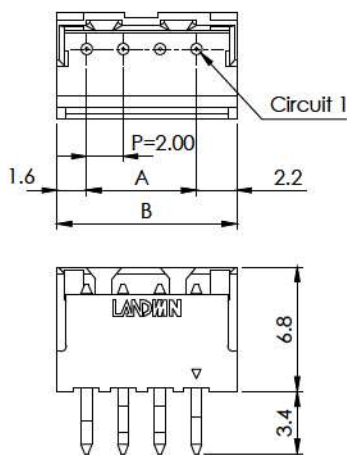
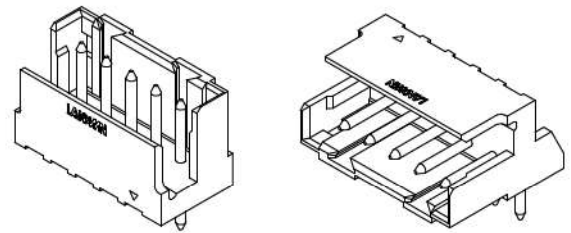
2021P, 2022P DIP Header

Specifications

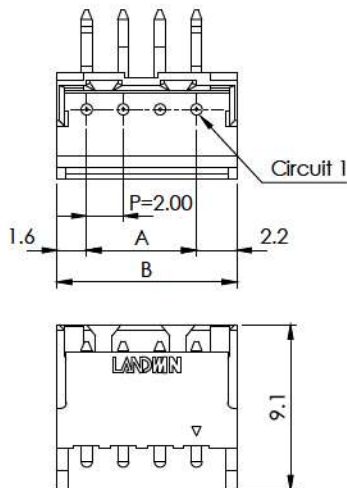
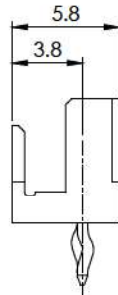
- ◇ Current rating: 4A AC/DC Max.
- ◇ Voltage Range: 125V AC,DC
- ◇ Withstand Voltage: 1000V AC/Minute
- ◇ Contact Resistance: 10 mΩ Max. before environment test
- ◇ Insulation Resistance: 1000 MΩ Min.
- ◇ Temperature Range: -30° C to 105° C

Reference

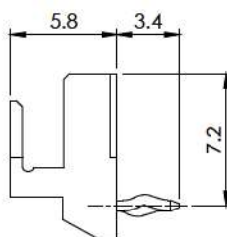
- ◇ Mates with 2020S series Single-Row Plug Housing
- ◇ Certifications: refer to 2020S series
- ◇ GWT 750° C rated product is available



Straight Type
0.6mm Round Pin



Right-Angle Type
0.6mm Round Pin



Ordering Information

Circuits	Part No.		Dimension	
	Straight	Right-Angle	A	B
2	2021P02A0T	2022P02A0T	2.0	5.8
3	2021P03A0T	2022P03A0T	4.0	7.8
4	2021P04A0T	2022P04A0T	6.0	9.8
5	2021P05A0T	2022P05A0T	8.0	11.8
6	2021P06A0T	2022P06A0T	10.0	13.8
7	2021P07A0T	2022P07A0T	12.0	15.8
8	2021P08A0T	2022P08A0T	14.0	17.8
9	2021P09A0T	2022P09A0T	16.0	19.8
10	2021P10A0T	2022P10A0T	18.0	21.8
11	2021P11A0T	2022P11A0T	20.0	23.8
12	2021P12A0T	2022P12A0T	22.0	25.8
13	2021P13A0T	2022P13A0T	24.0	27.8
14	2021P14A0T	2022P14A0T	26.0	29.8
15	2021P15A0T	2022P15A0T	28.0	31.8

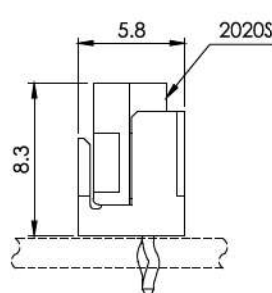
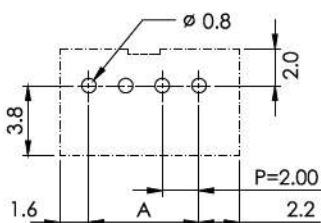
Material

Part	Material / Finish
Base	Nylon 66 94V-0, White (natural)
Contact	Brass, Re-flow tin-plated

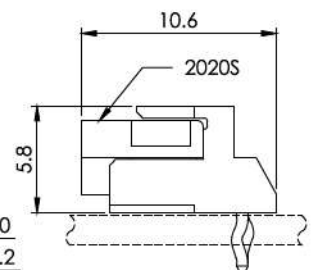
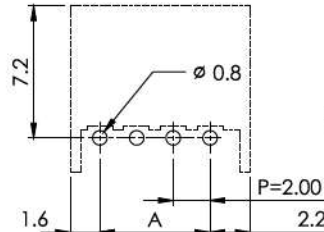
※ Color Identification: the following alphabet shall be put,
 ex. 2022P15 A0T- B
 ex. 2023P15 A0T- B
 15... Circuit no.
 B... Black, R... Red, M... Green, E... Blue, W... Brown
 Y... Yellow, P... pink, D... Orange, H... Gray

P.C. Board Layout / Assembly Layout

Straight Type



Right-Angle Type



2.0 Pitch 2020 SERIES CONNECTOR



2.0 mm Pitch Wire-to-Board Connector



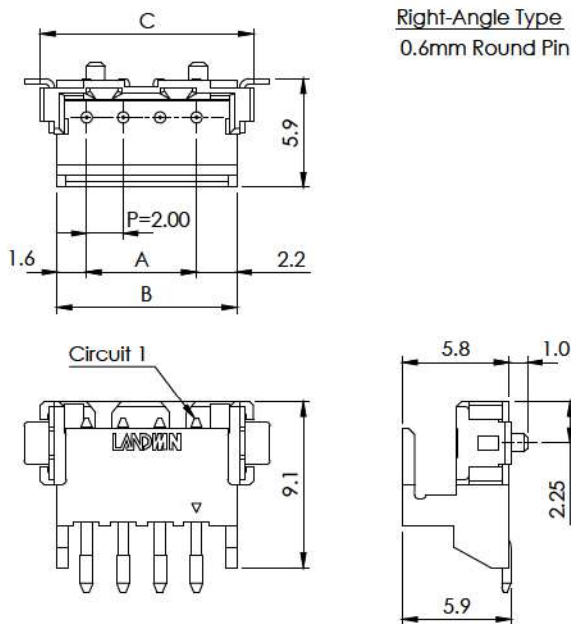
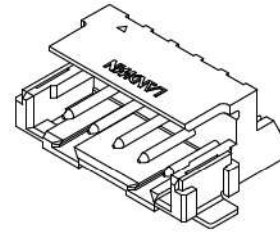
2021P, 2022P SMT Header

Specifications

- ◇ Current rating: 4A AC/DC Max.
- ◇ Voltage Range: 125V AC,DC
- ◇ Withstand Voltage: 1000V AC/Minute
- ◇ Contact Resistance: 10 mΩ Max. before environment test
- ◇ Insulation Resistance: 1000 MΩ Min.
- ◇ Temperature Range: -30° C to 105° C

Reference

- ◇ Mates with 2020S series Single-Row Plug Housing
- ◇ Certifications: refer to 2020S series
- ◇ GWT 850° C rated product is available



Ordering Information REFLOW SOLDER SERIES

Circuits	Part No.		Dimension		
	Black color	Ivory color	A	B	C
2	2022P02S9T-B	2022P02S9T-S	2.0	5.8	7.6
3	2022P03S9T-B	2022P03S9T-S	4.0	7.8	9.6
4	2022P04S9T-B	2022P04S9T-S	6.0	9.8	11.6
5	2022P05S9T-B	2022P05S9T-S	8.0	11.8	13.6
6	2022P06S9T-B	2022P06S9T-S	10.0	13.8	15.6
7	2022P07S9T-B	2022P07S9T-S	12.0	15.8	17.6
8	2022P08S9T-B	2022P08S9T-S	14.0	17.8	19.6
9	2022P09S9T-B	2022P09S9T-S	16.0	19.8	21.6
10	2022P10S9T-B	2022P10S9T-S	18.0	21.8	23.6
11	2022P11S9T-B	2022P11S9T-S	20.0	23.8	25.6
12	2022P12S9T-B	2022P12S9T-S	22.0	25.8	27.6
13	2022P13S9T-B	2022P13S9T-S	24.0	27.8	29.6
14	2022P14S9T-B	2022P14S9T-S	26.0	29.8	31.6
15	2022P15S9T-B	2022P15S9T-S	28.0	31.8	33.6

Material

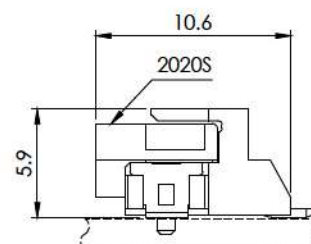
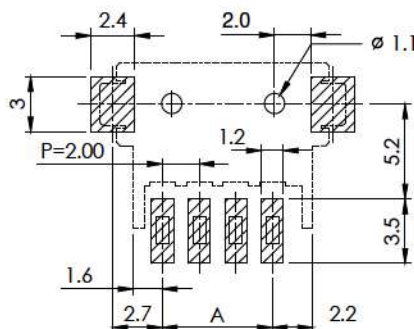
Part	Material / Finish
Base	HIGH HDT Nylon-GF 94V-0, black color
Contact	Brass, Re-flow tin-plated
Metal peg	Brass, Matte tin-plated

※ Color Identification: the following alphabet shall be put,
 ex. 2021P15 S9 T - B
 ex. 2022P15 S9 T - B
 15... Circuit no., B... Black, R... Red, E... Blue
 T... Tin-plated (Reflow), I... Gold flash-plated

※ P/N for Halogen-Free replacement:
 ex. 2022P15S9T-S NH
 B... Black, S... Ivory (natural color), NH... Halogen-Free

※ SMT Embossed Tape Packing Information:
 Q' ty per 330 mm Dia. Panel: 500 PCS/Reel

P.C. Board Layout / Assembly Layout



2.0 Pitch 2020 SERIES CONNECTOR



2.0 mm Pitch Wire-to-Wire Connector

RoHS REACH LF HFA GWT

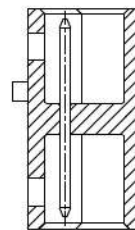
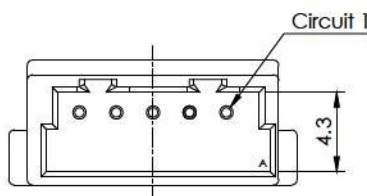
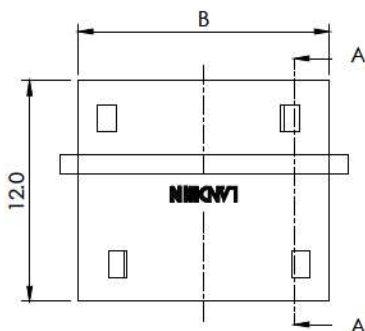
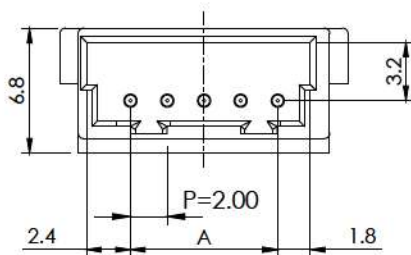
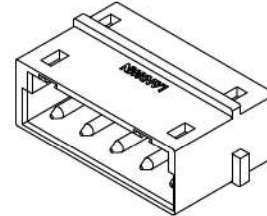
Specifications

- ◇ Current rating: 4A AC/DC Max.
- ◇ Voltage Range: 125V AC,DC
- ◇ Withstand Voltage: 1000V AC/Minute
- ◇ Contact Resistance: 10 mΩ Max. before environment test
- ◇ Insulation Resistance: 1000 MΩ Min.
- ◇ Temperature Range: -30° C to 105° C

Reference

- ◇ Mates with 2020S series Single-Row Plug Housing
- ◇ Certifications: refer to 2020S series
- ◇ GWT 750° C rated product is available

2021P DIP Header (Feed Through)



Feed-through Type
0.6mm Round Pin

Ordering Information

Circuits	Part No.	Dimension	
		A	B
2	2021P02T0T	2.0	7.7
3	2021P03T0T	4.0	9.7
4	2021P04T0T	6.0	11.7
5	2021P05T0T	8.0	13.7
6	2021P06T0T	10.0	15.7

Material

Part	Material / Finish
Base	Nylon 66 94V-0, White (natural)
Contact	Brass, Re-flow tin-plated

※ Color Identification: the following alphabet shall be put,
ex. 2021P06 T0T- B
06... Circuit no., B... Black, R... Red, M... Green, E... Blue, W... Brown
Y... Yellow, P... pink, D... Orange, H... Gray

P.C. Board Layout / Assembly Layout

