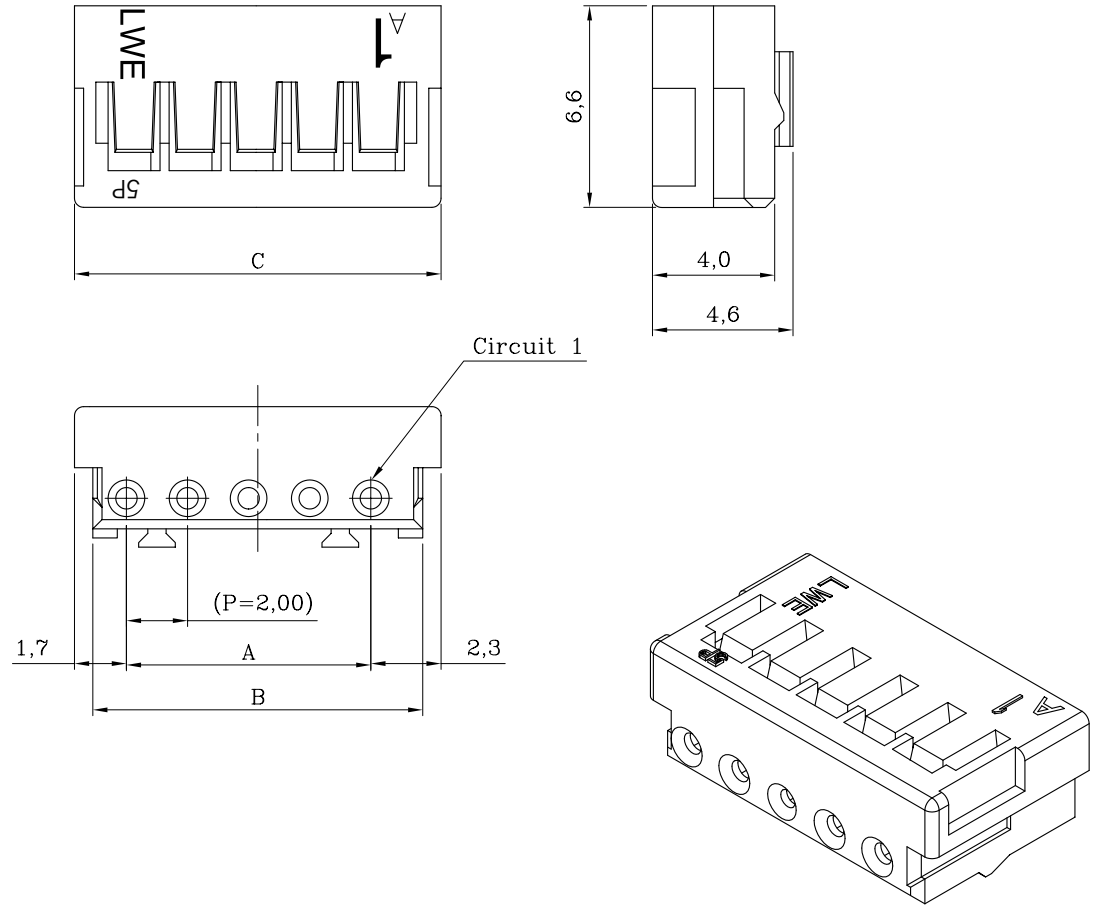
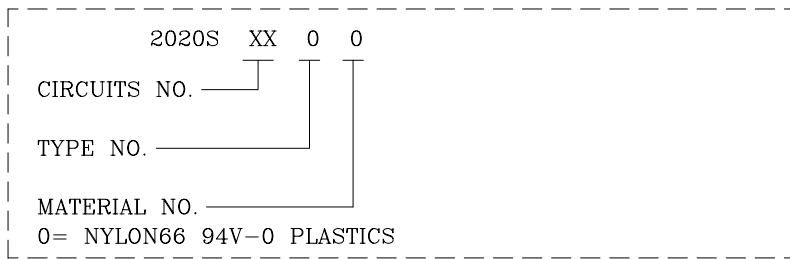


ORDER INFORMATION AND DIMENSION:

| Circuits | Part No. | Dimension | | |
|----------|-----------|-----------|------|------|
| | | A | B | C |
| 2 | 2020S0200 | 2.0 | 4.8 | 6.0 |
| 3 | 2020S0300 | 4.0 | 6.8 | 8.0 |
| 4 | 2020S0400 | 6.0 | 8.8 | 10.0 |
| 5 | 2020S0500 | 8.0 | 10.8 | 12.0 |
| 6 | 2020S0600 | 10.0 | 12.8 | 14.0 |
| 7 | 2020S0700 | 12.0 | 14.8 | 16.0 |
| 8 | 2020S0800 | 14.0 | 16.8 | 18.0 |
| 9 | 2020S0900 | 16.0 | 18.8 | 20.0 |
| 10 | 2020S1000 | 18.0 | 20.8 | 22.0 |
| 11 | 2020S1100 | 20.0 | 22.8 | 24.0 |
| 12 | 2020S1200 | 22.0 | 24.8 | 26.0 |
| 13 | 2020S1300 | 24.0 | 26.8 | 28.0 |
| 14 | 2020S1400 | 26.0 | 28.8 | 30.0 |
| 15 | 2020S1500 | 28.0 | 30.8 | 32.0 |



DESCRIPTION OF ORDER NO.:



NOTES:

- MATERIAL:
BASE: NYLON66 94V-0, WHITE COLOR (NATURAL)
- USE WITH 2023T011X SERIES CRIMP TERMINAL.
- MATES WITH 2021P, 2022P SINGLE-ROW SERIES HEADER.
- DESCRIPTION OF COLOR CODE:
LEGEND: 2020SXX00-X (-X: COLOR CODE)
B=BLACK, C=COCONUT BROWN, D=ORANGE, E=BLUE, H=GRAY, I=BRICK RED, K=PURPLE, L=LEMON YELLOW, M=GREEN, P=PINK, R=RED, V=LAVENDER, W=BROWN, Y=YELLOW
- INFORMATION IN THIS DRAWING IS NOT CONSIDERED AS FINAL.

ISOMETRIC VIEW



Sales Drawing

| | | | | | | |
|---------------------|-----------------|--------------------------|-------------|--|------------------------------------|--|
| MATERIAL: SEE NOTES | | FINISH(COLOR): SEE NOTES | | 聯盈電子股份有限公司 LANDWIN ELECTRONIC CORP. | | |
| GENERAL TOLERANCE: | PROJECTION | SCALE | UNIT | SHEET NO. | REV | |
| | | FREE | MM | 1 / 1 | W1 | |
| | DRAWN R.G. | DRAW NO. | | | | |
| | CHECKED J.L.Lin | (AQ) 2020SXX00 | | | | |
| | APPD H.Y.Lin | TITLE: | | | | |
| W1 | NEW RELEASE | 31-DEC-14' | ANGULAR ±3° | DATE 31-DEC-14' | 2.00 PITCH SINGLE-ROW PLUG HOUSING | |
| REV. | REVISION RECORD | DATE | | | | |