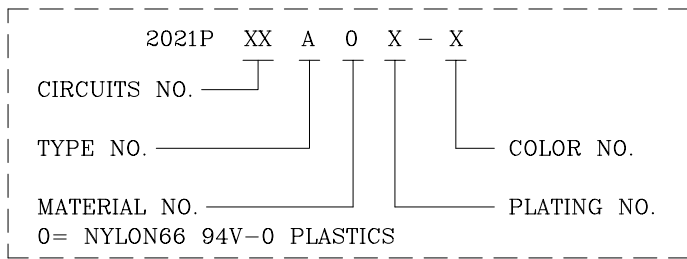


ORDER INFORMATION AND DIMENSION:

Circuits	Part No. (Reflow tin, Black color)	Dimension	
		A	B
2	2021P02A0T-B	2.0	5.8
3	2021P03A0T-B	4.0	7.8
4	2021P04A0T-B	6.0	9.8
5	2021P05A0T-B	8.0	11.8
6	2021P06A0T-B	10.0	13.8
7	2021P07A0T-B	12.0	15.8
8	2021P08A0T-B	14.0	17.8
9	2021P09A0T-B	16.0	19.8
10	2021P10A0T-B	18.0	21.8
11	2021P11A0T-B	20.0	23.8
12	2021P12A0T-B	22.0	25.8
13	2021P13A0T-B	24.0	27.8
14	2021P14A0T-B	26.0	29.8
15	2021P15A0T-B	28.0	31.8

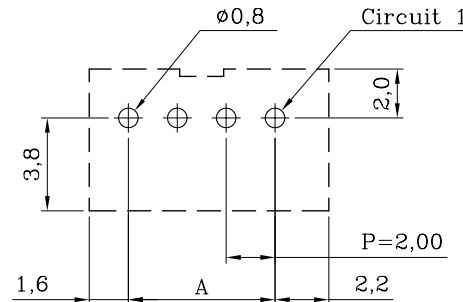
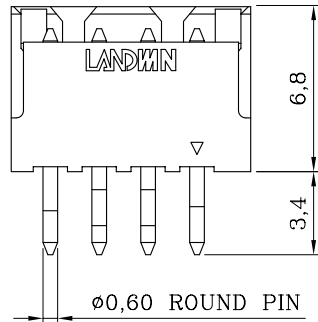
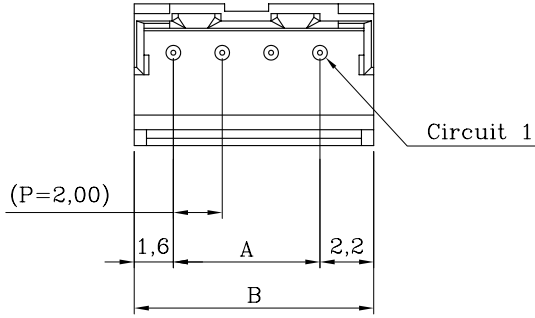
DESCRIPTION OF ORDER NO.:



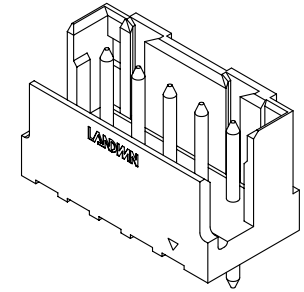
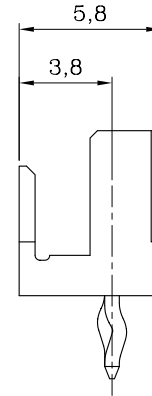
NOTES:

- MATERIAL:  
BASE: NYLON66 94V-0  
CONTACT PIN: BRASS
- MATES WITH 2020S SINGLE-ROW SERIES PLUG HOUSING.
- DESCRIPTION OF COLOR CODE:  
LEGEND: 2021PXXA0X-X (-X: COLOR CODE)  
B=BLACK, C=COCONUT BROWN, D=ORANGE, E=BLUE, H=GRAY,  
I=BRICK RED, K=PURPLE, L=LEMON YELLOW, M=GREEN,  
P=PINK, R=RED, V=LAVENDER, W=BROWN, Y=YELLOW, S=NATURAL
- INFORMATION IN THIS DRAWING IS NOT CONSIDERED AS FINAL.

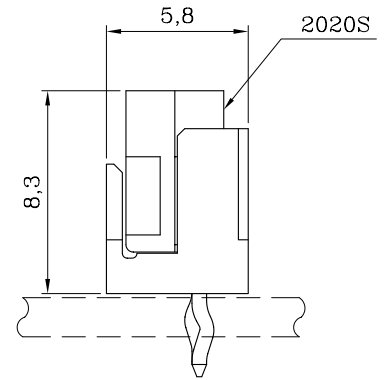
DESCRIPTION OF PLATING CODE			
T	REFLOW TIN-PLATED	1	GOLD FLASH-PLATED



P.C. BOARD LAYOUT



ISOMETRIC VIEW



ASSEMBLY LAYOUT



Sales Drawing

MATERIAL: SEE NOTES		FINISH(COLOR): SEE NOTES	
W1	NEW RELEASE	31-DEC-14'	ANGULAR ±3°
REV.	REVISION RECORD	DATE	

<b>LANDWIN</b> 聯盈電子股份有限公司		LANDWIN ELECTRONIC CORP.	
GENERAL TOLERANCE:	PROJECTION	SCALE	UNIT
	⊕	FREE	MM
DRAWN	R.G.	DRAW NO.	
CHECKED	J.L.Lin	(CQ) 2021PXXA0X-X	
APPD	H.Y.Lin	TITLE:	
DATE	31-DEC-14'	2.00 PITCH SINGLE-ROW STRAIGHT DIP-HEADER	