

2.0 Pitch 2030 SERIES CONNECTOR



2.0 mm Pitch Board-to-Board Connector



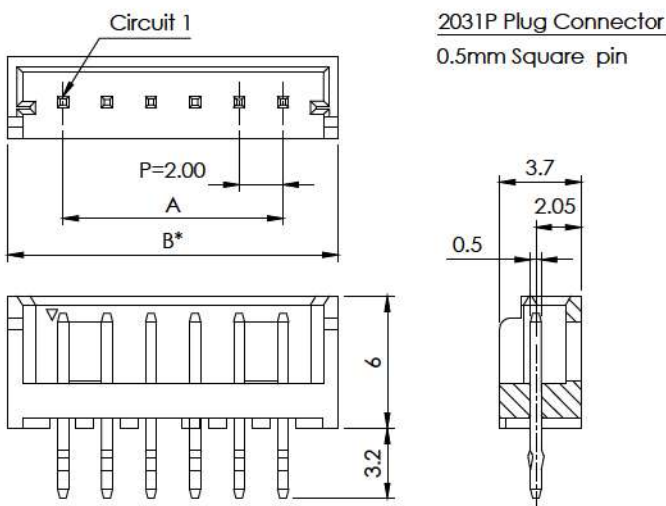
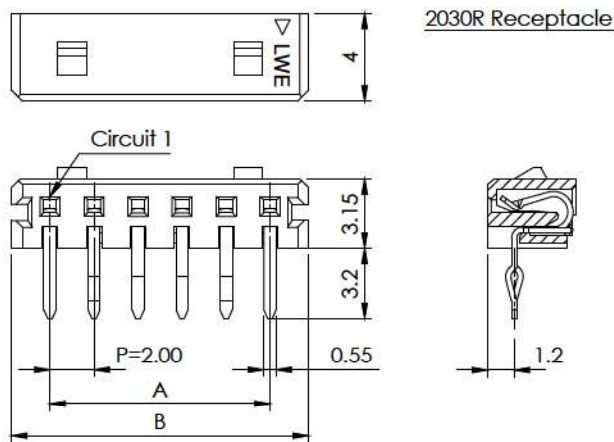
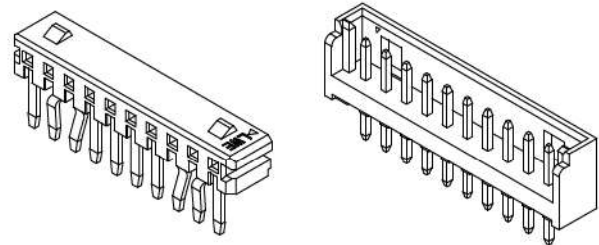
Specifications

- ◇ Current rating: 1.5A AC/DC Max.
- ◇ Voltage Range: 125V AC,DC
- ◇ Withstand Voltage: 500V AC/Minute
- ◇ Contact Resistance: 20 mΩ Max. before environment test
- ◇ Insulation Resistance: 1000 MΩ Min.
- ◇ Temperature Range: -40° C to 105° C

Reference

- ◇ 2030R series Receptacle mates with 2031P series Plug Connector

2030R Receptacle 2031P Plug Connector



Ordering Information

Circuits	Part No.		Dimension		
	Plug	Header	A	B	B*
2	2030R0203T	2031P0203T	2.0	5.5	7.0
3	2030R0303T	2031P0303T	4.0	7.5	9.0
4	2030R0403T	2031P0403T	6.0	9.5	11.0
5	2030R0503T	2031P0503T	8.0	11.5	13.0
6	2030R0603T	2031P0603T	10.0	13.5	15.0
7	2030R0703T	2031P0703T	12.0	15.5	17.0
8	2030R0803T	2031P0803T	14.0	17.5	19.0
9	2030R0903T	2031P0903T	16.0	19.5	21.0
10	2030R1003T	2031P1003T	18.0	21.5	23.0
11	2030R1103T	2031P1103T	20.0	23.5	25.0
12	2030R1203T	2031P1203T	22.0	25.5	27.0
13	2030R1303T	2031P1303T	24.0	27.5	29.0
14	2030R1403T	2031P1403T	26.0	29.5	31.0
15	2030R1503T	2031P1503T	28.0	31.5	33.0
16	2030R1603T	2031P1603T	30.0	33.5	35.0
17	2030R1703T	2031P1703T	32.0	35.5	37.0
18	2030R1803T	2031P1803T	34.0	37.5	39.0
19	2030R1903T	2031P1903T	36.0	39.5	41.0
20	2030R2003T	2031P2003T	38.0	41.5	43.0

Material

Part	Material / Finish
Base	Glass-filled PBT 94V-0, white (natural)
Contact (2030R)	Phosphor Bronze, tin-plated
Contact (2031P)	Brass, tin-plated

- ※ Color Identification: the following alphabet shall be put
ex. 2030R20 03T - B
ex. 2031P20 03T - B
20... Circuit no. B... black, R... red, E... blue, W... brown
- ※ P/N for Halogen-Free replacement:
ex. 2030R20 03T - S NH ex. 2031P20 03T - S NH
20... Circuit no. S... white (natural), NH... Halogen-Free

P.C. Board Layout / Assembly Layout

