

12 11 10 9 8 7 6 5 4 3 2 1

A

B

C

D

E

F

A

B

C

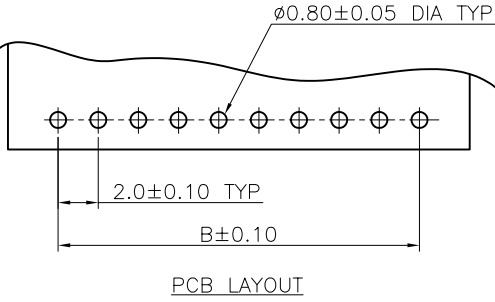
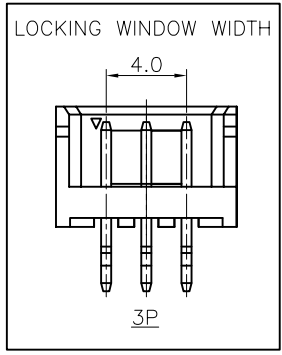
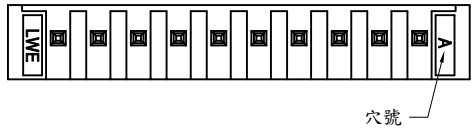
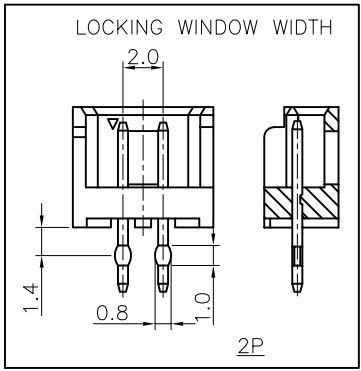
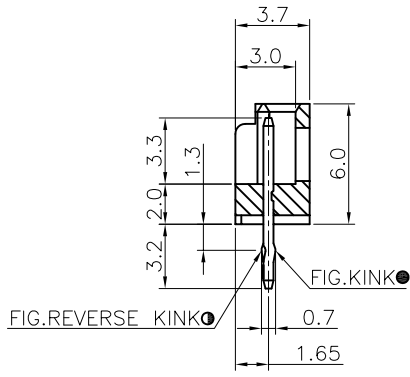
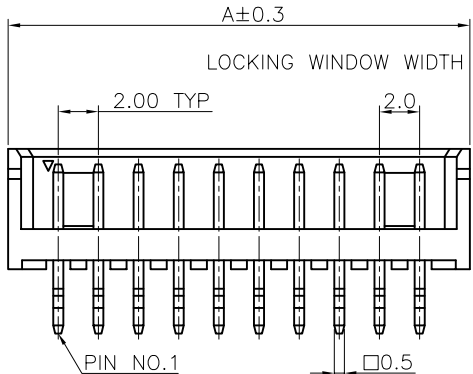
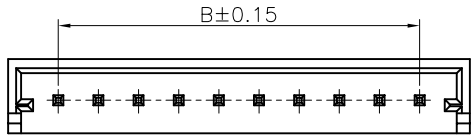
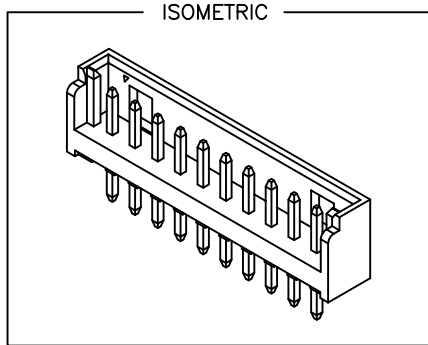
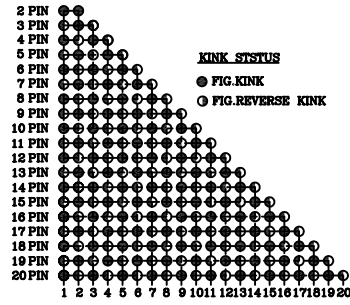
D

E

F

MATERIAL:  
 \* BASE: PBT, 94V-0, G/F 15% (WHITE)  
 \* PIN: BRASS (TIN-PLATED)

ORDER INFORMATION / MATERIAL:  
 2031P XX 0 3 T  
 CIRCUITS NO. ——— PLATING  
 T=TIN-PLATED  
 MATERIAL  
 3=PBT



ORDER NO./DIMENSIONS:

CIRCUITS	ORDER NO.	DIM. A	DIM. B
2	2031P0203T	7.0	2.0
3	2031P0303T	9.0	4.0
4	2031P0403T	11.0	6.0
5	2031P0503T	13.0	8.0
6	2031P0603T	15.0	10.0
7	2031P0703T	17.0	12.0
8	2031P0803T	19.0	14.0
9	2031P0903T	21.0	16.0
10	2031P1003T	23.0	18.0
11	2031P1103T	25.0	20.0
12	2031P1203T	27.0	22.0
13	2031P1303T	29.0	24.0
14	2031P1403T	31.0	26.0
15	2031P1503T	33.0	28.0
16	2031P1603T	35.0	30.0
17	2031P1703T	37.0	32.0
18	2031P1803T	39.0	34.0
19	2031P1903T	41.0	36.0
20	2031P2003T	43.0	38.0

業務專用圖面

MATERIAL: SEE NOTE		SCALE		FREE	SHEET	1 OF 1
FINISH(COLOR): SEE NOTE		DRAWN BY: Lawrence		29/JUN/04	UNIT	mm
FILE NAME: D:\PROJCT\2030 SERIES\2030BXX03		APPROVED BY:		REV. A		
		GENERAL TOLERANCE:		(CQ)2031PXX03T		
A NEW RELEASE		ANGLE: ±3°		TITLE: 2.0mm Pitch Board To Board Straight Header		
REV.	REVISION RECORD	ECN NO.	DATE			

THIS DRAWING CONTAINS INFORMATION THAT IS PROPRIETARY TO LANDWIN ELECTRONIC CORP. SHOULD NOT BE USED WITHOUT WRITTEN PERMISSION.