

# 2.0 Pitch 2050 SERIES CONNECTOR



## 2.0 mm Pitch Wire-to-Board Connector

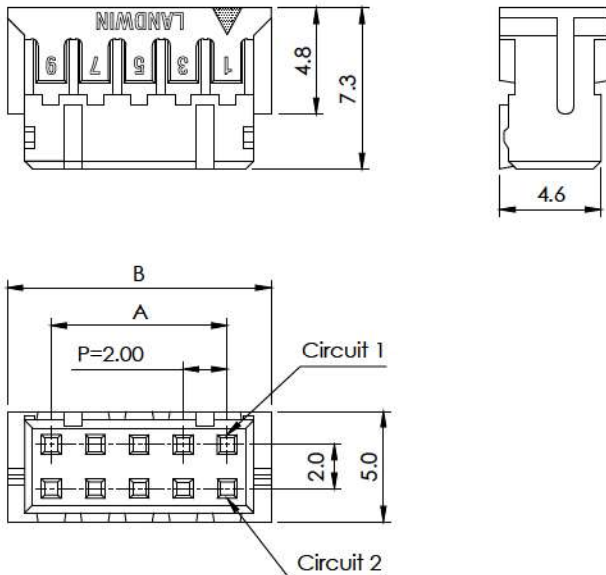


### Specifications

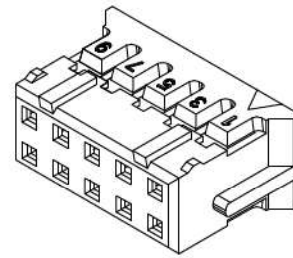
- ◇ Current rating: 3A AC/DC Max.
- ◇ Voltage Range: 250V AC,DC
- ◇ Withstand Voltage: 800V AC/Minute
- ◇ Contact Resistance: 10 mΩ Max. before environment test
- ◇ Insulation Resistance: 1000 MΩ Min.
- ◇ Temperature Range: -25° C to 85° C

### Reference

- ◇ Mates with 2051P, 2052P series Dual-Row Header
- ◇ Use with 2053T crimp terminal
- ◇ Certifications: UL, CSA
- ◇ Applicable wire gauge: AWG 24 - 28
- ◇ Special applied wire gauge: AWG 22 - 26



### 2050S Dual-Row Plug Housing



### Ordering Information

Circuits	Part No.	Dimension	
		A	B
8	2050S08 00	6.0	10.0
10	2050S10 00	8.0	12.0
12	2050S12 00	10.0	14.0
14	2050S14 00	12.0	16.0
16	2050S16 00	14.0	18.0
18	2050S18 00	16.0	20.0
20	2050S20 00	18.0	22.0
22	2050S22 00	20.0	24.0
24	2050S24 00	22.0	26.0
26	2050S26 00	24.0	28.0
28	2050S28 00	26.0	30.0
30	2050S30 00	28.0	32.0
32	2050S32 00	30.0	34.0
34	2050S34 00	32.0	36.0
36	2050S36 00	34.0	38.0
38	2050S38 00	36.0	40.0
40	2050S40 00	38.0	42.0

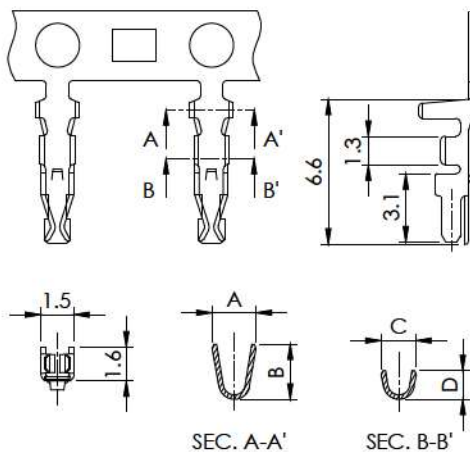
### Material

Part	Material / Finish
Housing	Nylon 66 94V-0, white (natural color)

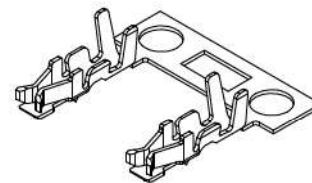
※ Color Identification: the following alphabet shall be put,  
 ex. 2050S4000- B  
 40... Circuit no.      B... black, R... red , E... blue, H... gray

### Reference

- ◇ Use with 2050S, 2070Sxx00, 2070SxxD0-SE series Plug Housing



### 2053T Crimp Terminal



### Ordering Information

Part No.	Applicable Wire		
	AWG #	Insulation O.D. mm	Q'ty / Reel
2053T011R	24 - 28	1.5 Max.	12,000
2053T021R	22 - 26	1.5 Max.	12,000

Part No.	A	B	C	D
2053T011R	2.1	2.5	1.6	1.3
2053T021R	2.1	2.5	1.7	1.5

※ Material: Phosphor Bronze, Tin-Plated

# 2.0 Pitch 2050 SERIES CONNECTOR



2.0 mm Pitch Wire-to-Board Connector

ROHS REACH LF HFA GWT

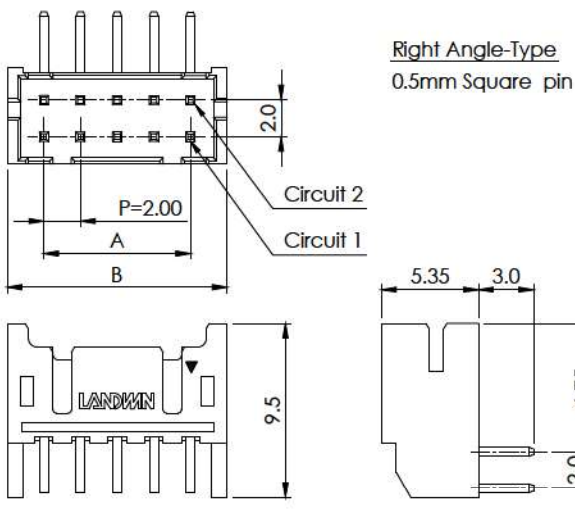
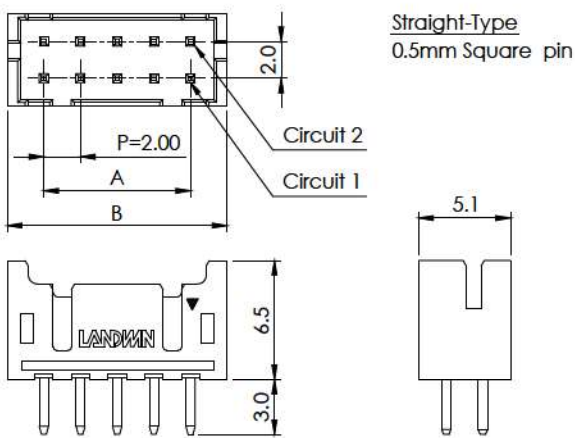
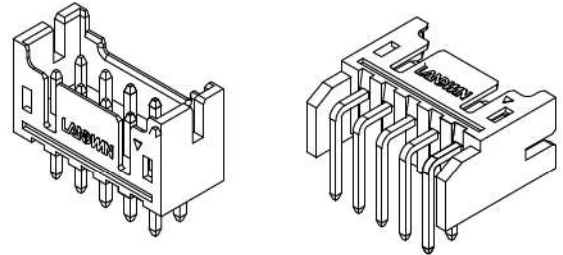
## Specifications

- ◇ Current rating: 3A AC/DC Max.
- ◇ Voltage Range: 250V AC,DC
- ◇ Withstand Voltage: 800V AC/Minute
- ◇ Contact Resistance: 10 mΩ Max. before environment test
- ◇ Insulation Resistance: 1000 MΩ Min.
- ◇ Temperature Range: -25° C to 85° C

## Reference

- ◇ Mates with 2050S series Dual-Row Plug Housing
- ◇ Certifications: UL, CSA
- ◇ GWT 850° C rated product is available

## 2051P, 2052P Dual-Row DIP Header



## Ordering Information

Circuits	Part No.		Dimension	
	Straight	Right-Angle	A	B
8	2051P080 OT	2052P080 OT	6.0	9.9
10	2051P100 OT	2052P100 OT	8.0	11.9
12	2052P120 OT	2052P120 OT	10.0	13.9
14	2051P140 OT	2052P140 OT	12.0	15.9
16	2051P160 OT	2052P160 OT	14.0	17.9
18	2051P180 OT	2052P180 OT	16.0	19.9
20	2051P200 OT	2052P200 OT	18.0	21.9
22	2051P220 OT	2052P220 OT	20.0	23.9
24	2051P240 OT	2052P240 OT	22.0	25.9
26	2051P260 OT	2052P260 OT	24.0	27.9
28	2051P280 OT	2052P280 OT	26.0	29.9
30	2051P300 OT	2052P300 OT	28.0	31.9
32	2051P320 OT	2052P320 OT	30.0	33.9
34	2051P340 OT	2052P340 OT	32.0	35.9
36	2051P360 OT	2052P360 OT	34.0	37.9
38	2051P380 OT	2052P380 OT	36.0	39.9
40	2051P400 OT	2052P400 OT	38.0	41.9

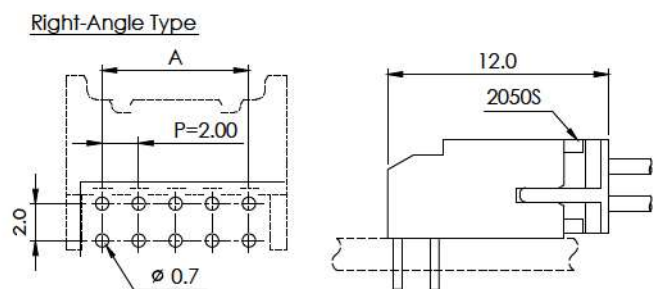
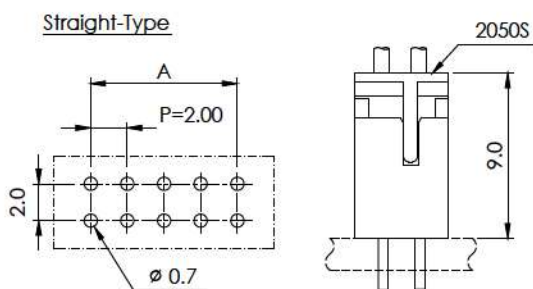
## Material

Part	Material / Finish
Base	Glass-filled Nylon 66 94V-0, Light Ivory color
Contact	Brass, Re-flow tin-plated

※ Color Identification: the following alphabet shall be put,  
 ex. 2051P4000T- B  
 ex. 2052P4000T- B  
 40... Circuit no. B... black, R... red, E... blue, H... gray

※ P/N for Halogen-Free replacement:  
 ex. 2051P40 00T - S NH  
 ex. 2052P40 00T - S NH  
 -S... Light ivory (base color) NH... Halogen-Free

## P.C. Board Layout / Assembly Layout



# 2.0 Pitch 2050 SERIES CONNECTOR



2.0 mm Pitch Wire-to-Board Connector

RoHS REACH LF HFA GWT

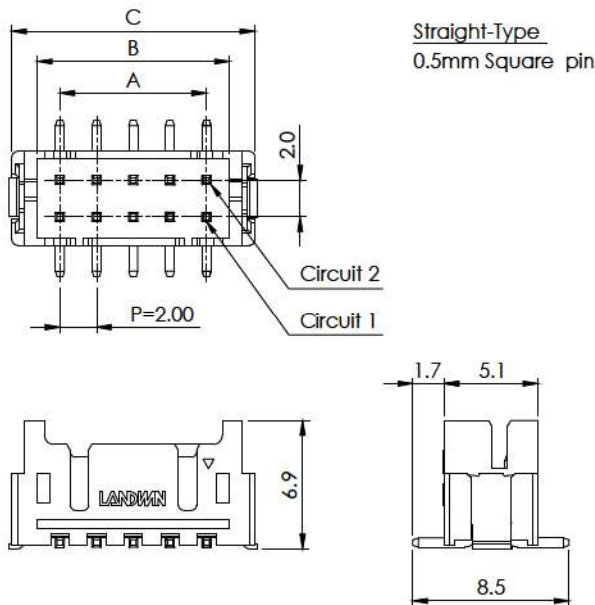
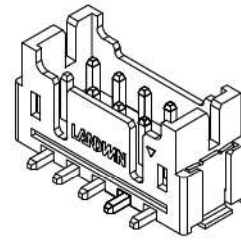
## 2051P Dual-Row SMT Header

### Specifications

- ◇ Current rating: 3A AC/DC Max.
- ◇ Voltage Range: 250V AC,DC
- ◇ Withstand Voltage: 800V AC/Minute
- ◇ Contact Resistance: 10 mΩ Max. before environment test
- ◇ Insulation Resistance: 1000 MΩ Min.
- ◇ Temperature Range: -25° C to 85° C

### Reference

- ◇ Mates with 2050S series Dual-Row Plug Housing
- ◇ Certifications: refer to 2050S series
- ◇ GWT 850° C rated product is available



### Ordering Information: REFLOW SOLDER SERIES

Circuits	Part No.	Dimension			
		A	B	C	D
10	2051P10S9T	8.0	10.5	13.25	14.1
12	2051P12S9T	10.0	12.5	15.25	16.1
14	2051P14S9T	12.0	14.5	17.25	18.1
16	2051P16S9T	14.0	16.5	19.25	20.1
18	2051P18S9T	16.0	18.5	21.25	22.1
20	2051P20S9T	18.0	20.5	23.25	24.1
22	2051P22S9T	20.0	22.5	25.25	26.1
24	2051P24S9T	22.0	24.5	27.25	28.1
26	2051P26S9T	24.0	26.5	29.25	30.1
28	2051P28S9T	26.0	28.5	31.25	32.1
30	2051P30S9T	28.0	30.5	33.25	34.1
32	2051P32S9T	30.0	32.5	35.25	36.1
34	2051P34S9T	32.0	34.5	37.25	38.1
36	2051P36S9T	34.0	36.5	39.25	40.1
38	2051P38S9T	36.0	38.5	41.25	42.1
40	2051P40S9T	38.0	40.5	43.25	44.1

### Material

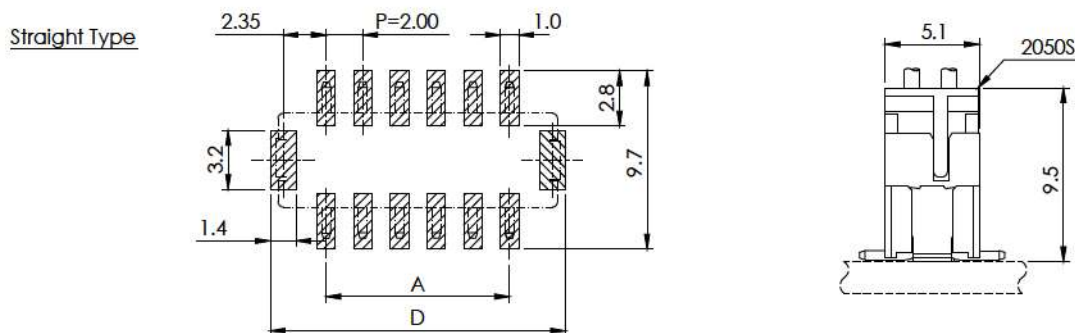
Part	Material / Finish
Base	HIGH HDT Nylon 94V-0, Ivory color
Contact	Brass, Re-flow tin-plated
Metal peg	Brass, Matte tin-plated

※ Color Identification: the following alphabet shall be put,  
ex. 2051P40 S9T - B  
40... Circuit no. B... black, R... red, E... blue, H... gray

※ P/N for Halogen-Free replacement:  
ex. 2051P40 S9T - S NH  
-S... Ivory (natural color) NH... Halogen-Free

※ SMT Embossed Tape Packing Information:  
Q' ty per 330 mm Dia. Panel: 400 PCS/Reel (2051P)

### P.C. Board Layout / Assembly Layout



# 2.0 Pitch 2050 SERIES CONNECTOR



2.0 mm Pitch Wire-to-Board Connector

RoHS REACH LF HFA GWT

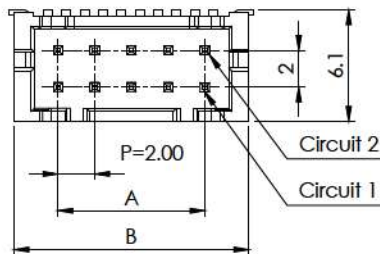
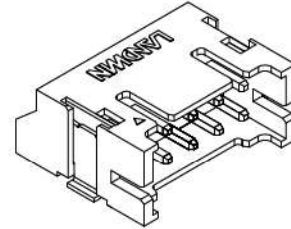
## 2052P Dual-Row SMT Header

### Specifications

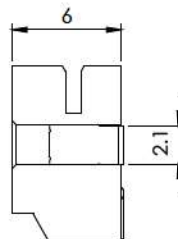
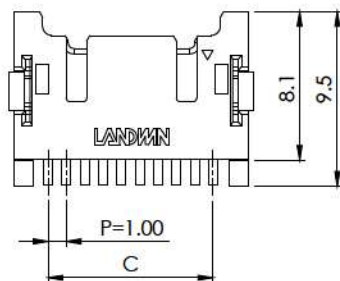
- ◇ Current rating: 3A AC/DC Max.
- ◇ Voltage Range: 250V AC,DC
- ◇ Withstand Voltage: 800V AC/Minute
- ◇ Contact Resistance: 10 mΩ Max. before environment test
- ◇ Insulation Resistance: 1000 MΩ Min.
- ◇ Temperature Range: -25° C to 85° C

### Reference

- ◇ Mates with 2050S series Dual-Row Plug Housing
- ◇ Certifications: refer to 2050S series
- ◇ GWT 850° C rated product is available



Right-Angle Type  
0.5mm Square  
Contact Pin



### Ordering Information: REFLOW SOLDER SERIES

Circuits	Part No.	Dimension			
		A	B	C	D
4	2052P04S9T	2.0	6.8	3.0	7.5
6	2052P06S9T	4.0	8.8	5.0	9.5
8	2052P08S9T	6.0	10.8	7.0	11.5
10	2052P10S9T	8.0	12.8	9.0	13.5
12	2052P12S9T	10.0	14.8	11.0	15.5
14	2052P14S9T	12.0	16.8	13.0	17.5
16	2052P16S9T	14.0	18.8	15.0	19.5
18	2052P18S9T	16.0	20.8	17.0	21.5
20	2052P20S9T	18.0	22.8	19.0	23.5
22	2052P22S9T	20.0	24.8	21.0	25.5
24	2052P24S9T	22.0	26.8	23.0	27.5
26	2052P26S9T	24.0	28.8	25.0	29.5
28	2052P28S9T	26.0	30.8	27.0	31.5
30	2052P30S9T	28.0	32.8	29.0	33.5
32	2052P32S9T	30.0	34.8	31.0	35.5
34	2052P34S9T	32.0	36.8	33.0	37.5
36	2052P36S9T	34.0	38.8	35.0	39.5
38	2052P38S9T	36.0	40.8	37.0	41.5
40	2052P40S9T	38.0	42.8	39.0	43.5

### Material

Part	Material / Finish
Base	HIGH HDT Nylon 94V-0, Ivory color
Contact	Brass, Matte tin-plated

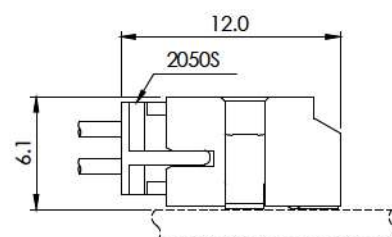
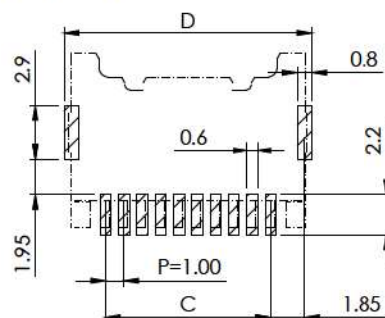
※ Color Identification: the following alphabet shall be put,  
ex. 2052P40S9T- B  
40... Circuit no. B... black, R... red, E... blue, H... gray

※ P/N for Halogen-Free replacement:  
ex. 2052P40S9T-S NH  
-S... Ivory (natural color) NH... Halogen-Free

※ SMT Embossed Tape Packing Information:  
Q' ty per 330 mm Dia. Panel: 500 PCS/Reel (2052P)

### P.C. Board Layout / Assembly Layout

Right-Angle Type



# 2.0 Pitch 2050 SERIES CONNECTOR



2.0 mm Pitch Wire-to-Wire Connector

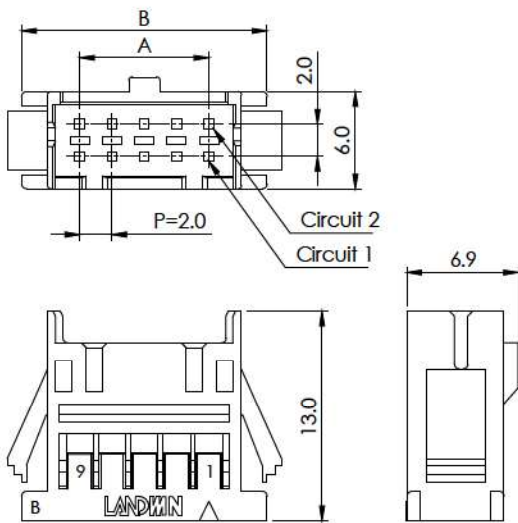
RoHS REACH LF HFA GWT

## Specifications

- ◇ Current rating: 3A AC/DC Max.
- ◇ Voltage Range: 250V AC,DC
- ◇ Withstand Voltage: 800V AC/Minute
- ◇ Contact Resistance: 10 mΩ Max. before environment test
- ◇ Insulation Resistance: 1000 MΩ Min.
- ◇ Temperature Range: -25° C to 85° C

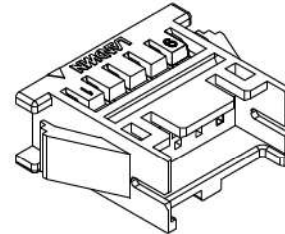
## Reference

- ◇ Mates with 2050S series Dual-Row Plug Housing
- ◇ Use with 2053TM series crimp terminal
- ◇ Certifications: refer to 2050S series
- ◇ GWT 750° C rated product is available
- ◇ Applicable wire gauge: AWG 24 - 28



※ Color Identification: the following alphabet shall be put,  
ex. 2050M40 B0 - B  
40... Circuit no. B... black, R... red, E... blue, W... brown

## 2050M Dual-Row Receptacle Housing (Male Housing)



## Ordering Information

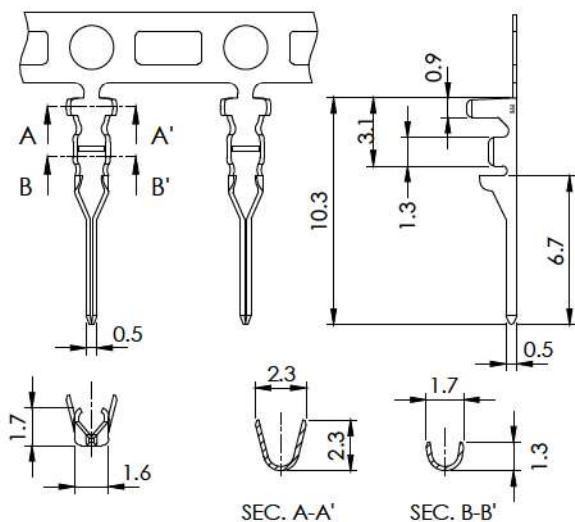
Circuits	Part No.	Dimension	
		A	B
04	2050M04B0-B	2.0	9.2
06	2050M06B0-B	4.0	11.2
08	2050M08B0-B	6.0	13.2
10	2050M10B0-B	8.0	15.2
12	2050M12B0-B	10.0	17.2
14	2050M14B0-B	12.0	19.2
16	2050M16B0-B	14.0	21.2
18	2050M18B0-B	16.0	23.2
20	2050M20B0-B	18.0	25.2
22	2050M22B0-B	20.0	27.2
24	2050M24B0-B	22.0	29.2
26	2050M26B0-B	24.0	31.2
28	2050M28B0-B	26.0	33.2
30	2050M30B0-B	28.0	35.2
32	2050M32B0-B	30.0	37.2
34	2050M34B0-B	32.0	39.2
36	2050M36B0-B	34.0	41.2
38	2050M38B0-B	36.0	43.2
40	2050M40B0-B	38.0	45.2

## Material

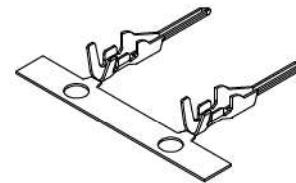
Part	Material / Finish
Housing	Nylon 66 94V-0, black

## Reference

- ◇ Use with 2050M series Dual-row Receptacle Housing



## 2053TM Crimp Terminal



## Ordering Information

Part No.	Applicable Wire		
	AWG #	Insulation O.D. mm	Q'ty / Reel
2053TM11R	24 - 28	1.45 Max.	10,000

## Material

Part No.	Material / Finish
2053TM11R	Phosphor Bronze Tin-Plated