

2.0 Pitch 2070 SERIES CONNECTOR



2.0 mm Pitch Wire-to-Board Connector

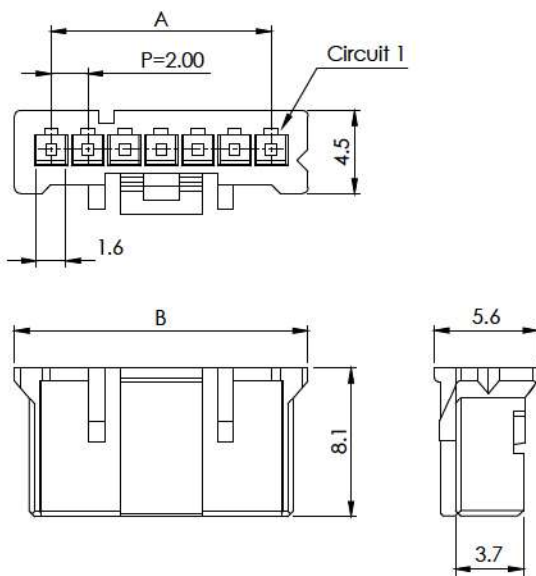


Specifications

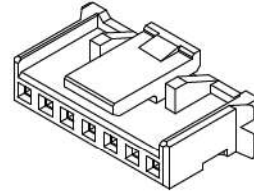
- ◇ Current rating: 3A AC/DC Max.
- ◇ Voltage Range: 250V AC,DC
- ◇ Withstand Voltage: 800V AC/Minute
- ◇ Contact Resistance: 10 mΩ Max. before environment test
- ◇ Insulation Resistance: 1000 MΩ Min.
- ◇ Temperature Range: -25° C to 85° C

Reference

- ◇ Mates with 2071PxxA3T, 2072PxxA3T series Single-Row Header
- ◇ Use with 2053T series Crimp Terminal
- ◇ Certifications: UL, CSA
- ◇ Applicable wire gauge: AWG 24 - 28
- Special applied wire gauge: AWG 22 - 26



2070S Single-Row Plug Housing



Ordering Information

Circuits	Part No.	Dimension	
		A	B
2	2070S02 00	2.0	6.0
3	2070S03 00	4.0	8.0
4	2070S04 00	6.0	10.0
5	2070S05 00	8.0	12.0
6	2070S06 00	10.0	14.0
7	2070S07 00	12.0	16.0
8	2070S08 00	14.0	18.0
9	2070S09 00	16.0	20.0
10	2070S10 00	18.0	22.0
11	2070S11 00	20.0	24.0
12	2070S12 00	22.0	26.0
13	2070S13 00	24.0	28.0
14	2070S14 00	26.0	30.0
15	2070S15 00	28.0	32.0
16	2070S16 00	30.0	34.0

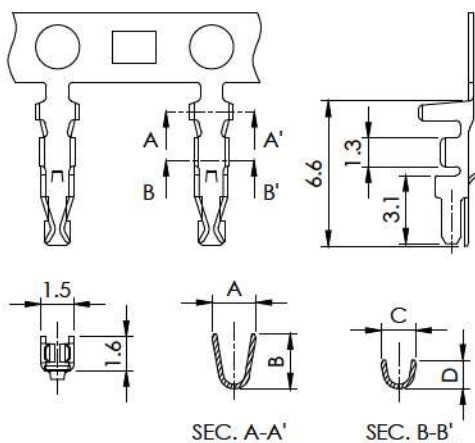
Material

Part	Material / Finish
Housing	Nylon 66 94V-0, white (natural)

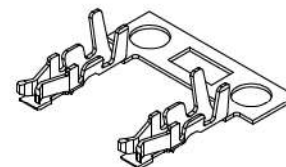
※ Color Identification: the following alphabet shall be put
 ex. 2070S1600- B
 16... Circuit no., B... black, R... red, E... blue, W... brown
 Y... yellow, P... pink, D... orange, H... Gray, M... green color

Reference

- ◇ Use with 2050S, 2070Sxx00, 2070SxxD0-SE series Plug Housing



2053T Crimp Terminal



Ordering Information

Part No.	Applicable Wire		
	AWG #	Insulation O.D. mm	Q'ty / Reel
2053T011R	24 - 28	1.5 Max.	12,000
2053T021R	22 - 26	1.5 Max.	12,000

Part No.	A	B	C	D
2053T011R	2.1	2.5	1.6	1.3
2053T021R	2.1	2.5	1.7	1.5

2.0 Pitch 2070 SERIES CONNECTOR



2.0 mm Pitch Wire-to-Board Connector

RoHS REACH LF HFA GWT

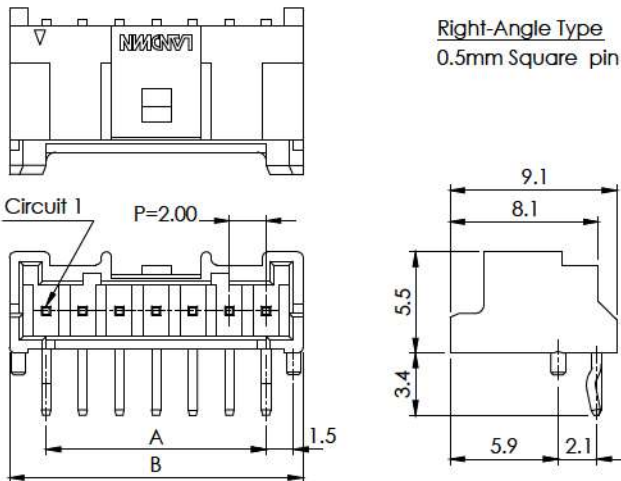
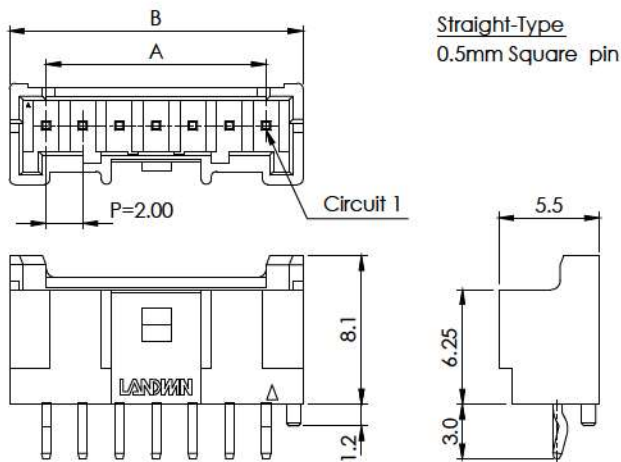
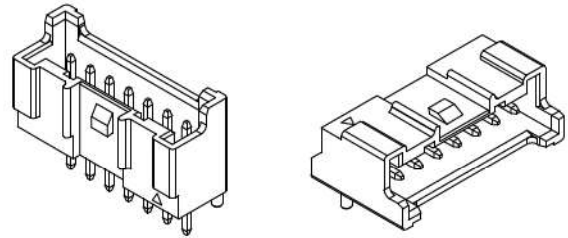
2071P, 2072P DIP Header

Specifications

- ◇ Current rating: 3A AC/DC Max.
- ◇ Voltage Range: 250V AC,DC
- ◇ Withstand Voltage: 800V AC/Minute
- ◇ Contact Resistance: 10 mΩ Max. before environment test
- ◇ Insulation Resistance: 1000 MΩ Min.
- ◇ Temperature Range: -25° C to 85° C

Reference

- ◇ Mates with 2070Sxx00 series Single-Row Plug Housing
- ◇ Certifications: UL, CSA
- ◇ GWT 750° C rated product is available



Ordering Information

Circuits	Part No.		Dimension	
	Straight	Right-Angle	A	B
2	2071P02A1T	2072P02A1T	2.0	6.0
3	2071P03A1T	2072P03A1T	4.0	8.0
4	2071P04A1T	2072P04A1T	6.0	10.0
5	2071P05A1T	2072P05A1T	8.0	12.0
6	2071P06A1T	2072P06A1T	10.0	14.0
7	2071P07A1T	2072P07A1T	12.0	16.0
8	2071P08A1T	2072P08A1T	14.0	18.0
9	2071P09A1T	2072P09A1T	16.0	20.0
10	2071P10A1T	2072P10A1T	18.0	22.0
11	2071P11A1T	2072P11A1T	20.0	24.0
12	2071P12A1T	2072P12A1T	22.0	26.0
13	2071P13A1T	2072P13A1T	24.0	28.0
14	2071P14A1T	2072P14A1T	26.0	30.0
15	2071P15A1T	2072P15A1T	28.0	32.0
16	2071P16A1T	2072P16A1T	30.0	34.0

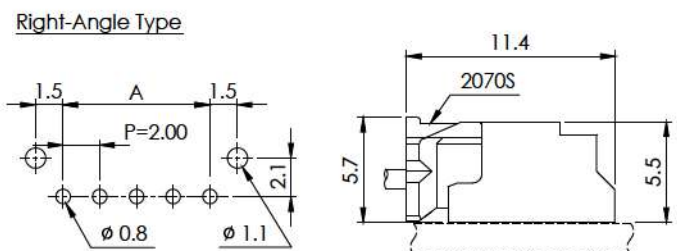
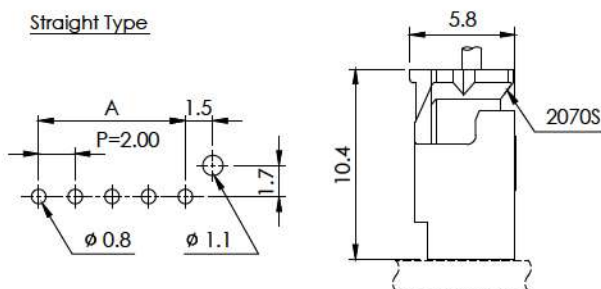
Material

Part	Material / Finish
Base	Glass-filled Nylon 66 94V-0, Light Ivory color
Contact	Brass, Reflow tin-plated

※ Color Identification: the following alphabet shall be put,
ex. 2071P16 A1T - B
ex. 2072P16 A1T - B
16... Circuit no. B... black, R... red, E... blue, W... brown color

※ P/N for Halogen-Free replacement:
ex. 2071P16 A1T - S NH
ex. 2072P16 A1T - S NH
16... Circuit no. S... white (natural color) NH... Halogen-Free

P.C. Board Layout / Assembly Layout



2.0 Pitch 2070 SERIES CONNECTOR



2.0 mm Pitch Wire-to-Board Connector

RoHS REACH LF HFA GWT

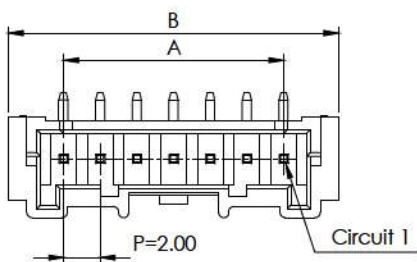
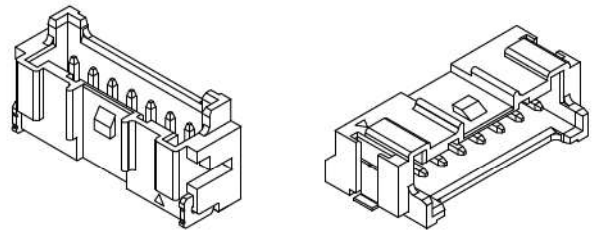
Specifications

- ◇ Current rating: 3A AC/DC Max.
- ◇ Voltage Range: 250V AC,DC
- ◇ Withstand Voltage: 800V AC/Minute
- ◇ Contact Resistance: 10 mΩ Max. before environment test
- ◇ Insulation Resistance: 1000 MΩ Min.
- ◇ Temperature Range: -25° C to 85° C

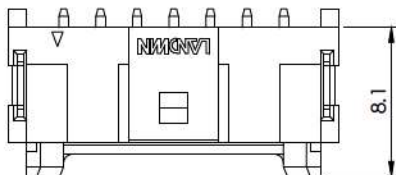
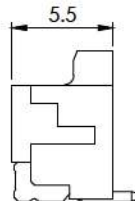
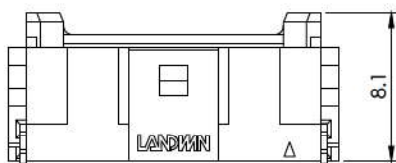
Reference

- ◇ Mates with 2070Sxx00 series Single-Row Plug Housing
- ◇ Certifications: UL, CSA
- ◇ GWT 850° C rated product is available

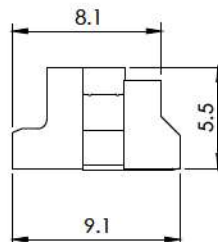
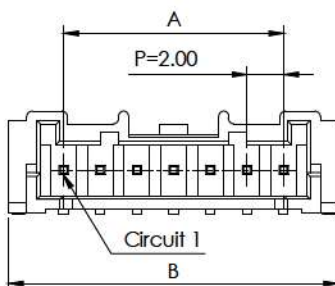
2071P, 2072P SMT Header



Straight-Type
0.5mm Square pin



Right-Angle Type
0.5mm Square pin



Ordering Information REFLOW SOLDER SERIES

Circuits	Part No.		Dimension	
	Straight	Right-Angle	A	B
2	2071P02S9T	2072P02S9T	2.0	8.0
3	2071P03S9T	2072P03S9T	4.0	10.0
4	2071P04S9T	2072P04S9T	6.0	12.0
5	2071P05S9T	2072P05S9T	8.0	14.0
6	2071P06S9T	2072P06S9T	10.0	16.0
7	2071P07S9T	2072P07S9T	12.0	18.0
8	2071P08S9T	2072P08S9T	14.0	20.0
9	2071P09S9T	2072P09S9T	16.0	22.0
10	2071P10S9T	2072P10S9T	18.0	24.0
11	2071P11S9T	2072P11S9T	20.0	26.0
12	2071P12S9T	2072P12S9T	22.0	28.0
13	2071P13S9T	2072P13S9T	24.0	30.0
14	2071P14S9T	2072P14S9T	26.0	32.0
15	2071P15S9T	2072P15S9T	28.0	34.0
16	2071P16S9T	2072P16S9T	30.0	36.0

Material

Part	Material / Finish
Base	HIGH HDT Nylon-GF 94V-0, Ivory color
Contact	Brass, Reflow tin-plated
Peg	Brass, Matte tin-plated

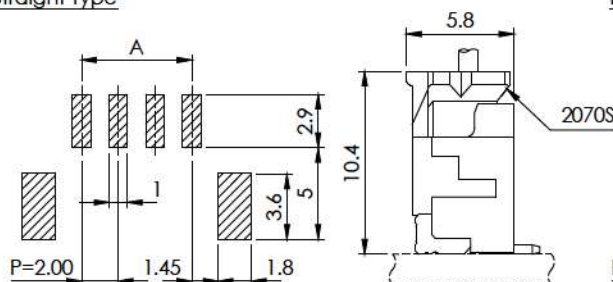
※ Color Identification: the following alphabet shall be put,
 ex. 2071P16 S9T - B
 ex. 2072P16 S9T - B
 16... Circuit no., B... black, R... red, E... blue, H... gray color

※ P/N for Halogen-Free replacement:
 ex. 2071P16 S9T - S NH
 ex. 2072P16 S9T - S NH
 16... Circuit no. S... Ivory (natural color) NH... Halogen-Free

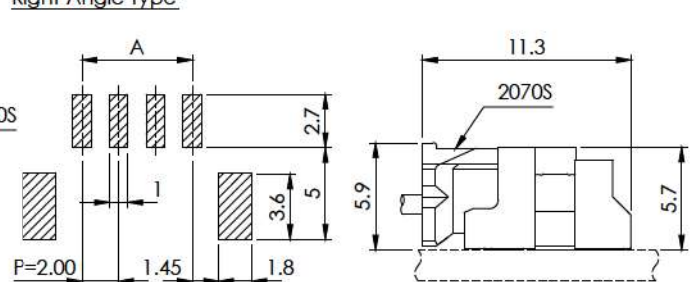
※ SMT Embossed Tape Packing Information:
 Q' ty per 330 mm Dia. Panel: 450 PCS/Reel (2071P)
 Q' ty per 330 mm Dia. Panel: 600 PCS/Reel (2072P)

P.C. Board Layout / Assembly Layout

Straight Type



Right-Angle Type



2.0 Pitch 2070 SERIES CONNECTOR



2.0 mm Pitch Wire-to-Board Connector

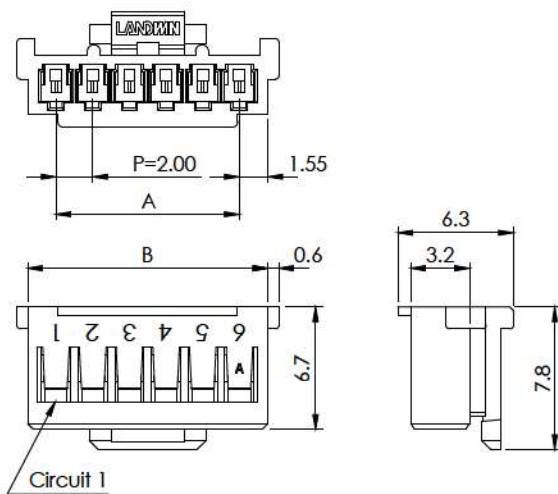


■ Specifications

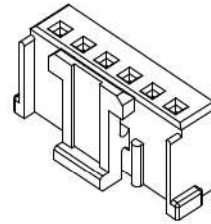
- ◇ Current rating: 2A AC/DC Max.
- ◇ Voltage Range: 125V AC,DC
- ◇ Withstand Voltage: 500V AC/Minute
- ◇ Contact Resistance: 20 mΩ Max. before environment test
- ◇ Insulation Resistance: 1000 MΩ Min.
- ◇ Temperature Range: -40° C to 105° C

■ Reference

- ◇ Mates with 2071PxxA3T-SB, 2072PxxA3T-SB series Single-Row Header
- ◇ Use with 2073T series Terminal
- ◇ Applicable wire gauge: AWG 24 - 30



2070S Single-Row Plug Housing (Type B)



Ordering Information

Circuits	Part No.	Dimension	
		A	B
2 ※	2070S0200-SB	2.0	5.1
3 ※	2070S0300-SB	4.0	7.1
4	2070S0400-SB	6.0	9.1
5	2070S0500-SB	8.0	11.1
6	2070S0600-SB	10.0	13.1
7 ※	2070S0700-SB	12.0	15.1
8 ※	2070S0800-SB	14.0	17.1
9 ※	2070S0900-SB	16.0	19.1
10 ※	2070S1000-SB	18.0	21.1
11 ※	2070S1100-SB	20.0	23.1
12 ※	2070S1200-SB	22.0	25.1
13 ※	2070S1300-SB	24.0	27.1
14 ※	2070S1400-SB	26.0	29.1
15 ※	2070S1500-SB	28.0	31.1
16 ※	2070S1600-SB	30.0	33.1

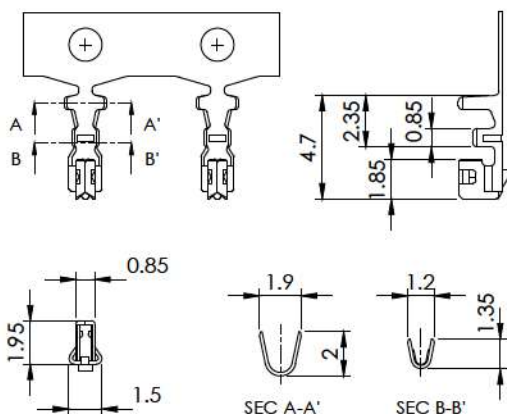
Material

Part	Material / Finish
Housing	Nylon 66 94V-0, white (natural)

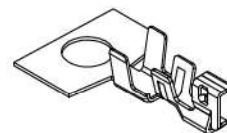
- ※ Color Identification: the following alphabet shall be put
ex. 2070S16 00- S B
16... Circuit no. S... white (natural), B... black, R... red
- ※ Contact sales for available P/N up to date.

■ Reference

- ◇ Use with 2070Sxx00-SB series Single-Row Plug Housing



2073T Crimp Terminal



Ordering Information

Part No.	Applicable Wire		
	AWG #	Insulation O.D. mm	Q'ty / Reel
2073T011R	24 - 30	1.5 Max.	15,000

Material

Part No.	Material
2073T011R	Phosphor Bronze Tin-Plated

2.0 Pitch 2070 SERIES CONNECTOR



2.0 mm Pitch Wire-to-Board Connector



■ Specifications

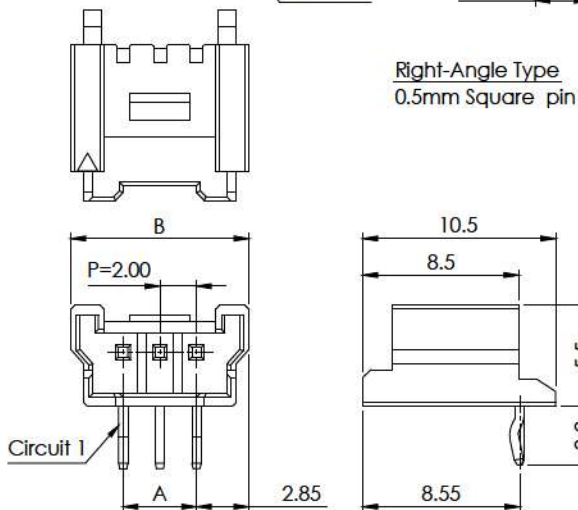
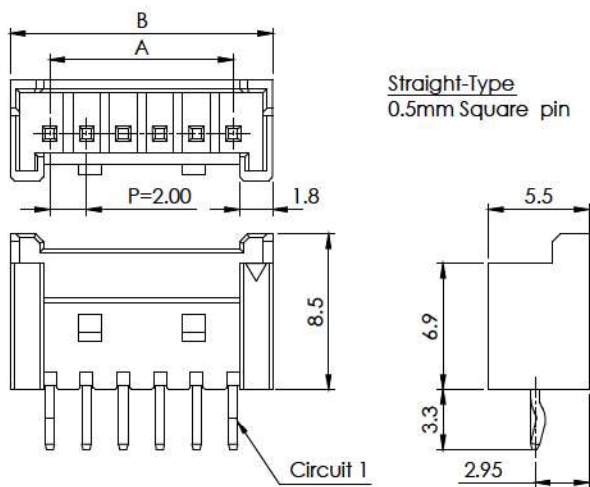
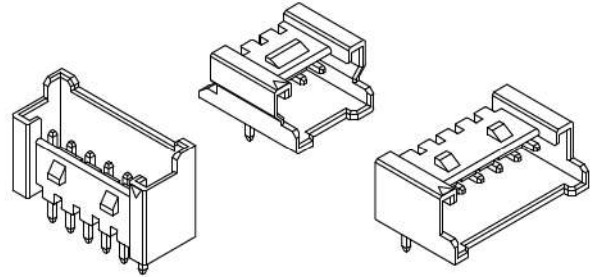
- ◇ Current rating: 2A AC/DC Max.
- ◇ Voltage Range: 125V AC,DC
- ◇ Withstand Voltage: 500V AC/Minute
- ◇ Contact Resistance: 20 mΩ Max. before environment test
- ◇ Insulation Resistance: 1000 MΩ Min.
- ◇ Temperature Range: -40° C to 105° C

■ Reference

- ◇ Mates with 2070Sxx00-SB series Single-Row Plug Housing
- ◇ GWT 750° C rated product is available

2071P, 2072P Single-Row DIP Header
(Type B)

Under development



Ordering Information

Circuits	Part No.		Dimension	
	Straight	Right-Angle	A	B
2 *	2071P02A3T-SB	2072P02A3T-SB	2.0	7.7
3 *	2071P03A3T-SB	2072P03A3T-SB	4.0	9.7
4 *	2071P04A3T-SB	2072P04A3T-SB	6.0	10.3
5 *	2071P05A3T-SB	2072P05A3T-SB	8.0	12.3
6 *	2071P06A3T-SB	2072P06A3T-SB	10.0	14.3
7 *	2071P07A3T-SB	2072P07A3T-SB	12.0	16.3
8 *	2071P08A3T-SB	2072P08A3T-SB	14.0	18.3
9 *	2071P09A3T-SB	2072P09A3T-SB	16.0	20.3
10 *	2071P10A3T-SB	2072P10A3T-SB	18.0	22.3
11 *	2071P11A3T-SB	2072P11A3T-SB	20.0	24.3
12 *	2071P12A3T-SB	2072P12A3T-SB	22.0	26.3
13 *	2071P13A3T-SB	2072P13A3T-SB	24.0	28.3
14 *	2071P14A3T-SB	2072P14A3T-SB	26.0	30.3
15 *	2071P15A3T-SB	2072P15A3T-SB	28.0	32.3
16 *	2071P16A3T-SB	2072P16A3T-SB	30.0	34.3

Material

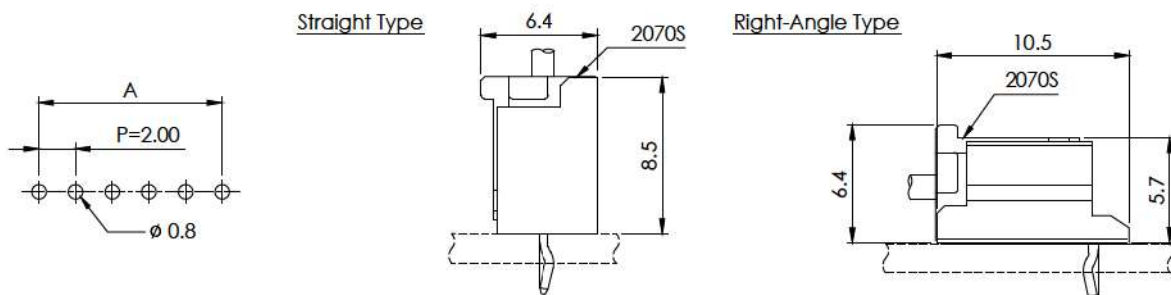
Part	Material / Finish
Base	Glass-filled PBT 94V-0, white (natural)
Contact	Brass, Matte tin-plated

※ Color Identification: the following alphabet shall be put,
ex. 2071P16 A3T - S B
ex. 2072P16 A3T - S B
16... Circuit no. S... white (natural), B... black, R... red
H... gray, S... natural color

※ P/N for Halogen-Free replacement:
ex. 2071P16 A3T - S B NH
ex. 2072P16 A3T - S B NH
16... Circuit no. S... White (natural) NH... Halogen-Free

※ Contact sales for available P/N up to date.

P.C. Board Layout / Assembly Layout



2.0 Pitch 2070 SERIES CONNECTOR



2.0 mm Pitch Wire-to-Board Connector

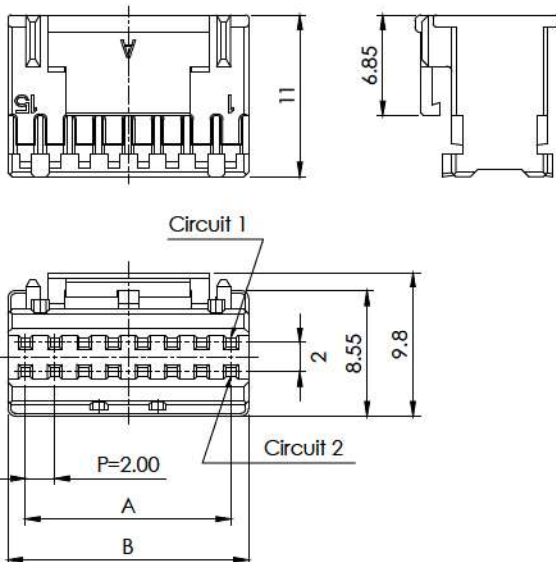


Specifications

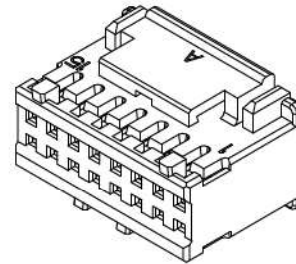
- ◇ Current rating: 3A AC/DC Max.
- ◇ Voltage Range: 250V AC,DC
- ◇ Withstand Voltage: 800V AC/Minute
- ◇ Contact Resistance: 10 mΩ Max. before environment test
- ◇ Insulation Resistance: 1000 MΩ Min.
- ◇ Temperature Range: -25° C to 85° C

Reference

- ◇ Mates with 2071PxxD3T, 2072PxxD3T series Dual-Row Header
- ◇ Use with 2005T2 series Crimp Terminal
- ◇ Certifications: UL, CSA
- ◇ Applicable wire gauge: AWG 24 - 28



2070S Dual-Row Plug Housing



Ordering Information

Circuits	Part No.	Dimension	
		A	B
10	2070S10D0	8.0	10.4
12	2070S12D0	10.0	12.4
14	2070S14D0	12.0	14.4
16	2070S16D0	14.0	16.4
18	2070S18D0	16.0	18.4
20	2070S20D0	18.0	20.4
22	2070S22D0	20.0	22.4
24	2070S24D0	22.0	24.4
26	2070S26D0	24.0	26.4
28	2070S28D0	26.0	28.4
30	2070S30D0	28.0	30.4
32	2070S32D0	30.0	32.4
34	2070S34D0	32.0	34.4
36	2070S36D0	34.0	36.4
38	2070S38D0	36.0	38.4
40	2070S40D0	38.0	40.4

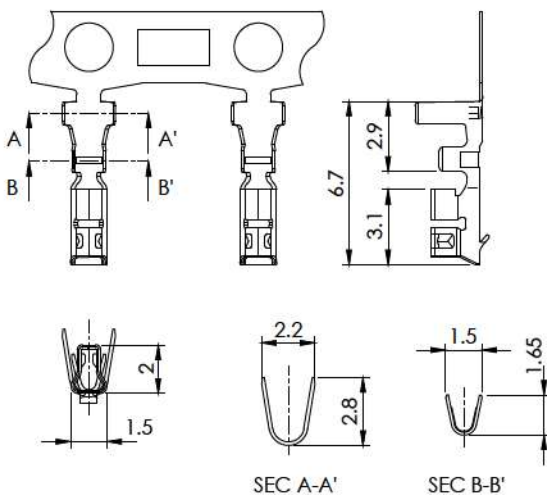
Material

Part	Material / Finish
Housing	Nylon 66 94V-0, white (natural)

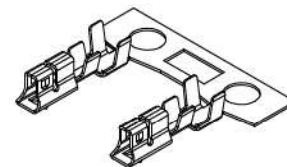
※ Color Identification: the following alphabet shall be put
 ex. 2070S40D0-B
 40... Circuit no. B... black, R... red, E... blue, W... brown

Reference

- ◇ Use with 2070SxxD0 series Dual-Row Plug Housing



2005T2 Crimp Terminal



Ordering Information

Part No.	Applicable Wire		
	AWG #	Insulation O.D. mm	Q'ty / Reel
2005T211R	24 - 28	1.6 Max.	12,000

Material

Part No.	Material / Finish
2005T211R	Phosphor Bronze Tin-Plated

