

2.0 Pitch 2070 SERIES CONNECTOR



2.0 mm Pitch Wire-to-Board Connector



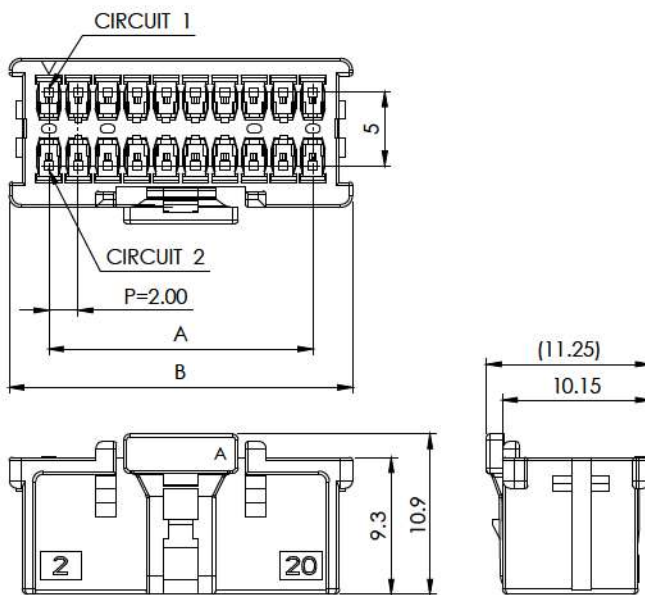
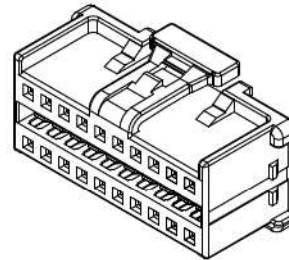
Specifications

- ◇ Current rating: 2.5A AC/DC Max.
- ◇ Voltage Range: 250V AC,DC
- ◇ Withstand Voltage: 1000V AC/Minute
- ◇ Contact Resistance: 20 mΩ Max. before environment test
- ◇ Insulation Resistance: 1000 MΩ Min.
- ◇ Temperature Range: -25° C to 85° C

Reference

- ◇ Mates with 2071PxxD3T-SB series Dual-Row Type-B Header
- ◇ Use with 2005T3 series Terminal
- ◇ Certifications: refer to 2070S series
- ◇ Applicable wire gauge: AWG 24 - 28

2070S Dual-Row Plug Housing (Type-B)



Ordering Information

Circuits	Part No.	Dimension	
		A	B
8	2070S08D0-SB	6.0	11.4
10	2070S10D0-SB	8.0	13.4
12	2070S12D0-SB	10.0	15.4
14	2070S14D0-SB	12.0	17.4
16	2070S16D0-SB	14.0	19.4
18	2070S18D0-SB	16.0	21.4
20	2070S20D0-SB	18.0	23.4
22	2070S22D0-SB	20.0	25.4
24	2070S24D0-SB	22.0	27.4
26	2070S26D0-SB	24.0	29.4
28	2070S28D0-SB	26.0	31.4

Material

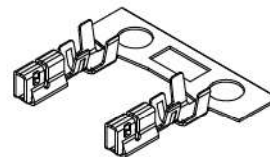
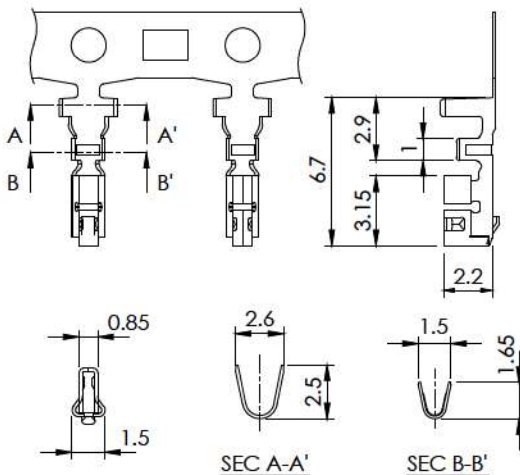
Part	Material / Finish
Housing	Nylon 66 94V-0, white (natural)

※ Color Identification: the following alphabet shall be put
 ex. 2070S20 D0 - S B
 20... Circuit no. R... red, M... green, E... blue
 Y... yellow, H... gray, S... natural color

Reference

- ◇ Use with 2070SxxD0-SB Type-B series Plug Housing

2005T3 Crimp Terminal



Ordering Information

Part No.	Applicable Wire		
	AWG #	Insulation O.D. mm	Q'ty / Reel
2005T311R	24 - 28	1.6 Max.	12,000

Material

Part No.	Material / Finish
2005T311R	Phosphor Bronze Tin-Plated

2.0 Pitch 2070 SERIES CONNECTOR



2.0 mm Pitch Wire-to-Board Connector

ROHS REACH LF HFA GWT

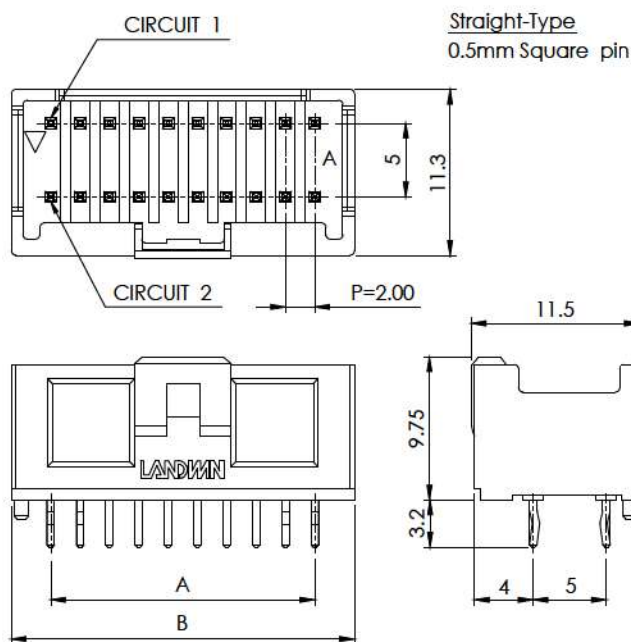
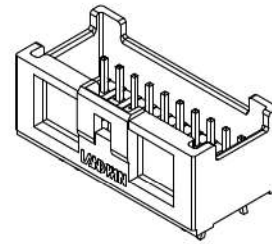
2071P Dual-Row DIP Header (Type-B)

Specifications

- ◇ Current rating: 2.5A AC/DC Max.
- ◇ Voltage Range: 250V AC,DC
- ◇ Withstand Voltage: 1000V AC/Minute
- ◇ Contact Resistance: 20 mΩ Max. before environment test
- ◇ Insulation Resistance: 1000 MΩ Min.
- ◇ Temperature Range: -25° C to 85° C

Reference

- ◇ Mates with 2070SxxD0-SB series Dual-Row Type-B Plug Housing
- ◇ Certifications: refer to 2070S series
- ◇ GWT 750° C rated product is available



Ordering Information

Circuits	Part No.	Dimension	
		A	B
8 ※	2071P08D3T-SB	6.0	11.4
10 ※	2071P10D3T-SB	8.0	13.4
12 ※	2071P12D3T-SB	10.0	15.4
14 ※	2071P14D3T-SB	12.0	17.4
16 ※	2071P16D3T-SB	14.0	19.4
18 ※	2071P18D3T-SB	16.0	21.4
20 ※	2071P20D3T-SB	18.0	23.4
22 ※	2071P22D3T-SB	20.0	25.4
24 ※	2071P24D3T-SB	22.0	27.4
26 ※	2071P26D3T-SB	24.0	29.4
28 ※	2071P28D3T-SB	26.0	31.4

Material

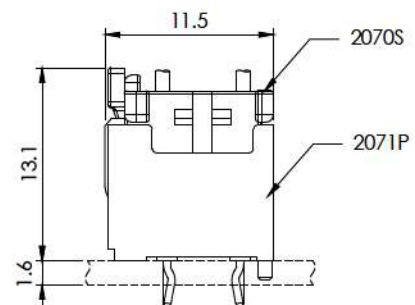
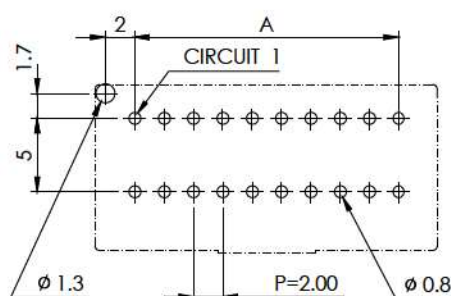
Part	Material / Finish
Base	Glass-filled PBT 94V-0, white (natural)
Contact	Brass, Matte tin-plated

※ Color Identification: the following alphabet shall be put
 ex. 2071P40 D3T - S B
 40... Circuit no. R... red, E... blue, Y... yellow,
 H... gray, S... white (natural color)

※ P/N for Halogen-Free replacement:
 ex. 2071P40 D3T - S B NH
 40... Circuit no. S... white (natural color) NH... Halogen-Free

P.C. Board Layout / Assembly Layout

Straight Type



2.0 Pitch 2070 SERIES CONNECTOR



2.0 mm Pitch Wire-to-Board Connector

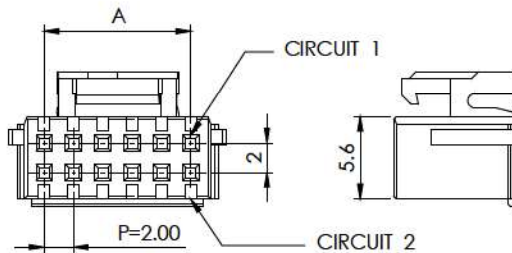
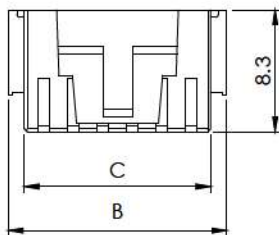


Specifications

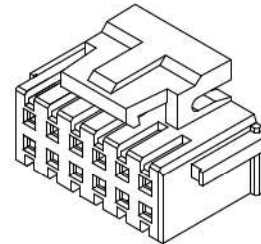
- ◇ Current rating: 3A AC/DC Max.
- ◇ Voltage Range: 250V AC,DC
- ◇ Withstand Voltage: 800V AC/Minute
- ◇ Contact Resistance: 10 mΩ Max. before environment test
- ◇ Insulation Resistance: 1000 MΩ Min.
- ◇ Temperature Range: -40° C to 85° C

Reference

- ◇ Mates with 2071PxxD3T-SE, 2072PxxD3T-SE Dual-Row Type-E Header
- ◇ Use with 2053T series Crimp Terminal
- ◇ Certifications: refer to 2070S series
- ◇ Applicable wire gauge: AWG 24 - 28
- Special applied wire gauge: AWG 22 - 26



2070S Dual-Row Plug Housing (Type-E) Under development



Ordering Information

Circuits	Part No.	Dimension		
		A	B	C
12 ※	2070S12D0-SE	10.0	14.9	12.7
24 ※	2070S24D0-SE	22.0	26.9	24.7

Material

Part	Material / Finish
Housing	Nylon 66 94V-0, white (natural)

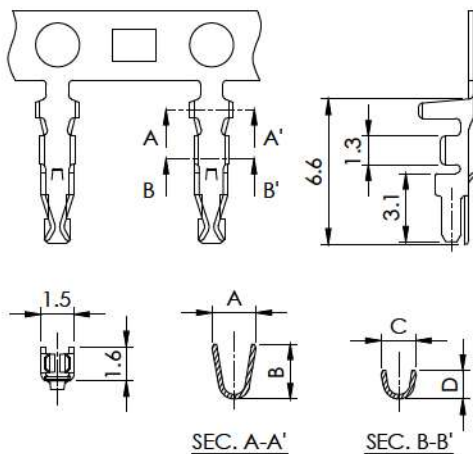
※ Color Identification: the following alphabet shall be put, ex. 2070S24 D0 - S E

24... Circuit no. S... white (natural), b... black color

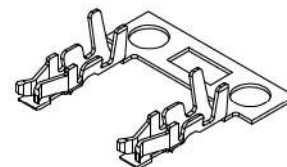
※ Contact sales for more available P/N up to date.

Reference

- ◇ Use with 2050S, 2070Sxx00, 2070SxxD0-SE series Plug Housing



2053T Crimp Terminal



Ordering Information

Part No.	Applicable Wire			Q'ty / Reel
	AWG #	Insulation O.D. mm		
2053T011R	24 - 28	1.5 Max.		12,000
2053T021R	22 - 26	1.5 Max.		12,000

Part No.	A	B	C	D
2053T011R	2.1	2.5	1.6	1.3
2053T021R	2.1	2.5	1.7	1.5

2.0 Pitch 2070 SERIES CONNECTOR



2.0 mm Pitch Wire-to-Board Connector

RoHS REACH LF HFA GWT

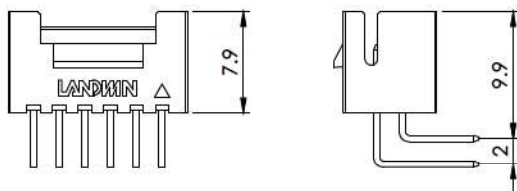
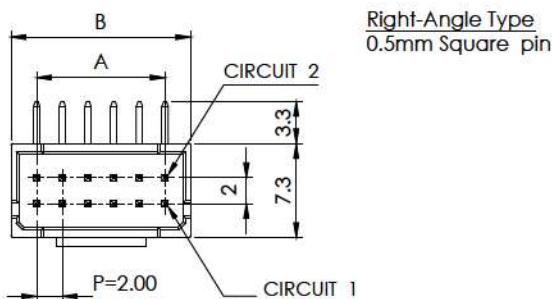
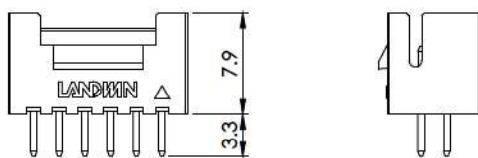
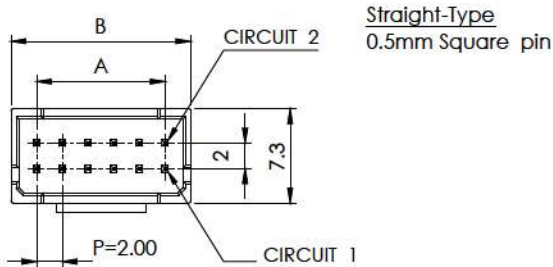
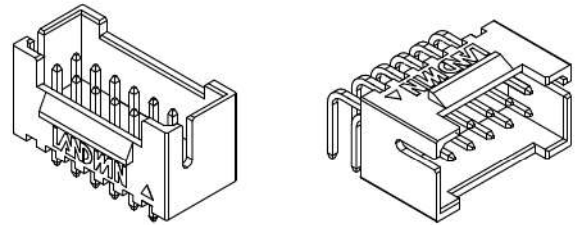
Specifications

- ◇ Current rating: 3A AC/DC Max.
- ◇ Voltage Range: 250V AC,DC
- ◇ Withstand Voltage: 800V AC/Minute
- ◇ Contact Resistance: 10 mΩ Max. before environment test
- ◇ Insulation Resistance: 1000 MΩ Min.
- ◇ Temperature Range: -40° C to 85° C

Reference

- ◇ Mates with 2070SxxD0-SE series Dual-Row type-E Plug Housing
- ◇ Certifications: refer to 2070S series

2071P, 2072P Dual-Row DIP Header (Type-E)



Ordering Information

Circuits	Part No.		Dimension	
	Straight	Right-Angle	A	B
12	2071P12D3T-SE	2072P12D3T-SE	10.0	14.0
18	2071P18D3T-SE	2072P18D3T-SE	16.0	20.0
24	2071P24D3T-SE	2072P24D3T-SE	22.0	26.0

Material

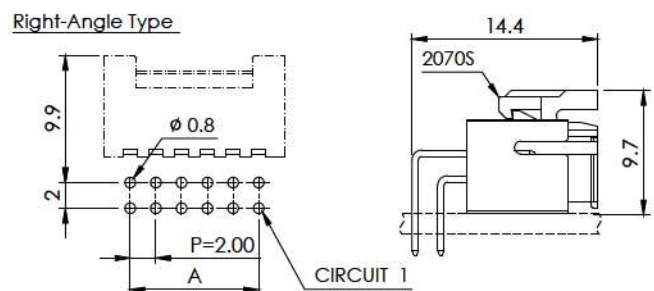
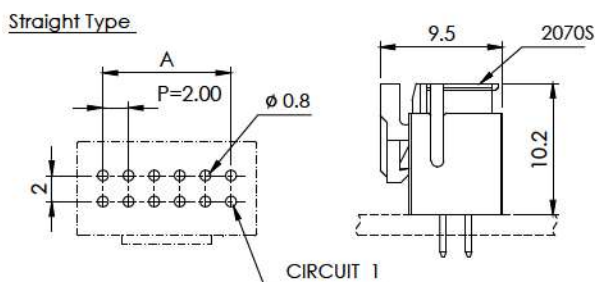
Part	Material / Finish
Base	Glass-filled Nylon 66 94V-0, Light ivory color
Contact	Brass, Matte tin-plated

※ Color Identification: the following alphabet shall be put,
 ex. 2071P24 D3T - S E
 ex. 2072P24 D3T - S E
 24... Circuit no. B... black, R... red, E... blue, H... gray,
 S... light Ivory(natural color)

※ P/N for Halogen-Free replacement:
 ex. 2071P24 D3T - S E NH
 ex. 2072P24 D3T - S E NH
 24... Circuit no. S... Light Ivory (natural), NH... Halogen-Free

※ Contact sales for more available P/N up to date.

P.C. Board Layout / Assembly Layout



2.0 Pitch 2070 SERIES CONNECTOR



2.0 mm Pitch Wire-to-Board Connector



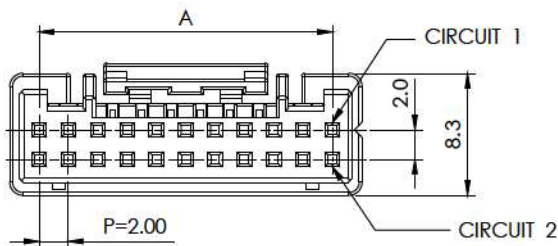
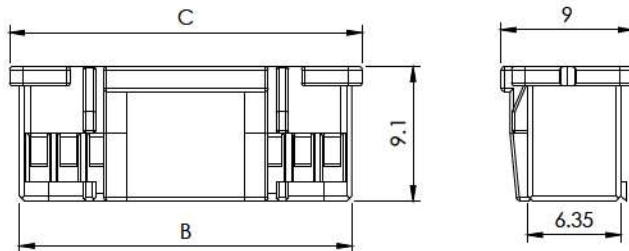
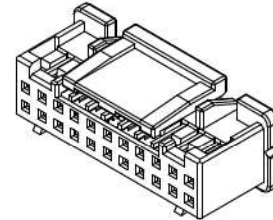
Specifications

- ◇ Current rating: 3A AC/DC Max.
- ◇ Voltage Range: 250V AC,DC
- ◇ Withstand Voltage: 800V AC/Minute
- ◇ Contact Resistance: 10 mΩ Max. before environment test
- ◇ Insulation Resistance: 1000 MΩ Min.
- ◇ Temperature Range: -40° C to 105° C

Reference

- ◇ Mates with 2071PxxD3T-SP Dual-Row Type-P Header
- ◇ Use with 2073TP series Crimp Terminal
- ◇ Certifications: refer to 2070S series
- ◇ Applicable wire gauge: AWG 24 - 28

2070S Dual-Row Plug Housing (Type-P)



Ordering Information

Circuits	Part No.	Dimension		
		A	B	C
22	2070S22D0-SP	20.0	22.7	24.0

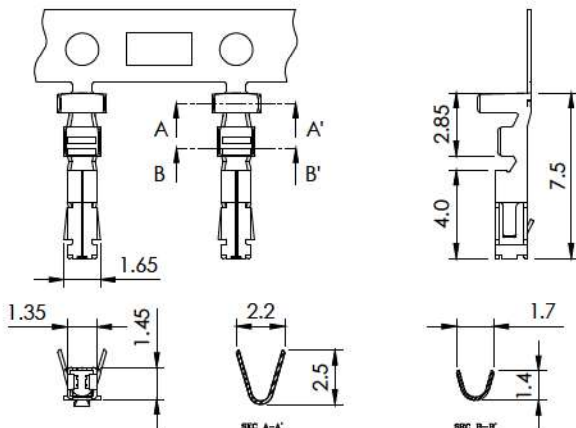
Material

Part	Material / Finish
Housing	Nylon 66 94V-0, white (natural)

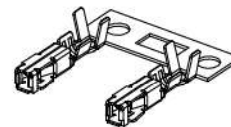
- ※ Color Identification: the following alphabet shall be put, ex. 2070S22 D0 - S P
22... Circuit no. S... white (natural), b... black color
- ※ Contact sales for more available P/N up to date.

Reference

- ◇ Use with 2070SxxD0-SP series Plug Housing



2073TP Crimp Terminal



Ordering Information

Part No.	Applicable Wire		
	AWG #	Insulation O.D. mm	Q'ty / Reel
2073TP21R	24 - 28	1.5 Max.	15,000

Material

Part No.	Material / Finish
2073TP21R	Phosphor Bronze Tin-Plated

2.0 Pitch 2070 SERIES CONNECTOR



2.0 mm Pitch Wire-to-Board Connector

RoHS REACH LF HFA GWT

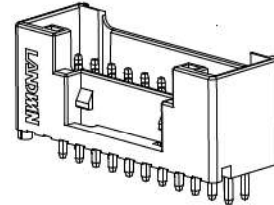
2071P Dual-Row DIP Header (Type-P)

Specifications

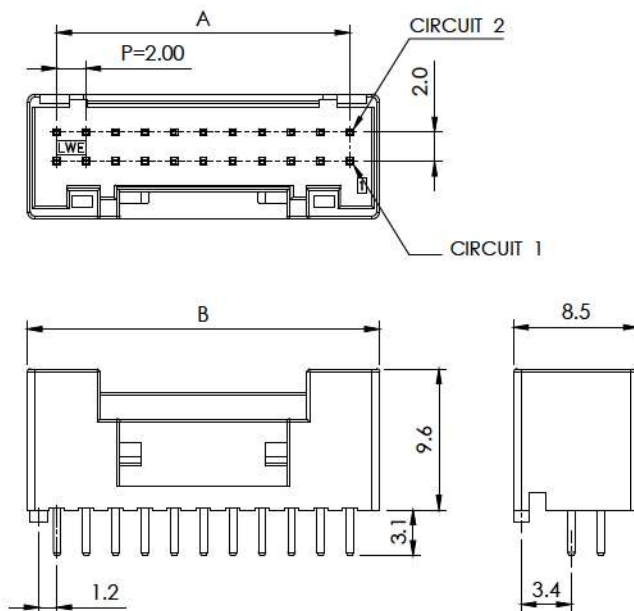
- ◇ Current rating: 3A AC/DC Max.
- ◇ Voltage Range: 250V AC,DC
- ◇ Withstand Voltage: 800V AC/Minute
- ◇ Contact Resistance: 10 mΩ Max. before environment test
- ◇ Insulation Resistance: 1000 MΩ Min.
- ◇ Temperature Range: -40° C to 105° C

Reference

- ◇ Mates with 2070SxxD0-SP series Dual-Row type-E Plug Housing
- ◇ Certifications: refer to 2070S series



Straight-Type
0.5mm Square pin



Ordering Information

Circuits	Part No.	Dimension	
	Straight	A	B
22	2071P22D1T-SP	20.0	24.0

Material

Part	Material / Finish
Base	Glass-filled Nylon 66 94V-0, Light ivory color
Contact	Brass, tin-plated

※ Color Identification: the following alphabet shall be put,
ex. 2071P22 D1T - S P

22... Circuit no. B... black, R... red , E... blue, H... gray,
S... light ivory(natural color)

※ P/N for Halogen-Free replacement:
ex. 2071P22 D1T - S P NH

22... Circuit no. S... Light Ivory (natural color), NH... Halogen-Free

※ Contact sales for more available P/N up to date.

P.C. Board Layout / Assembly Layout

Straight Type

