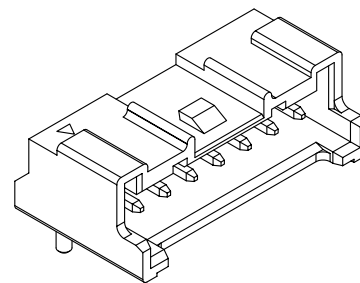
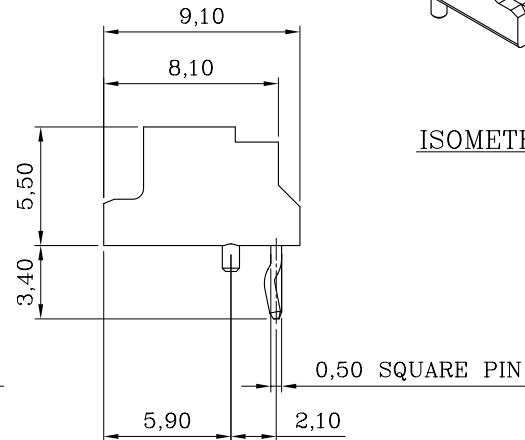
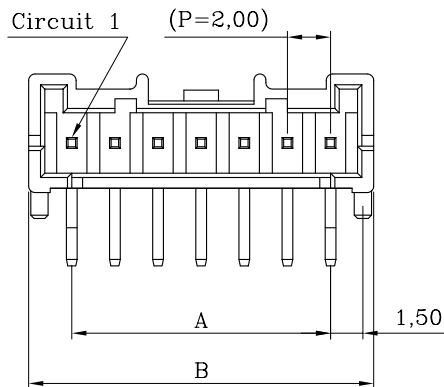
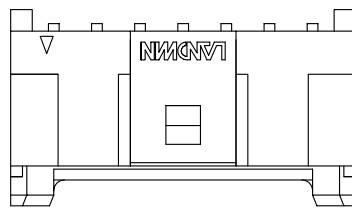


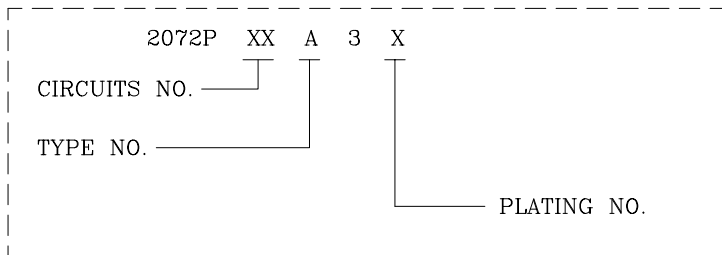
ORDER INFORMATION AND DIMENSION:

Circuits	Part No. (Matte tin, white color)	Dimension	
		A	B
2	2072P02A3T	2.0	6.0
3	2072P03A3T	4.0	8.0
4	2072P04A3T	6.0	10.0
5	2072P05A3T	8.0	12.0
6	2072P06A3T	10.0	14.0
7	2072P07A3T	12.0	16.0
8	2072P08A3T	14.0	18.0
9	2072P09A3T	16.0	20.0
10	2072P10A3T	18.0	22.0
11	2072P11A3T	20.0	24.0
12	2072P12A3T	22.0	26.0
13	2072P13A3T	24.0	28.0
14	2072P14A3T	26.0	30.0
15	2072P15A3T	28.0	32.0
16	2072P16A3T	30.0	34.0



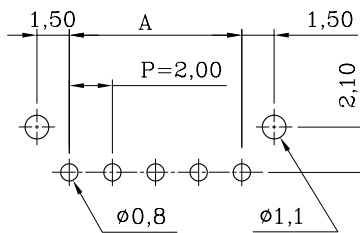
ISOMETRIC VIEW

DESCRIPTION OF ORDER NO.:

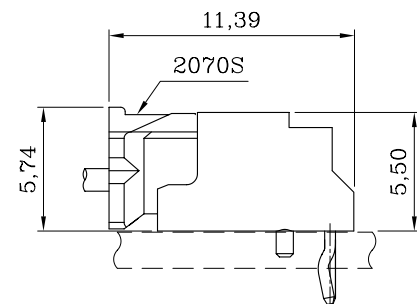


NOTES:

- MATERIAL:
BASE: GLASS-FILLED P.B.T. 94V-0, WHITE COLOR (NATURAL)
CONTACT PIN: BRASS
- MATES WITH 2070S SINGLE-ROW PLUG HOUSING.
- DESCRIPTION OF COLOR CODE:
LEGEND: 2072PXXA3X-X (-X: COLOR CODE)
B=BLACK, C=COCONUT BROWN, E=BLUE, H=GRAY,
I=BRICK RED, M=GREEN, R=RED, W=BROWN
- REPLACEMENT OF HALOGEN-FREE PRODUCT:
LEGEND: 2072PXXA3X-XNH (NH: HALOGEN-FREE)
LEGEND: 2072PXXA3X-SNH (S=NATURAL COLOR)



P.C. BOARD LAYOUT



ASSEMBLY LAYOUT



Sales Drawing

LANDWIN 聯盈電子股份有限公司
LANDWIN ELECTRONIC CORP.

MATERIAL: SEE NOTES		PROJECTION		SCALE	UNIT	SHEET NO.	REV
FINISH(COLOR): SEE NOTES		TOLERANCE:		FREE	MM	1 / 1	W1
		DRAWN		R.G.	DRAW NO.		
		CHECKED		J.L.Lin	(CQ) 2072PXXA3X		
		APPD		H.Y.Lin	TITLE:		
W1	NEW RELEASE	31-DEC-14'	ANGULAR ±3°	DATE 31-DEC-14'	2.00 PITCH SINGLE-ROW RIGHT-ANGLE DIP-HEADER		
REV.	REVISION RECORD	DATE					

DESCRIPTION OF PLATING CODE

T	MATTE TIN-PLATED	1	GOLD FLASH-PLATED
---	------------------	---	-------------------