

2.5 Pitch 2550 SERIES CONNECTOR



2.5 mm Pitch Wire-to-Wire Connector

RoHS REACH LF HFA GWT

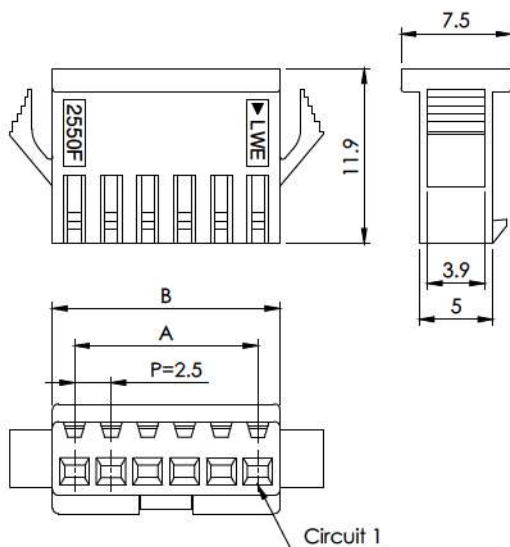
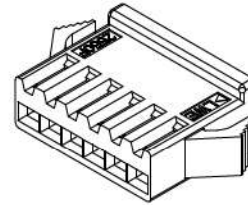
Specifications

- ◇ Current rating: 3A AC/DC Max.
- ◇ Voltage Range: 250V AC,DC
- ◇ Withstand Voltage: 1500V AC/Minute
- ◇ Contact Resistance: 20 mΩ Max. before environment test
- ◇ Insulation Resistance: 500 MΩ Min.
- ◇ Temperature Range: -25° C to 85° C

Reference

- ◇ Mates with 2550M series Receptacle Housing
- ◇ Use with 2550TF series Crimp Terminal
- ◇ Certification: UL, CSA
- ◇ GWT 750° C rated product is available

2550F Plug Housing



Ordering Information

| Circuits | Part No. | Dimension | |
|----------|------------|-----------|------|
| | | A | B |
| 2 | 2550F02 00 | 2.5 | 5.5 |
| 3 | 2550F03 00 | 5.0 | 8.0 |
| 4 | 2550F04 00 | 7.5 | 10.5 |
| 5 | 2550F05 00 | 10.0 | 13.0 |
| 6 | 2550F06 00 | 12.5 | 15.5 |
| 7 | 2550F07 00 | 15.0 | 18.0 |
| 8 | 2550F08 00 | 17.5 | 20.5 |
| 9 | 2550F09 00 | 20.0 | 23.0 |
| 10 | 2550F10 00 | 22.5 | 25.5 |
| 11 | 2550F11 00 | 25.0 | 28.0 |
| 12 | 2550F12 00 | 27.5 | 30.5 |

Material

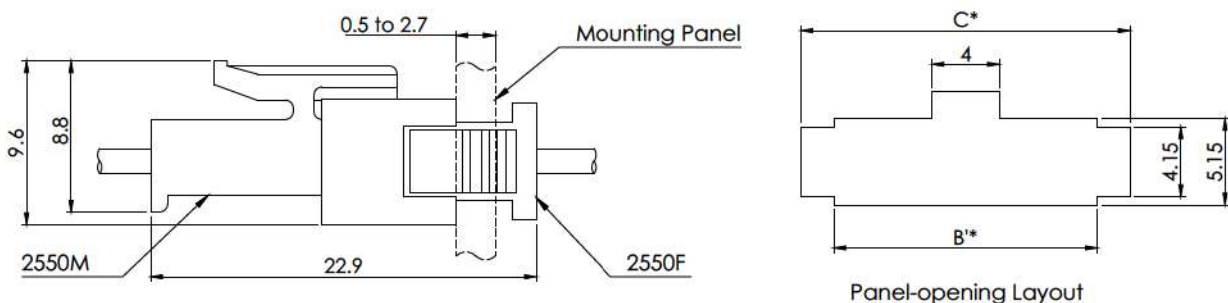
| Part | Material / Finish |
|---------|-----------------------|
| Housing | Nylon 66 94V-0, Black |

※ Color Identification: the following alphabet shall be put, ex. 2550F 06 00 - E
06... Circuit no. E... Blue, S... White color.

Panel Opening Dimension

| Circuits | Dimension | | Circuits | Dimension | |
|----------|-----------|------|----------|-----------|------|
| | B* | C* | | B* | C* |
| 2 | 5.7 | 9.6 | 8 | 20.7 | 24.6 |
| 3 | 8.2 | 12.1 | 9 | 23.2 | 27.1 |
| 4 | 10.7 | 14.6 | 10 | 25.7 | 29.6 |
| 5 | 13.2 | 17.1 | 11 | 28.2 | 32.1 |
| 6 | 15.7 | 19.6 | 12 | 30.7 | 34.6 |
| 7 | 18.2 | 22.1 | | | |

P.C. Board Layout / Assembly Layout



2.5 Pitch 2550 SERIES CONNECTOR



2.5 mm Pitch Wire-to-Wire Connector

RoHS REACH LF HFA GWT

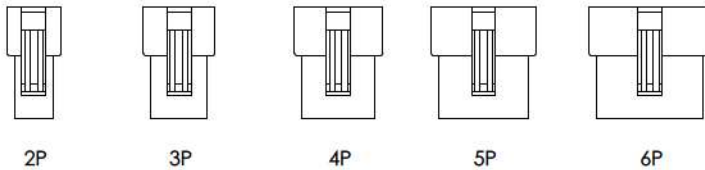
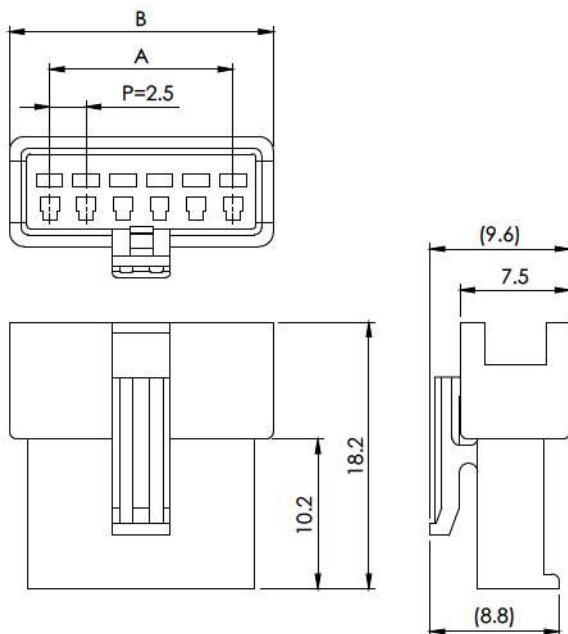
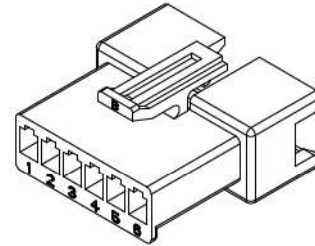
Specifications

- ◇ Current rating: 3A AC/DC Max.
- ◇ Voltage Range: 250V AC,DC
- ◇ Withstand Voltage: 1500V AC/Minute
- ◇ Contact Resistance: 20 mΩ Max. before environment test
- ◇ Insulation Resistance: 500 MΩ Min.
- ◇ Temperature Range: -25° C to 85° C

Reference

- ◇ Mates with 2550F series Plug Housing
- ◇ Use with 2550TM series Crimp Terminal
- ◇ Certification: UL, CSA
- ◇ GWT 750° C rated product is available

2550M Receptacle Housing



Ordering Information

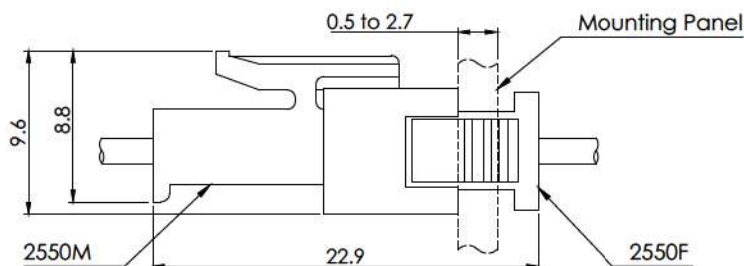
| Circuits | Part No. | Dimension | |
|----------|------------|-----------|------|
| | | A | B |
| 2 | 2550M02 00 | 2.5 | 8.0 |
| 3 | 2550M03 00 | 5.0 | 10.5 |
| 4 | 2550M04 00 | 7.5 | 13.0 |
| 5 | 2550M05 00 | 10.0 | 15.5 |
| 6 | 2550M06 00 | 12.5 | 18.0 |
| 7 | 2550M07 00 | 15.0 | 20.5 |
| 8 | 2550M08 00 | 17.5 | 23.0 |
| 9 | 2550M09 00 | 20.0 | 25.5 |
| 10 | 2550M10 00 | 22.5 | 28.0 |
| 11 | 2550M11 00 | 25.0 | 30.5 |
| 12 | 2550M12 00 | 27.5 | 33.0 |

Material

| Part | Material / Finish |
|---------|-----------------------|
| Housing | Nylon 66 94V-0, Black |

※ Color Identification: the following alphabet shall be put,
ex. 2550M 06 00 - E
06... Circuit no. E... Blue, S... White Color,

P.C. Board Layout / Assembly Layout



2.5 Pitch 2550 SERIES CONNECTOR



2.5 mm Pitch Wire-to-Wire Connector



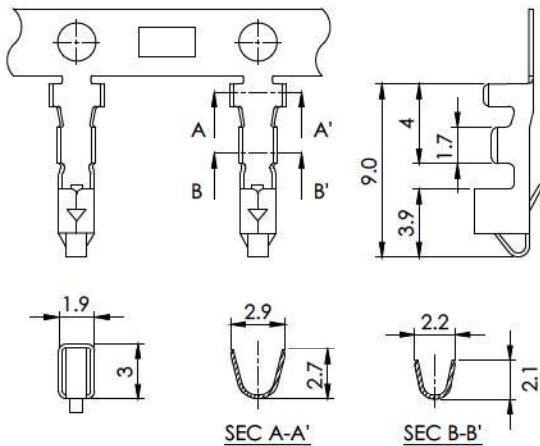
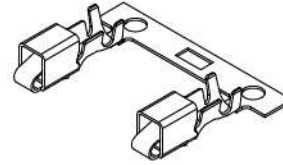
Specifications

- ◇ Current rating: 3A AC/DC
- ◇ Voltage Range: 250V AC,DC
- ◇ Contact Resistance: 20 mΩ Max. before environment test
- ◇ Temperature Range: -25° C to 85° C

Reference

- ◇ Use with 2550F series Plug Housing
- ◇ Mates with 2550TM series Pin-Contact Crimp Terminal

2550TF Crimp Terminal



Ordering Information

| Part No. | Applicable Wire | | Q'ty / Reel |
|-----------|-----------------|--------------------|-------------|
| | AWG # | Insulation O.D. mm | |
| 2550TF11R | 22 - 28 | 1.8 Max. | 6,000 |

Material

| Part No. | Material / Finish |
|-----------|-----------------------------|
| 2550TF11R | Phosphor Bronze, Tin-plated |

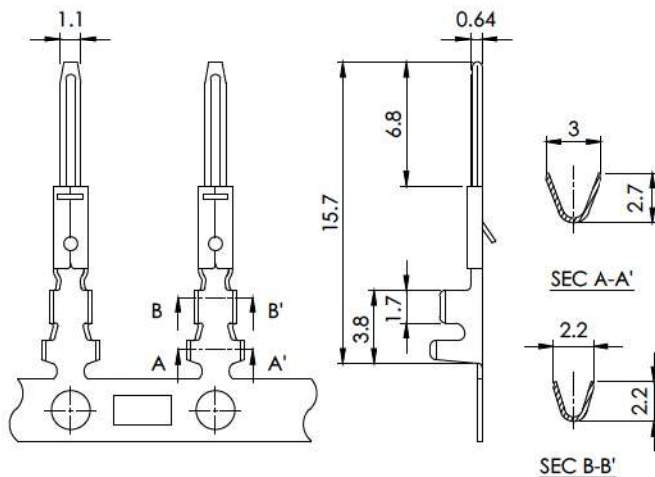
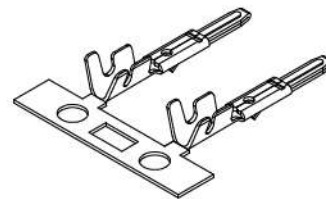
Specifications

- ◇ Current rating: 3A AC/DC (AWG 24)
- ◇ Voltage Range: 250V AC,DC
- ◇ Contact Resistance: 20 mΩ Max. before environment test
- ◇ Temperature Range: -25° C to 85° C

Reference

- ◇ Use with 2550M series Receptacle Housing
- ◇ Mates with 2550TF series Crimp Terminal

2550TM Pin-Contact Crimp Terminal



Ordering Information

| Part No. | Applicable Wire | | Q'ty / Reel |
|-----------|-----------------|--------------------|-------------|
| | AWG # | Insulation O.D. mm | |
| 2550TM12R | 22 - 28 | 1.8 Max. | 7,000 |

Material

| Part No. | Material / Finish |
|-----------|-------------------|
| 2550TM12R | Brass, Tin-plated |