

12 11 10 9 8 7 6 5 4 3 2 1

A

B

C

D

E

F

A

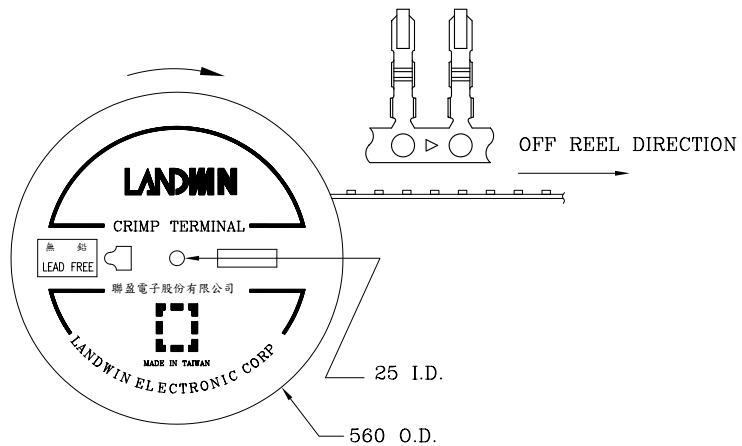
B

C

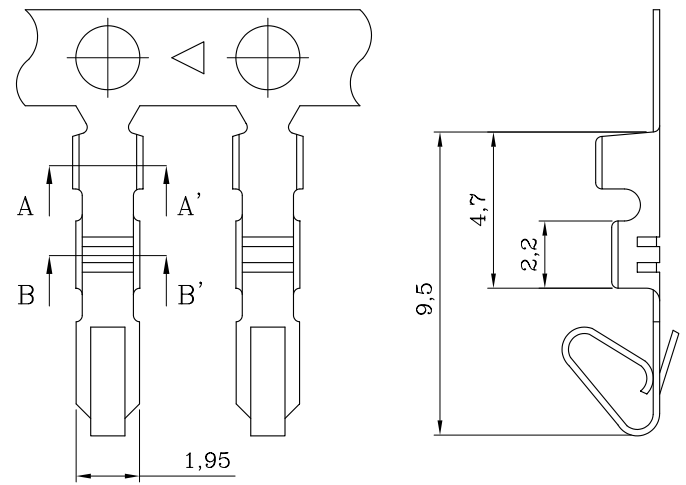
D

E

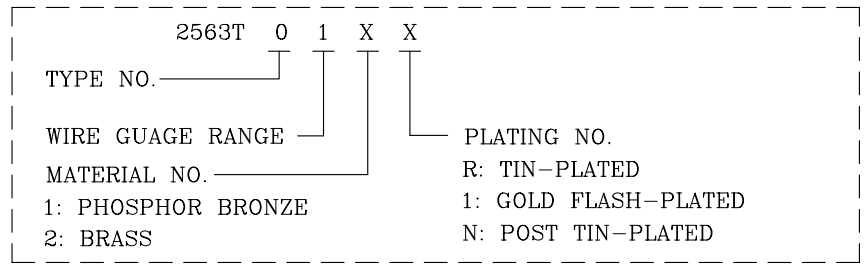
F



ROLL FORM PACKAGE

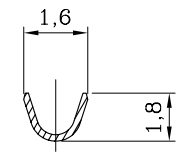
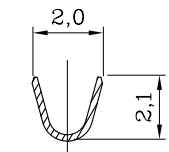
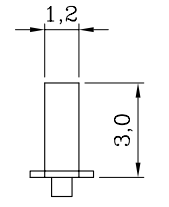


DESCRIPTION OF ORDER NO.:



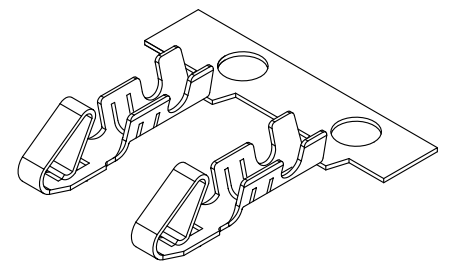
ORDER INFORMATION AND DIMENSION:

ORDER NO.	TERMINAL TYPE	WIRE GAUGE RANGE (AWG)	INSULATION DIAMETER	Q'TY/REEL
2563T011X	CHAIN	#22 ~ #28	ø1.9 MAX.	10,000 PCS
2563T012X	CHAIN	#22 ~ #28	ø1.9 MAX.	10,000 PCS



SEC A-A'

SEC B-B'



ISOMETRIC VIEW

NOTES:

- MATERIAL: PHOSPHOR BRONZE / BRASS
- USE WITH 2560S SERIES PLUG HOUSING
  - <1> 2560S SERIES
  - <2> 2600S SERIES
  - <3> 2510SXX10 SERIES
- INFORMATION IN THIS DRAWING IS NOT CONSIDERED AS FINAL.



Sales Drawing

MATERIAL: SEE NOTES		FINISH(COLOR): SEE NOTES		<b>LANDWIN</b> 聯盈電子股份有限公司 LANDWIN ELECTRONIC CORP.		
GENERAL TOLERANCE:		PROJECTION	SCALE			
		⊕	FREE	MM	1 / 1	W1
		DRAWN	R.G.	DRAW NO.		
		CHECKED	J.L.Lin	(BQ) 2563T01XX		
		APPD	H.Y.Lin	TITLE:		
W1	NEW RELEASE	31-DEC-14'	ANGULAR ±3°	DATE	31-DEC-14'	CRIMP TERMINAL (2560S SERIES)
REV.	REVISION RECORD	DATE				