

2.5 Pitch 2620 SERIES CONNECTOR



2.5 mm Pitch Wire-to-Board Connector

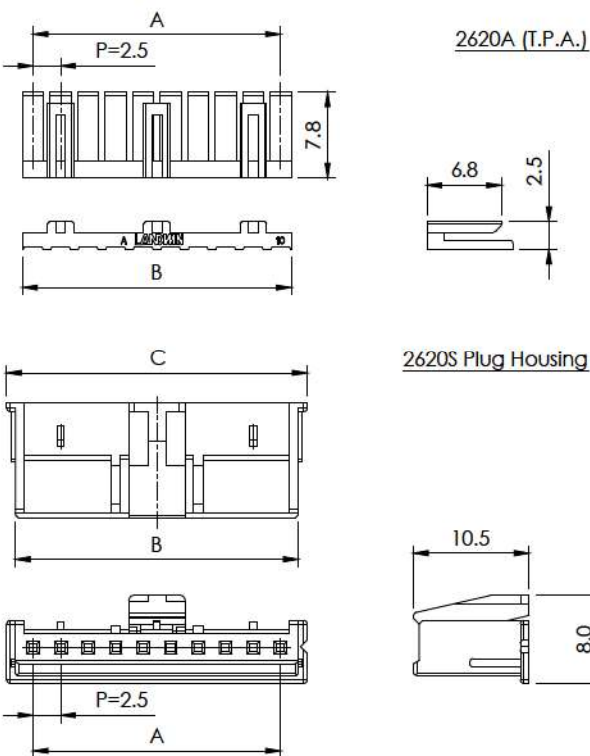


Specifications

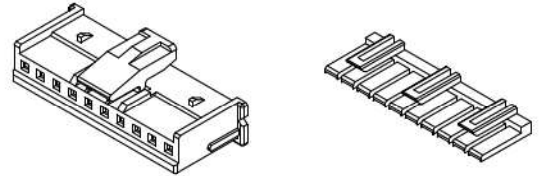
- ◇ Current rating: 3A AC/DC Max.
- ◇ Voltage Range: 250V AC,DC
- ◇ Withstand Voltage: 1000V AC/Minute
- ◇ Contact Resistance: 10 mΩ Max. before environment test
- ◇ Insulation Resistance: 1000 MΩ Min.
- ◇ Temperature Range: -25° C to 85° C

Reference

- ◇ Mates with 2621P, 2622P series DIP Header
- ◇ Mates with 2621P Type-H series DIP Header
- ◇ Use with 2623T series Crimp Terminal
- ◇ Applicable wire gauge: AWG 22 - 28
- ◇ GWT 850°C Compliant Product Available



2620S Plug Housing 2620A T.P.A.



Ordering Information

PIN Nos	Dimension 2620S Plug Housing			PIN Nos	Dimension 2620A (T.P.A.)	
	A	B	C		A	D
2	2.5	5.7	7.3	2	2.5	10.9
3	5.0	8.2	9.8	3	5.0	13.4
4	7.5	10.7	12.3	4	7.5	15.9
5	10.0	13.2	14.8	5	10.0	11.9
6	12.5	15.7	17.3	6	12.5	14.4
7	15.0	18.2	19.8	7	15.0	16.9
8	17.5	20.7	22.3	8	17.5	19.4
9	20.0	23.2	24.8	9	20.0	21.9
10	22.5	25.7	27.3	10	22.5	24.4
11	25.0	28.2	29.8	11	25.0	26.9
12	27.5	30.7	32.3	12	27.5	29.4
13	30.0	33.2	34.8	13	30.0	31.9
14	32.5	35.7	37.3	14	32.5	34.4
15	35.0	38.2	39.8	15	35.0	36.9

※ PART NUMBER ASSIGNMENT:

ex. 2620S XX A 0 (2620S Plug Housing)

ex. 2620A XX 0 1 (2620A T.P.A.)

XX... Circuit Nos (PIN Numbers)

Plastics material : 0... Nylon 66 94V-0,

1... Glass-filled Nylon 66 94V-0,

※ Color Identification: the following alphabet shall be put,

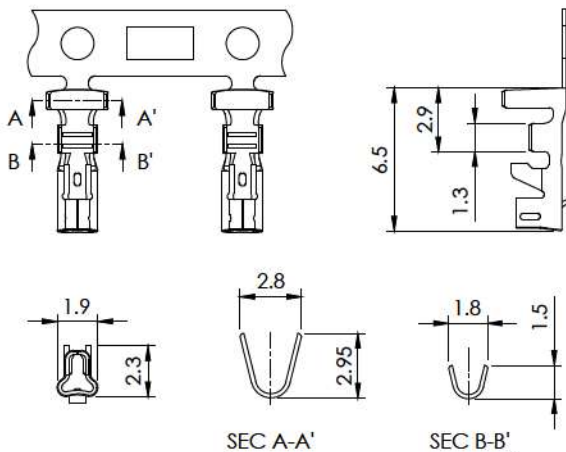
ex. 2620S 10 A 0 - A

ex. 2620A 10 0 1 - R

10... Circuit no. A... Light Ivory, R... Red color,

Reference

- ◇ Use with 2620S series Plug Housing



2623T Crimp Terminal



Ordering Information

Part No.	Applicable Wire		Q'ty / Reel
	AWG #	Insulation O.D. mm	
2623T011R	22 - 28	1.9 Max.	10,000

Material

Part No.	Material / Finish
2623T011R	Phosphor Bronze, Tin-Plated

2.5 Pitch 2620 SERIES CONNECTOR



2.5 mm Pitch Wire-to-Board Connector

ROHS REACH LF HFA GWT

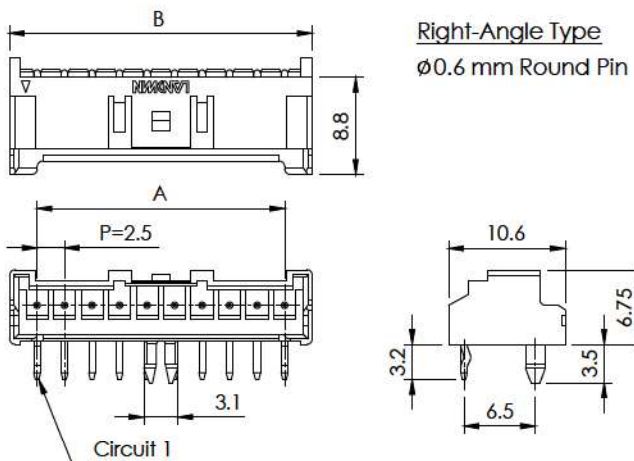
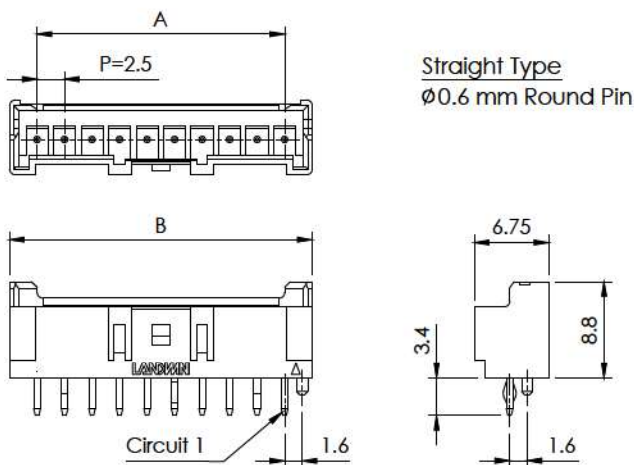
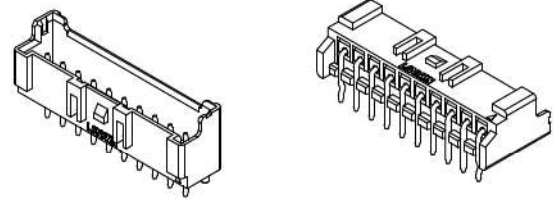
Specifications

- ◇ Current rating: 3A AC/DC Max.
- ◇ Voltage Range: 250V AC,DC
- ◇ Withstand Voltage: 1000V AC/Minute
- ◇ Contact Resistance: 10 mΩ Max. before environment test
- ◇ Insulation Resistance: 1000 MΩ Min.
- ◇ Temperature Range: -25° C to 85° C

Reference

- ◇ Mates with 2620S series Plug Housing
- ◇ Certification: Refer to 2620S series
- ◇ GWT 850° C rated product is available

2621P, 2622P DIP Header



Ordering Information

Circuits	Part No.		Dimension	
	Straight	Right-Angle	A	B
2	2621P02 A1T	2622P02 A1T	2.5	7.5
3	2621P03 A1T	2622P03 A1T	5.0	10.0
4	2621P04 A1T	2622P04 A1T	7.5	12.5
5	2621P05 A1T	2622P05 A1T	10.0	15.0
6	2621P06 A1T	2622P06 A1T	12.5	17.5
7	2621P07 A1T	2622P07 A1T	15.0	20.0
8	2621P08 A1T	2622P08 A1T	17.5	22.5
9	2621P09 A1T	2622P09 A1T	20.0	25.0
10	2621P10 A1T	2622P10 A1T	22.5	27.5
11	2621P11 A1T	2622P11 A1T	25.0	30.0
12	2621P12 A1T	2622P12 A1T	27.5	32.5
13	2621P13 A1T	2622P13 A1T	30.0	35.0
14	2621P14 A1T	2622P14 A1T	32.5	37.5
15	2621P15 A1T	2622P15 A1T	35.0	40.0

Material

Part	Material
Base	Glass-filled Nylon 66 94V-0, Light ivory color
Contact	Brass, Tin-plated

※ PART NUMBER ASSIGNMENT:

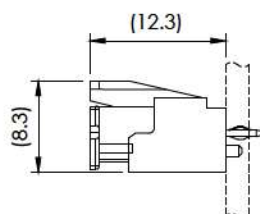
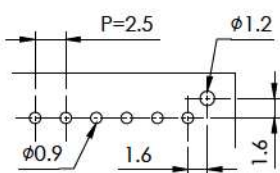
- ex. 2621P 06 A1T (2641P DIP)
- ex. 2642P 06 A1T (2642P DIP)
- 06... Circuit Nos (PIN Numbers)

※ Color Identification: the following alphabet shall be put,

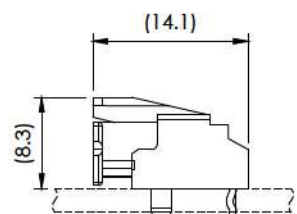
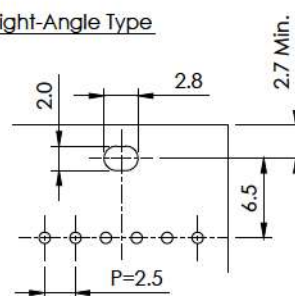
- ex. 2621P 06 A1T - A
- ex. 2642P 06 A1T - R
- 06... Circuit no., A... Light Ivory, R... Red color,

P.C. Board Layout / Assembly Layout

Straight Type



Right-Angle Type



2.5 Pitch 2620 SERIES CONNECTOR



2.5 mm Pitch Wire-to-Board Connector

RoHS REACH LF HFA GWT

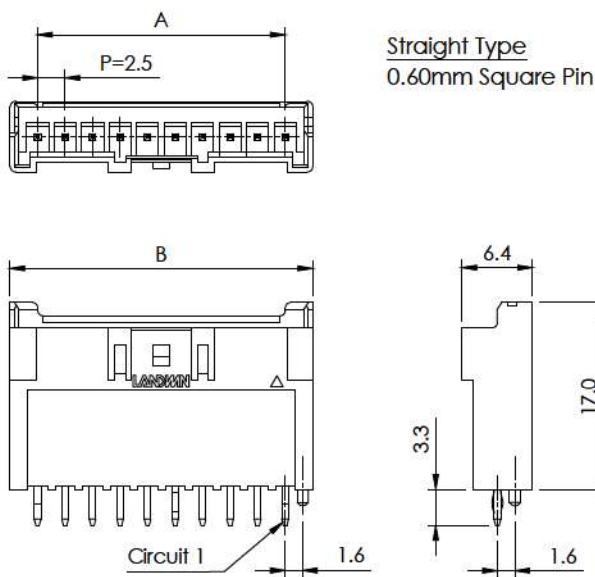
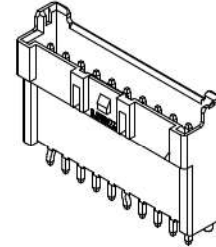
2621P DIP Header (Type H)

Specifications

- ◇ Current rating: 3A AC/DC Max.
- ◇ Voltage Range: 250V AC,DC
- ◇ Withstand Voltage: 1000V AC/Minute
- ◇ Contact Resistance: 10 mΩ Max. before environment test
- ◇ Insulation Resistance: 1000 MΩ Min.
- ◇ Temperature Range: -25° C to 85° C

Reference

- ◇ Mates with 2620S series Plug Housing
- ◇ Certification: Refer to 2620S series
- ◇ GWT 850° C rated product is available



Ordering Information

Circuits	Part No.	Dimension	
		A	B
2	2621P02 H1T	2.5	7.5
3	2621P03 H1T	5.0	10.0
4	2621P04 H1T	7.5	12.5
5	2621P05 H1T	10.0	15.0
6	2621P06 H1T	12.5	17.5
7	2621P07 H1T	15.0	20.0
8	2621P08 H1T	17.5	22.5
9	2621P09 H1T	20.0	25.0
10	2621P10 H1T	22.5	27.5
11	2621P11 H1T	25.0	30.0
12	2621P12 H1T	27.5	32.5
13	2621P13 H1T	30.0	35.0
14	2621P14 H1T	32.5	37.5
15	2621P15 H1T	35.0	40.0

Material

Part	Material
Base	Glass-filled Nylon 66 94V-0, Light ivory color
Contact	Brass, Tin-plated

※ PART NUMBER ASSIGNMENT:

ex. 2621P 03 H1T (2621P DIP Type-H)

03... Circuit Nos (PIN Numbers)

※ Color Identification: the following alphabet shall be put,

ex. 2621P 06 H1T - A

06... Circuit no., A... Light Ivory, R... Red color,

P.C. Board Layout / Assembly Layout

Straight Type

