

12 11 10 9 8 7 6 5 4 3 2 1

A

B

C

D

E

F

A

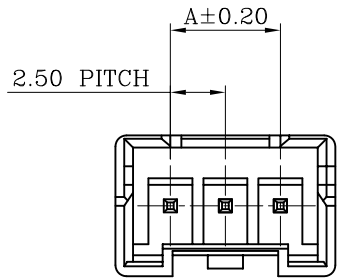
B

C

D

E

F

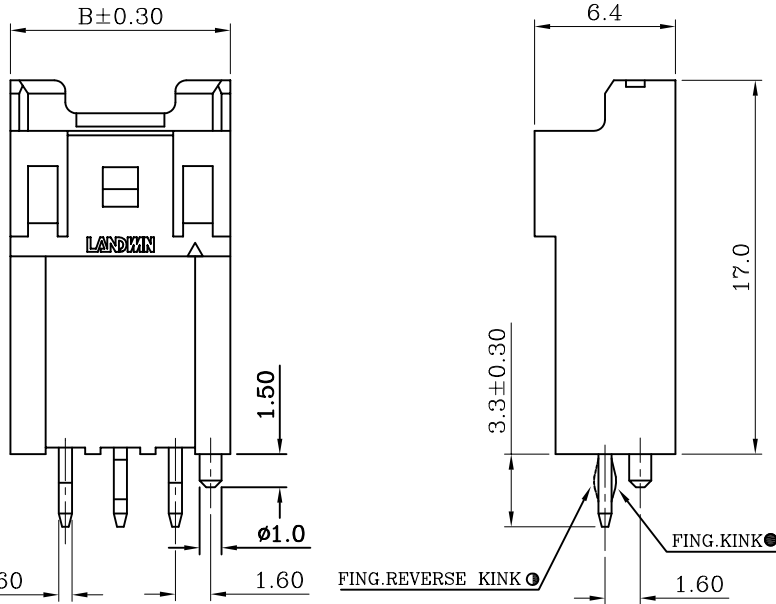


NOTES:

1.MATERIAL NO:
 BASE: NYLON 66-GF15 94V-0
 PIN: BRASS, TIN-PLATED

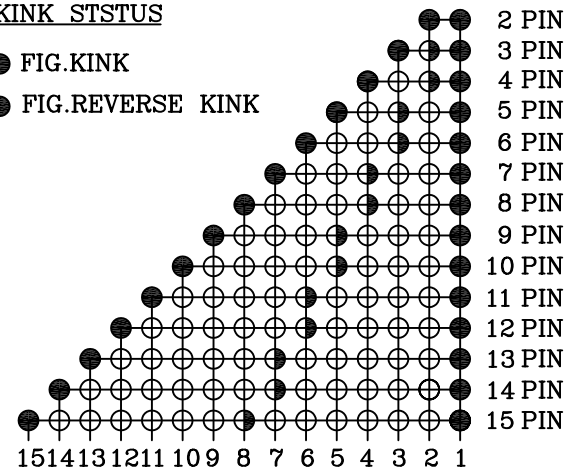
ORDER INFORMATION:

CQ 2621P XX H 1 T (WITH PEG)
 CQ 2621P XX H 1 T - S N WITHOUT PEG
 CIRCUITS NO. _____
 TYPE NO. _____
 H=HIGH BOX TYPE
 COLOR NO. _____
 S=NATURAL
 T=TIN-PLATED
 MATERIAL NO. _____
 1: NYLON 66-GF15 94V-0



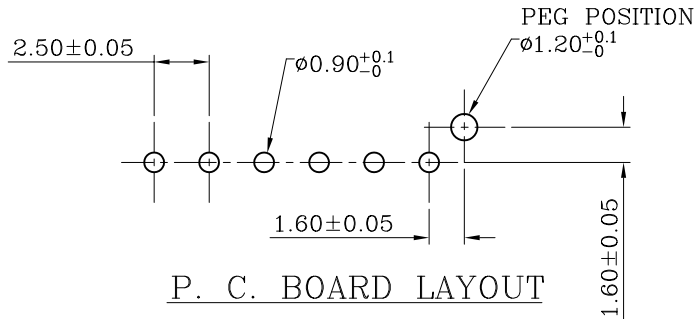
KINK STATUS

- FIG.KINK
- FIG.REVERSE KINK



DIMENSIONS:

CIRCUITS	DIM.A	DIM.B
2	2.50	7.50
3	5.00	10.00
4	7.50	12.50
5	10.00	15.00
6	12.50	17.50
7	15.00	20.00
8	17.50	22.50
9	20.00	25.00
10	22.50	27.50
11	25.00	30.00
12	27.50	32.50
13	30.00	35.00
14	32.50	37.50
15	35.00	40.00



P. C. BOARD LAYOUT

MATERIAL: SEE NOTES				CUSTOMER DRAWING			
FINISH(COLOR): NATURAL COLOR				聯盈電子股份有限公司 LANDWIN ELECTRONIC CORP.			
GENERAL TOLERANCE:		PROJECTION	SCALE	UNIT	SHEET NO.	REV	
		⊕	FREE	MM	1 / 1	A1	
X.X		±0.25	DRAWN	JEFF		DRAW NO.	
X.XX		±0.12	CHECKED	DEMING		(CQ) 2621PXXH1T-XX	
X.XXX		±0.08	APP'D	TITLE:			
A1	NEW RELEASE	22-JUL-15'	ANGULAR ±30'	DATE	22-JUL-15'		2.50mm PITCH HEADER
REV.	REVISION RECORD	DATE	CUSTOMER DRAWING		STRAIGHT HIGH BOX TYPE		

RoHS Compliant