

# 2.5 Pitch 2510 SERIES CONNECTOR



2.5 mm Pitch Wire-to-Board Connector

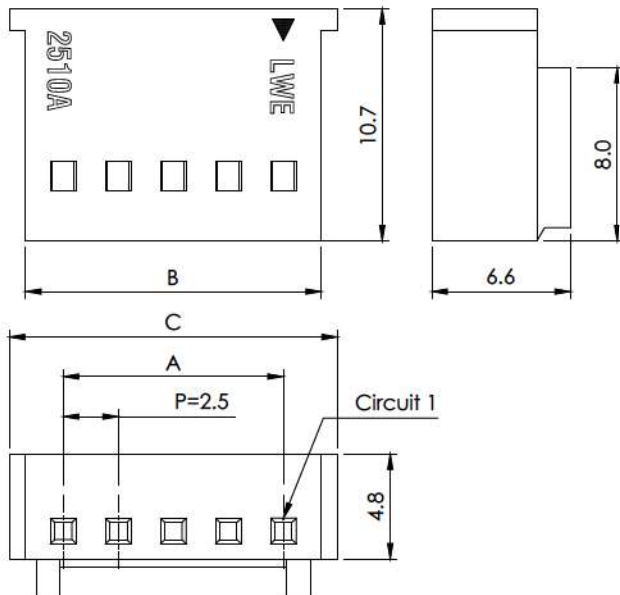


## Specifications

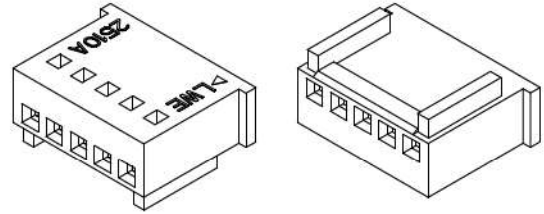
- ◇ Current rating: 3A AC/DC Max.
- ◇ Voltage Range: 250V AC,DC
- ◇ Withstand Voltage: 1000V AC/Minute
- ◇ Contact Resistance: 20 mΩ Max. before environment test
- ◇ Insulation Resistance: 1000 MΩ Min.
- ◇ Temperature Range: -40° C to 105° C

## Reference

- ◇ Mates with 2511P, 2512P series DIP Header
- ◇ Mates with 2640M Type-C series Receptacle Housing
- ◇ Use with 2543T series Crimp Terminal
- ◇ Certification: UL, CSA
- ◇ GWT 850° C rated product is available
- ◇ Applicable wire gauge: AWG 22 - 28



## 2510S Plug Housing (Type A)



## Ordering Information

Circuits	Part No.	Dimension		
		A	B	C
2	2510S02A0	2.5	6.0	7.5
3	2510S03A0	5.0	8.5	10.0
4	2510S04A0	7.5	11.0	12.5
5	2510S05A0	10.0	13.5	15.0
6	2510S06A0	12.5	16.0	17.5
7	2510S07A0	15.0	18.5	20.0
8	2510S08A0	17.5	21.0	22.5
9	2510S09A0	20.0	23.5	25.0
10	2510S10A0	22.5	26.0	27.5
11	2510S11A0	25.0	28.5	30.0
12	2510S12A0	27.5	31.0	32.5
13	2510S13A0	30.0	33.5	35.0
14	2510S14A0	32.5	36.0	37.5
15	2510S15A0	35.0	38.5	40.0

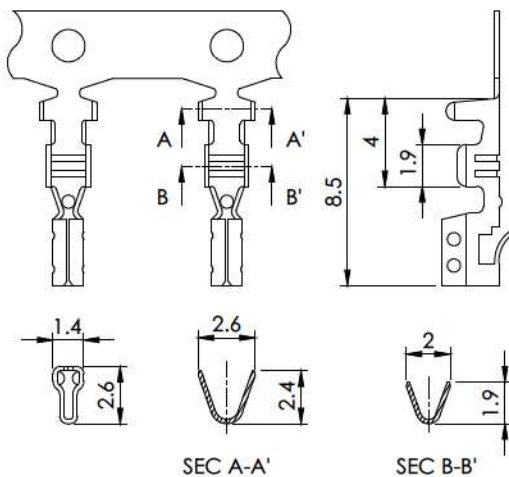
## Material

Part	Material
Housing	Nylon 66 94V-0, Light ivory color

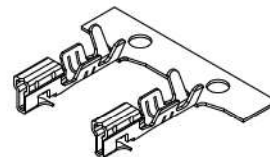
※ Color Identification: the following alphabet shall be added,  
 ex. 2510S 12 A0 - B  
 12... Circuit no.  
 B... Black, E... Blue, R... Red color

## Reference

- ◇ Use with 2510S Type-A, 2540S, 2640S Type-A series Plug Housing



## 2543T Crimp Terminal



## Ordering Information

Part No.	Applicable Wire		Q'ty / Reel
	AWG #	Insulation O.D. mm	
2543T011R	22 - 28	1.9 Max.	10,000

## Material

Part No.	Material	Remark
2543T011R	Phosphor Bronze Tin-Plated	

# 2.5 Pitch 2640 SERIES CONNECTOR



2.5 mm Pitch Wire-to-Wire Connector

RoHS REACH LF HFA GWT

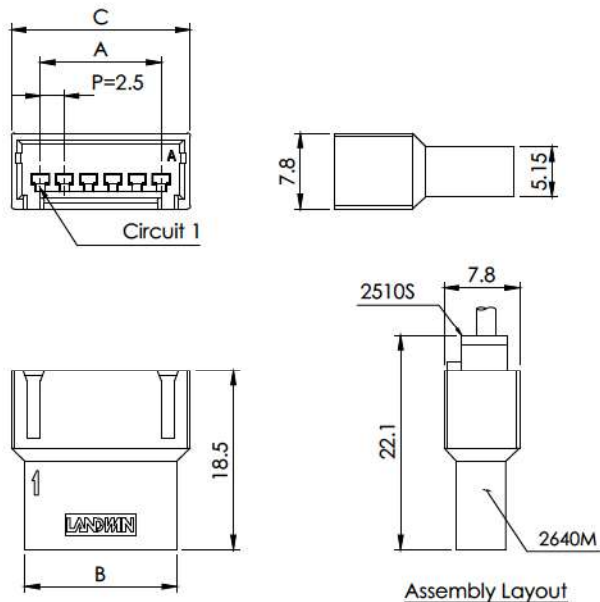
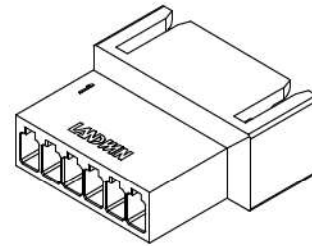
## Specifications

- ◇ Current rating: 3A AC/DC Max.
- ◇ Voltage Range: 250V AC,DC
- ◇ Withstand Voltage: 1000V AC/Minute
- ◇ Contact Resistance: 20 mΩ Max. before environment test
- ◇ Insulation Resistance: 1000 MΩ Min.
- ◇ Temperature Range: -40° C to 105° C

## Reference

- ◇ Mates with 2510S Type-A Series Plug Housing
- ◇ Use with 2643TM2 series Pin-contact Crimp Terminal
- ◇ Certification: Refer to 2640S series
- ◇ GWT 850° C rated product is available
- ◇ Applicable wire gauge: AWG 22 - 28

## 2640M Receptacle Housing (Type C)



## Ordering Information

Circuits	Part No.	Dimension		
		A	B	C
2	2640M02C0	2.5	5.7	8.5
3	2640M03C0	5.0	8.2	11.0
4	2640M04C0	7.5	10.7	13.5
5	2640M05C0	10.0	13.2	16.0
6	2640M06C0	12.5	15.7	18.5

## Material

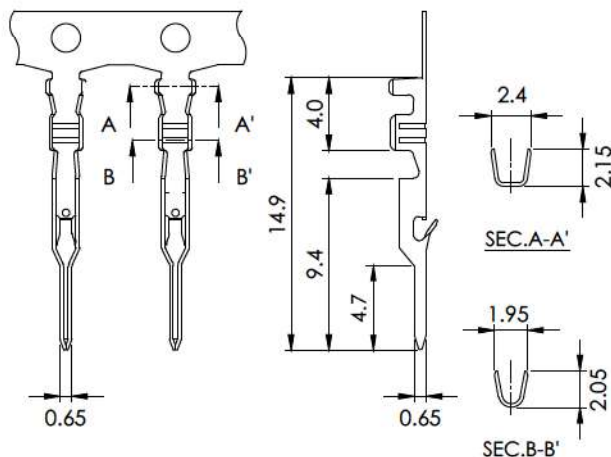
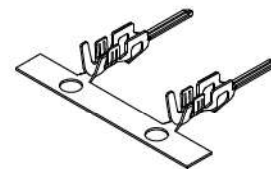
Part	Material
Housing	Nylon 66 94V-0, Light ivory color

- ※ Color Identification: the following alphabet shall be put, ex. 2640M 06 C 0 - B  
06... Circuit no. B... Black, R... Red color,
- ※ Contact sales for available P/N up to date.

## Reference

- ◇ Mates with 2640M Type-C series Receptacle Housing

## 2643TM2 Pin-contact Crimp Terminal



## Ordering Information

Part No.	Applicable Wire		Q'ty / Reel
	AWG #	Insulation O.D. mm	
2643TM22R	22 - 28	1.9 Max.	15,000

## Material

Part No.	Material / Finish
2643TM22R	Brass, Tin-Plated