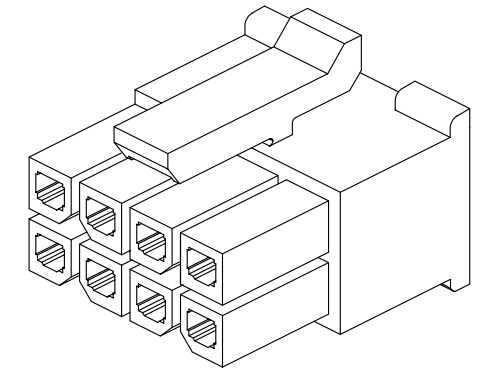
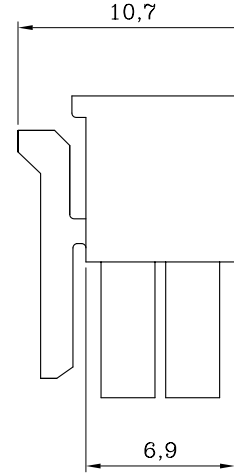
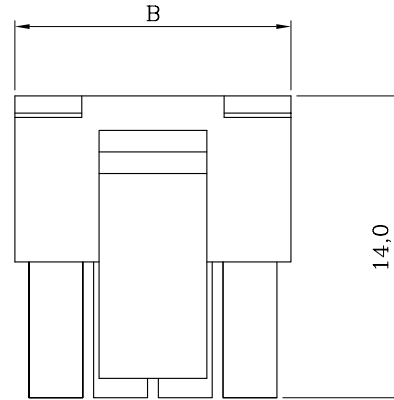


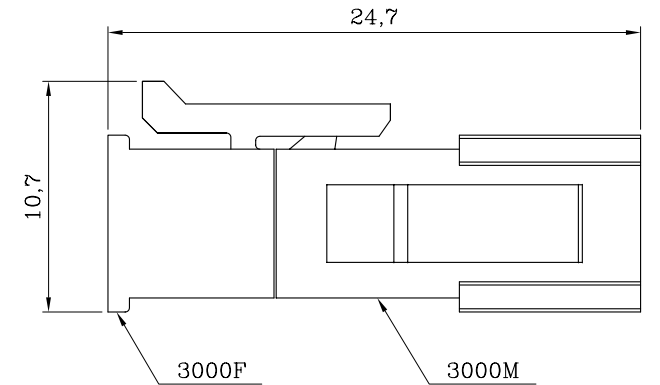
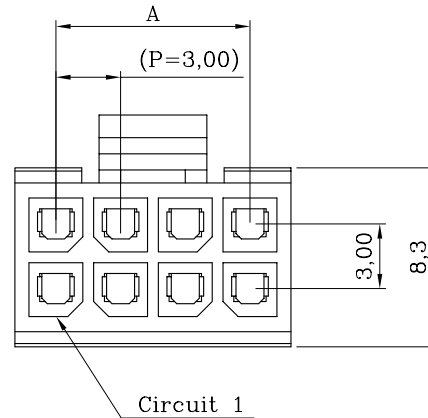
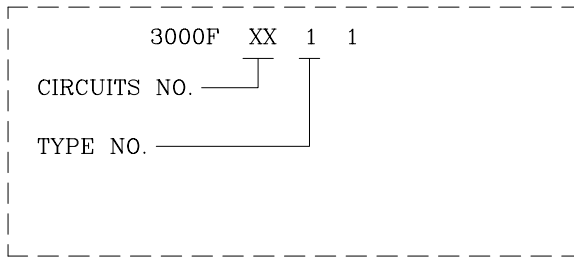
ORDER INFORMATION AND DIMENSION:

Circuits	Part No.	Dimension	
		A	B
2	3000F02 11	N/A	3.8
4	3000F04 11	3.00	6.8
6	3000F06 11	6.00	9.8
8	3000F08 11	9.00	12.8
10	3000F10 11	12.00	15.8
12	3000F12 11	15.00	18.8
14	3000F14 11	18.00	21.8
16	3000F16 11	21.00	24.8
18	3000F18 11	24.00	27.8
20	3000F20 11	27.00	30.8
22	3000F22 11	30.00	33.8
24	3000F24 11	33.00	36.8



ISOMETRIC VIEW

DESCRIPTION OF ORDER NO.:



ASSEMBLY VIEW

NOTES:

- MATERIAL:
BASE: NYLON66 94V-0, BLACK COLOR
- USE WITH 3003TF SERIES CRIMP TERMINAL.
- MATES WITH 3001P, 3002P DUAL-ROW SERIES HEADER.
- MATES WITH 3000M DUAL-ROW SERIES RECEPTACLE HOUSING.
- DESCRIPTION OF COLOR CODE:
LEGEND: 3000FXX11-X (-X: COLOR CODE)
C=COCONUT BROWN, E=BLUE, H=GRAY,
I=BRICK RED, M=GREEN, R=RED, W=BROWN, S=WHITE (NATURAL)
- INFORMATION IN THIS DRAWING IS NOT CONSIDERED AS FINAL.



Sales Drawing

MATERIAL: SEE NOTES		FINISH(COLOR): SEE NOTES	
W1	NEW RELEASE	31-DEC-14'	ANGULAR ±3°
REV.	REVISION RECORD	DATE	

LANDWIN 聯盈電子股份有限公司		LANDWIN ELECTRONIC CORP.	
GENERAL TOLERANCE:	PROJECTION FREE	SCALE MM	SHEET NO. 1 / 1
	DRAWN R.G.	DRAW NO. (AQ) 3000FXX11	
	CHECKED J.L.Lin	TITLE: 3.00 PITCH DUAL-ROW PLUG HOUSING (TYPE-1)	
	APPD H.Y.Lin	DATE 31-DEC-14'	