

3.0 Pitch 3000 SERIES CONNECTOR



3.0 mm Pitch Wire-to-Wire, Wire-to-Board Connector



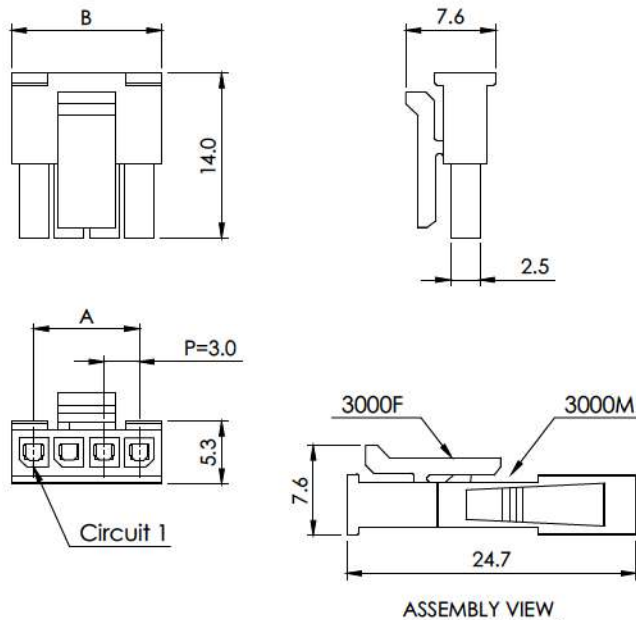
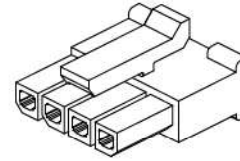
Specifications

- ◇ Current rating: 5A AC/DC Max.
- ◇ Voltage Range: 250V AC,DC
- ◇ Withstand Voltage: 1500V AC/Minute
- ◇ Contact Resistance: 10 mΩ Max. before environment test
- ◇ Insulation Resistance: 1000 MΩ Min.
- ◇ Temperature Range: -40° C to 105° C

Reference

- ◇ Mates with 3001P, 3002P series Single-row Header
- ◇ Use with 3003TF series Crimp Terminal
- ◇ Certification: UL, CSA, TUV
- ◇ GWT 850° C rated product is under development
- ◇ Applicable wire gauge: AWG 20 - 24 and AWG 26 - 30

3000F Single-Row Plug Housing



Ordering Information

| Circuits | Part No. | Dimension | |
|----------|------------|-----------|------|
| | | A | B |
| 2 | 3000F02 01 | 3.00 | 8.3 |
| 3 | 3000F03 01 | 6.00 | 9.8 |
| 4 | 3000F04 01 | 9.00 | 12.8 |
| 5 | 3000F05 01 | 12.00 | 15.8 |
| 6 | 3000F06 01 | 15.00 | 18.8 |
| 7 | 3000F07 01 | 18.00 | 21.8 |
| 8 | 3000F08 01 | 21.00 | 24.8 |
| 9 | 3000F09 01 | 24.00 | 27.8 |
| 10 | 3000F10 01 | 27.00 | 30.8 |
| 11 | 3000F11 01 | 30.00 | 33.8 |
| 12 | 3000F12 01 | 33.00 | 36.8 |

Material

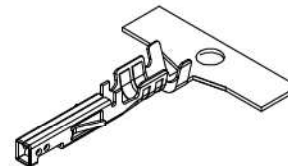
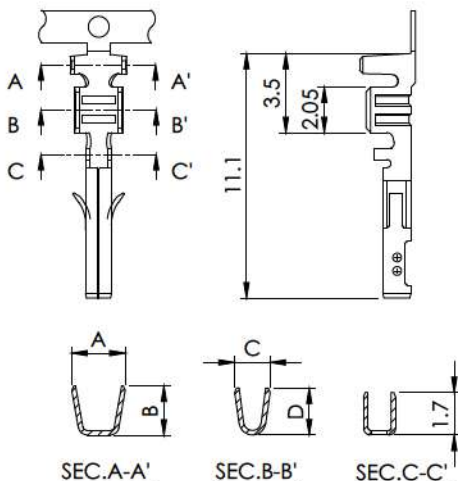
| Part | Material |
|---------|-----------------------------|
| Housing | Nylon 66 94V-0, black color |

※ Color Identification: the following alphabet shall be put,
 ex. 3000F 04 01 - S
 04... Circuit no.
 S... white, R... red color

Reference

- ◇ Use with 3000F series Plug Housing

3003TF Crimp Terminal



Ordering Information

| Part No. | Applicable Wire | | | Q'ty / Reel |
|-----------|-----------------|--------------------|--|-------------|
| | AWG # | Insulation O.D. mm | | |
| 3003TF11R | 20 - 24 | 1.9 Max. | | 10,000 |
| 3003TF21R | 26 - 30 | 1.9 Max. | | 10,000 |

| Part No. | A | B | C | D |
|-----------|-----|-----|-----|-----|
| 3003TF11R | 2.7 | 2.5 | 2.1 | 2.1 |
| 3003TF21R | 2.4 | 1.9 | 1.8 | 1.6 |

※ Material : Phosphor Bronze, Tin-Plated

3.0 Pitch 3000 SERIES CONNECTOR



3.0 mm Pitch Wire-to-Wire, Wire-to-Board Connector



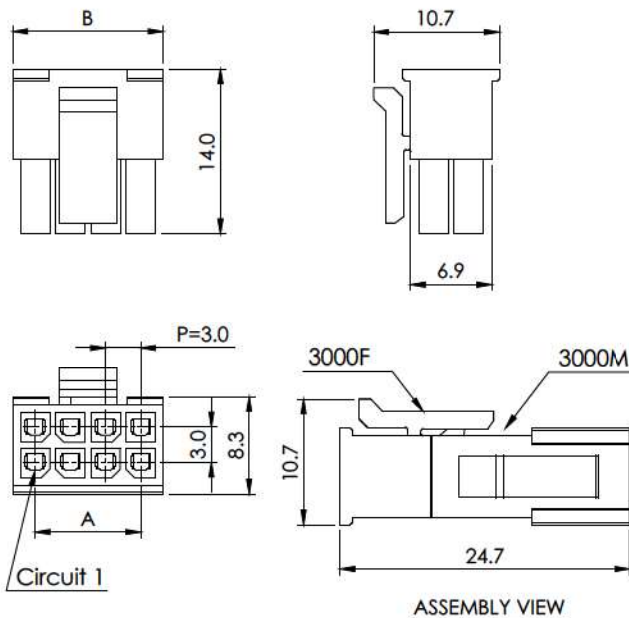
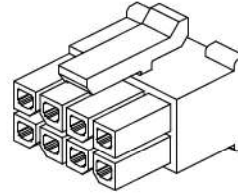
Specifications

- ◇ Current rating: 5A AC/DC Max.
- ◇ Voltage Range: 250V AC,DC
- ◇ Withstand Voltage: 1500V AC/Minute
- ◇ Contact Resistance: 10 mΩ Max. before environment test
- ◇ Insulation Resistance: 1000 MΩ Min.
- ◇ Temperature Range: -40° C to 105° C

Reference

- ◇ Mates with 3001P, 3002P series Dual-row Header
- ◇ Use with 3003TF series Crimp Terminal
- ◇ Certification: UL, CSA, TUV
- ◇ GWT 850° C rated product is under development
- ◇ Applicable wire gauge: AWG 20 - 24 and AWG 26 - 30

3000F Dual-Row Plug Housing



Ordering Information

| Circuits | Part No. | Dimension | |
|----------|------------|-----------|------|
| | | A | B |
| 2 | 3000F02 11 | N/A | 5.3 |
| 4 | 3000F04 11 | 3.00 | 8.3 |
| 6 | 3000F06 11 | 6.00 | 9.8 |
| 8 | 3000F08 11 | 9.00 | 12.8 |
| 10 | 3000F10 11 | 12.00 | 15.8 |
| 12 | 3000F12 11 | 15.00 | 18.8 |
| 14 | 3000F14 11 | 18.00 | 21.8 |
| 16 | 3000F16 11 | 21.00 | 24.8 |
| 18 | 3000F18 11 | 24.00 | 27.8 |
| 20 | 3000F20 11 | 27.00 | 30.8 |
| 22 | 3000F22 11 | 30.00 | 33.8 |
| 24 | 3000F24 11 | 33.00 | 36.8 |

Material

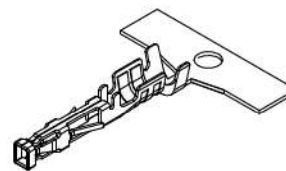
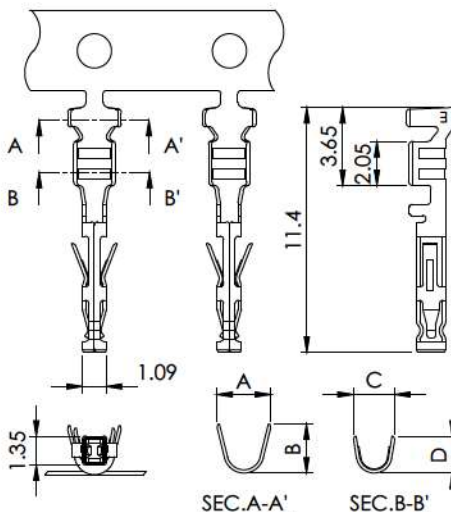
| Part | Material |
|---------|-----------------------------|
| Housing | Nylon 66 94V-0, black color |

※ Color Identification: the following alphabet shall be put.
 ex. 3000F 04 11 - S
 04... Circuit no.
 S... white, R... red color

Reference

- ◇ Use with 3000F series Plug Housing

3003TF Type-1 Crimp Terminal Low-Intension Force



Ordering Information

| Part No. | Applicable Wire | | | Q'ty / Reel |
|-------------|-----------------|--------------------|--|-------------|
| | AWG # | Insulation O.D. mm | | |
| 3003TF11R-1 | 20 - 24 | 1.9 Max. | | 10,000 |
| 3003TF21R-1 | 26 - 30 | 1.3 Max. | | 10,000 |

| Part No. | A | B | C | D |
|-------------|-----|-----|------|------|
| 3003TF11R-1 | 2.5 | 2.3 | 1.95 | 1.75 |
| 3003TF21R-1 | 2.3 | 1.9 | 1.75 | 1.2 |

3.0 Pitch 3000 SERIES CONNECTOR



3.0 mm Pitch Wire-to-Wire Connector

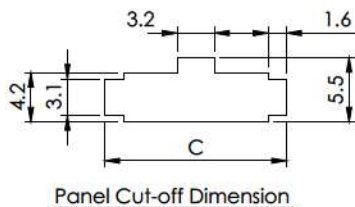
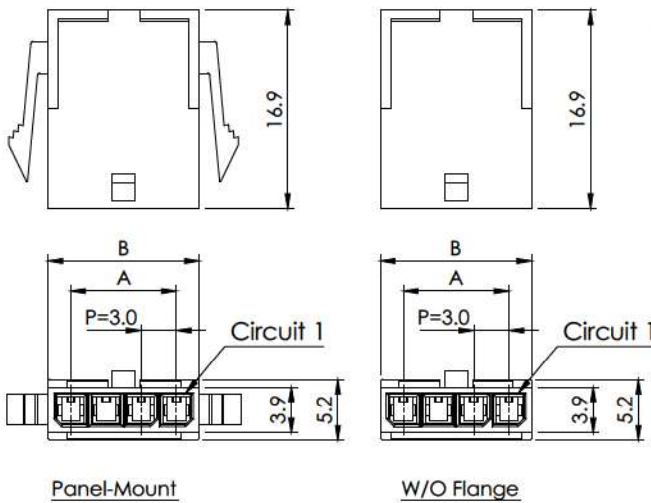


■ Specifications

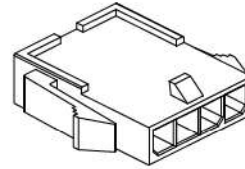
- ◇ Current rating: 5A AC/DC Max.
- ◇ Voltage Range: 250V AC,DC
- ◇ Withstand Voltage: 1500V AC/Minute
- ◇ Contact Resistance: 10 mΩ Max. before environment test
- ◇ Insulation Resistance: 1000 MΩ Min.
- ◇ Temperature Range: -40° C to 105° C

■ Reference

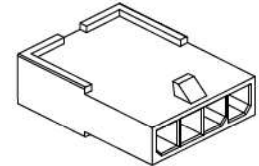
- ◇ Mates with 3000F series Single-row Plug Housing
- ◇ Use with 3003TM series Pin-Contact Crimp Terminal
- ◇ Certification: UL, CSA, TUV
- ◇ GWT 850° C rated product is under development
- ◇ Applicable wire gauge: AWG 20 - 24 and AWG 26 - 30



3000M Single-Row Receptacle Housing



PANEL-MOUNT



W/O FLANGE

Ordering Information

| Circuits | Part No. | | Dimension | | |
|----------|-------------|---------------|-----------|------|-------|
| | Panel-Mount | W/O Flange | A | B | C |
| 2 | 3000M02 01 | 3000M02 01-BE | 3.00 | 6.9 | 10.90 |
| 3 | 3000M03 01 | 3000M03 01-BE | 6.00 | 9.9 | 13.89 |
| 4 | 3000M04 01 | 3000M04 01-BE | 9.00 | 12.9 | 16.89 |
| 5 | 3000M05 01 | 3000M05 01-BE | 12.00 | 15.9 | 19.89 |
| 6 | 3000M06 01 | 3000M06 01-BE | 15.00 | 18.9 | 22.89 |
| 7 | 3000M07 01 | 3000M07 01-BE | 18.00 | 21.9 | 25.88 |
| 8 | 3000M08 01 | 3000M08 01-BE | 21.00 | 24.9 | 28.88 |
| 9 | 3000M09 01 | 3000M09 01-BE | 24.00 | 27.9 | 31.88 |
| 10 | 3000M10 01 | 3000M10 01-BE | 27.00 | 30.9 | 34.87 |
| 11 | 3000M11 01 | 3000M11 01-BE | 30.00 | 33.9 | 37.87 |
| 12 | 3000M12 01 | 3000M12 01-BE | 33.00 | 36.9 | 40.87 |

Material

| Part | Material / Finish |
|---------|--|
| Housing | Glass-filled Nylon 66 94V-0, black color |

※ Color Identification: the following alphabet shall be put,

ex. 3000M 04 01 - S

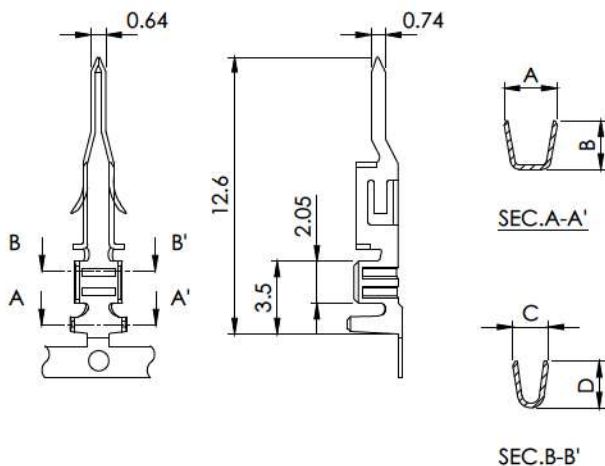
ex. 3000M 14 01 - R E

04... Circuit no.

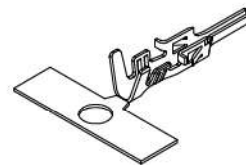
S... white, R... red color

■ Reference

- ◇ Use with 3000M series Plug Housing



3003TM Pin-Contact Crimp Terminal



Ordering Information

| Part No. | Applicable Wire | | |
|-----------|-----------------|--------------------|-------------|
| | AWG # | Insulation O.D. mm | Q'ty / Reel |
| 3003TM11R | 20 - 24 | 1.9 Max. | 10,000 |
| 3003TM21R | 26 - 30 | 1.9 Max. | 10,000 |

| Part No. | A | B | C | D |
|-----------|-----|-----|-----|-----|
| 3003TM11R | 2.7 | 2.5 | 2.1 | 2.1 |
| 3003TM21R | 2.4 | 1.9 | 1.8 | 1.6 |

3.0 Pitch 3000 SERIES CONNECTOR



3.0 mm Pitch Wire-to-Wire Connector

ROHS REACH LF HFA GWT

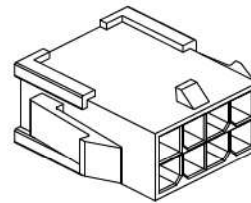
3000M Dual-Row Receptacle Housing

Specifications

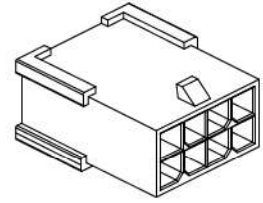
- ◇ Current rating: 5A AC/DC Max.
- ◇ Voltage Range: 250V AC,DC
- ◇ Withstand Voltage: 1500V AC/Minute
- ◇ Contact Resistance: 10 mΩ Max. before environment test
- ◇ Insulation Resistance: 1000 MΩ Min.
- ◇ Temperature Range: -40° C to 105° C

Reference

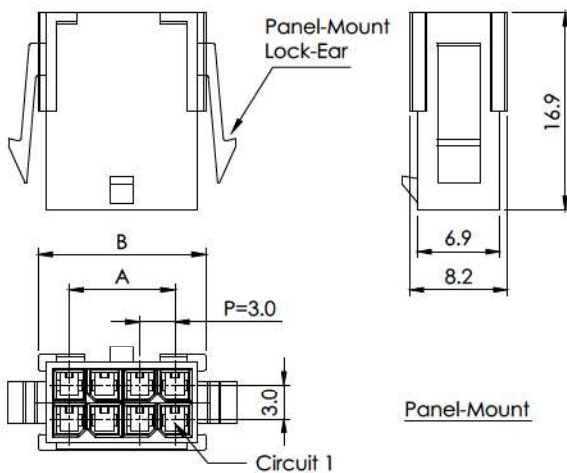
- ◇ Mates with 3000F series Dual-row Plug Housing
- ◇ Use with 3003TM series Pin-Contact Crimp Terminal
- ◇ Certification: UL, CSA, TVV
- ◇ GWT 850° C rated product is under development
- ◇ Applicable wire gauge: AWG 20 - 24 and AWG 26 - 30



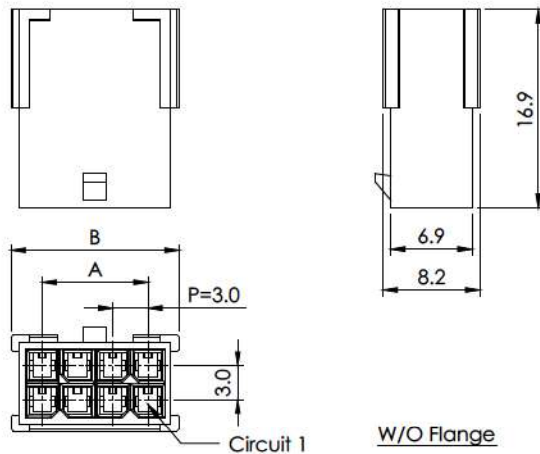
PANEL-MOUNT



W/O FLANGE



Panel-Mount



W/O Flange

Ordering Information

| Circuits | Part No. | | Dimension | | |
|----------|-------------|---------------|-----------|------|-------|
| | Panel-Mount | W/O Flange | A | B | C |
| 2 | 3000M02 21 | 3000M02 21-BE | N/A | 5.3 | 7.90 |
| 4 | 3000M04 21 | 3000M04 21-BE | 3.00 | 8.3 | 10.90 |
| 6 | 3000M06 21 | 3000M06 21-BE | 6.00 | 11.3 | 13.89 |
| 8 | 3000M08 21 | 3000M08 21-BE | 9.00 | 14.3 | 16.89 |
| 10 | 3000M10 21 | 3000M10 21-BE | 12.00 | 17.3 | 19.89 |
| 12 | 3000M12 21 | 3000M12 21-BE | 15.00 | 20.3 | 22.89 |
| 14 | 3000M14 21 | 3000M14 21-BE | 18.00 | 23.3 | 25.88 |
| 16 | 3000M16 21 | 3000M16 21-BE | 21.00 | 26.3 | 28.88 |
| 18 | 3000M18 21 | 3000M18 21-BE | 24.00 | 29.3 | 31.88 |
| 20 | 3000M20 21 | 3000M20 21-BE | 27.00 | 32.3 | 34.87 |
| 22 | 3000M22 21 | 3000M22 21-BE | 30.00 | 35.3 | 37.87 |
| 24 | 3000M24 21 | 3000M24 21-BE | 33.00 | 38.3 | 40.87 |

Material

| Part | Material / Finish |
|---------|--|
| Housing | Glass-filled Nylon 66 94V-0, black color |

※ Color Identification: the following alphabet shall be put,
 ex. 3000M 04 21 - S
 ex. 3000M 14 21 - R E
 14... Circuit no.
 S... white, R... red color

P.C. Board Layout / Assembly Layout

