

3.2 Pitch 3001 F-SERIES CONNECTOR



3.2 mm Pitch Wire-to-Board Connector

ROHS REACH LF HFA GWT

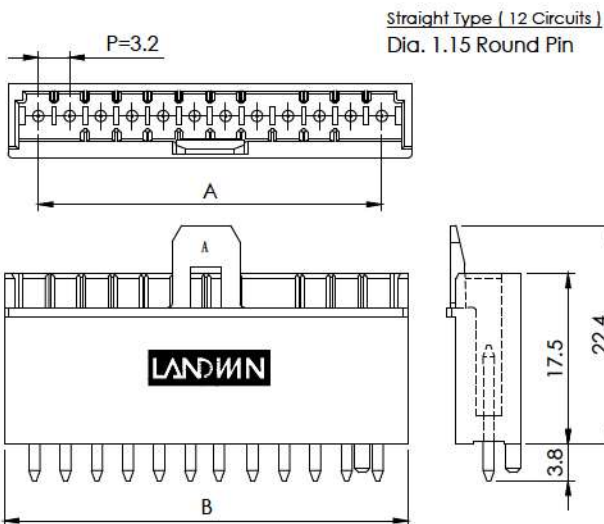
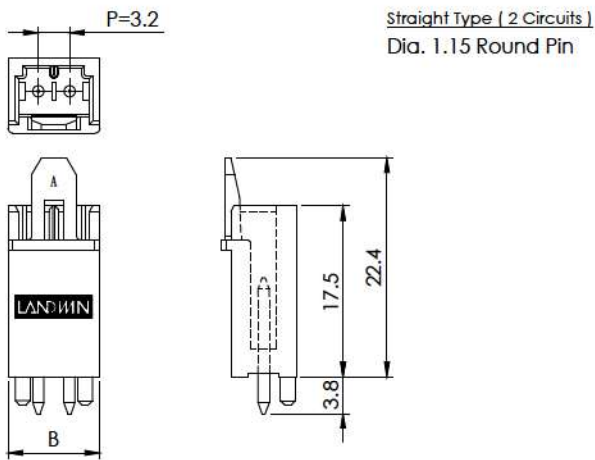
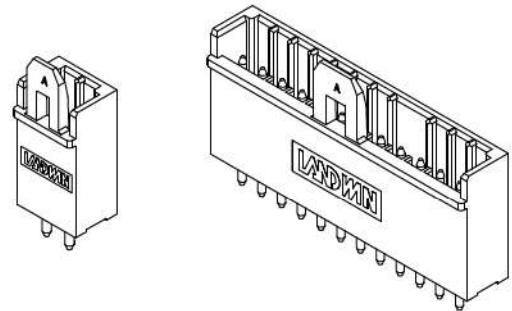
3001P DIP Header (Type-F)

Specifications

- ◇ Current rating: 5A AC/DC Max.
- ◇ Voltage Range: 250V AC,DC
- ◇ Withstand Voltage: 1500V AC/Minute
- ◇ Contact Resistance: 10 mΩ Max. before environment test
- ◇ Insulation Resistance: 1000 MΩ Min
- ◇ Temperature Range: -40° C to 105° C

Reference

- ◇ Mates with Pitch 3.2 Single-Row Plug Housing
- ◇ GWT 750° C rated product is available



Ordering Information

Circuits	Part No.	Dimension	
	Straight type	A	B
2	3001P02F0T-S1	3.2	9.4
12	3001P12F0T-S1	35.2	41.4

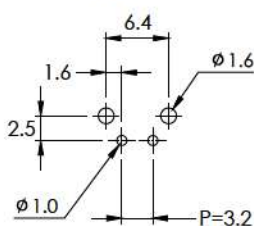
Material

Part	Material
Base	Nylon 66 94V-0, white (natural color)
Contact	Brass, Tin-plated

- ※ Color Identification: the following alphabet shall be put,
ex. 3001P 04 F0T - E
04... Circuit no.
Color selection: E... Blue, R... Red, B... black color
- ※ Contact sales for available P/N up to date.

P.C. Board Layout

Straight Type (2 P)



Straight Type (12 P)

