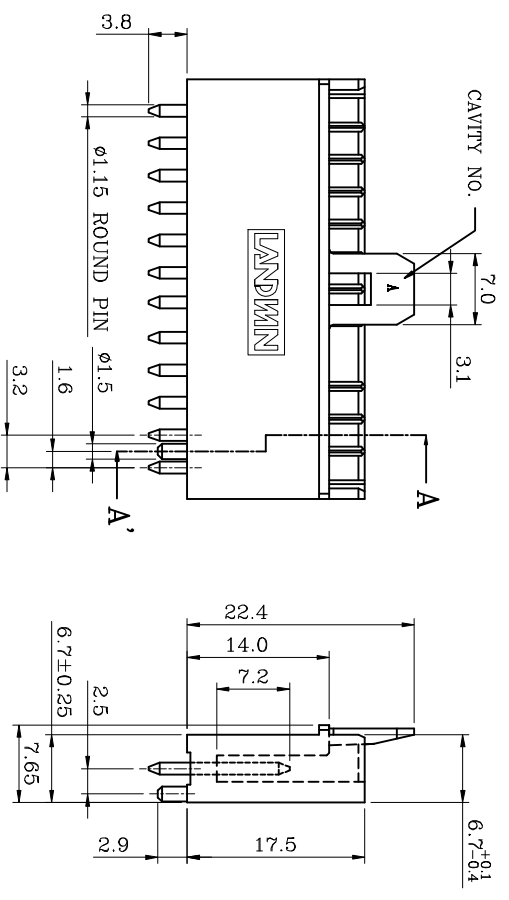
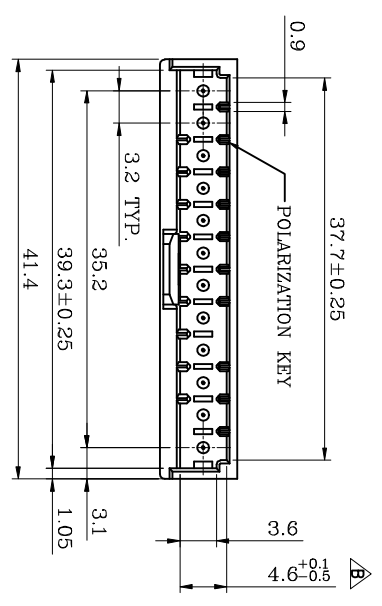
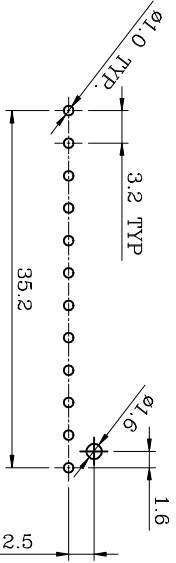


12 11 10 9 8 7 6 5 4 3 2 1



SECTION A-A'



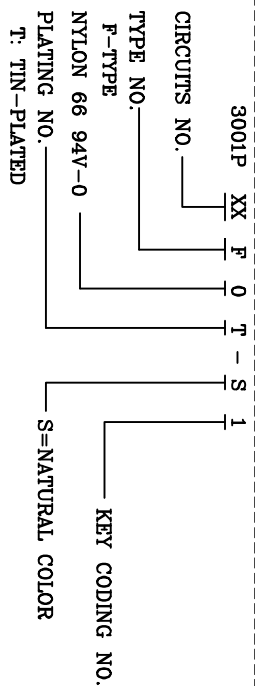
P.C. BOARD LAYOUT

P.C. BOARD THICKNESS: 1.60
(GENERAL TOLERANCE: ±0.05)

RoHS Compliant

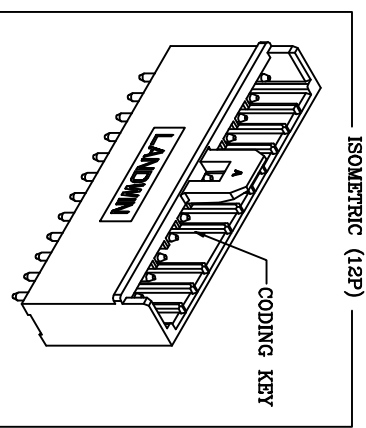
THIS DRAWING CONTAINS INFORMATION THAT IS PROPRIETARY TO LANDWIN ELECTRONIC CORP. SHOULD NOT BE USED WITHOUT WRITTEN PERMISSION.

ORDER INFORMATION:



NOTES:

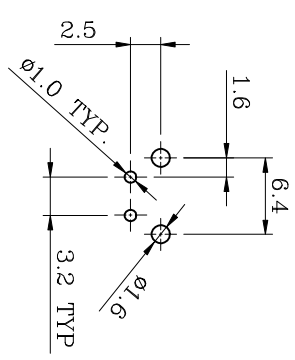
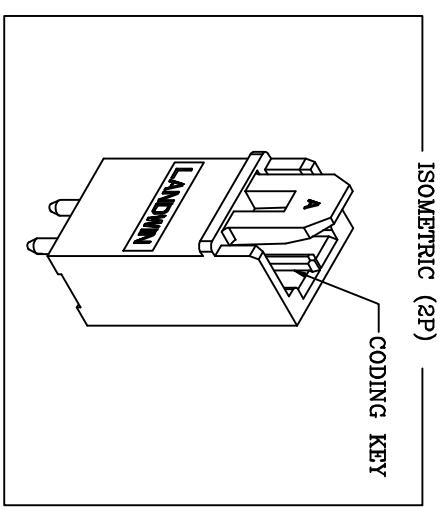
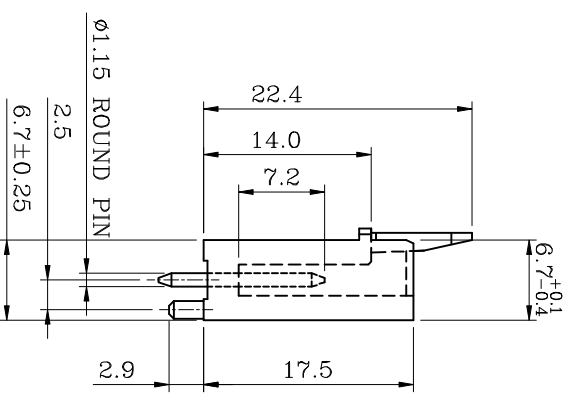
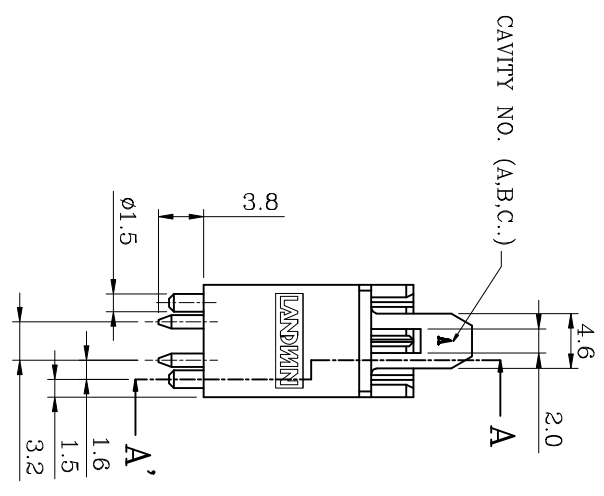
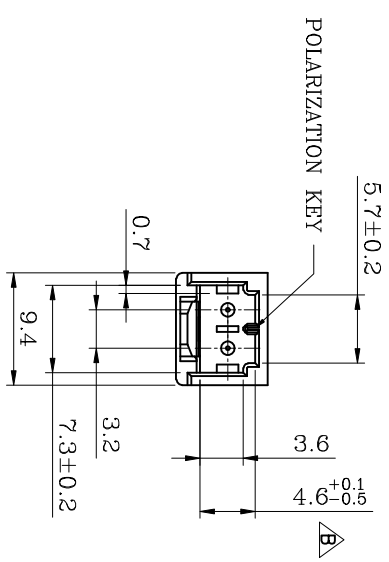
1. MATERIAL:
BASE: NYLON 66 94V-0
PIN: BRASS, TIN-PLATED
2. MATES WITH 3.2 PITCH SINGLE-ROW PLUG HOUSING
3. APPLICABLE PCB THICKNESS: 1.60 mm(t)
4. SPECIFICATION:
CURRENT RATING: 5A AC/DC MAX.
VOLTAGE RATING: 250V AC/DC MAX.
WITHSTAND VOLTAGE: 1500V AC/MINUTE
INSULATION RESISTANCE: 1000 MEGA-OHM MIN.
CONTACT RESISTANCE: 10 MINI-OHM BEFORE STRESS TEST
TEMPERATURE RANGE: -40 °C TO +105 °C



MATERIAL: EMS AS V0		FINISH(COLOR): NATURAL	
LANDWIN 聯盈電子股份有限公司			
LANDWIN ELECTRONIC CORP.			
GENERAL TOLERANCE:	PROJECTION	SCALE	UNIT
X.X	FREE	FREE	MM
X.X	FREE	JUDY	1 / 2
X.XX	±0.12	CHECKED	REV B
X.XXX	±0.08	APP'D	
ANGULAR ±3°	DATE	DATE	
21-JUN-12	12-OCT-12	12-OCT-12	
ECN NO.	DATE	CUSTOMER DRAWING	TITLE:
			3.2 mm Pitch S/T
			PIN HEADER

CUSTOMER DRAWING

12 11 10 9 8 7 6 5 4 3 2 1



P.C BOARD LAYOUT
P.C. BOARD THICKNESS: 1.60
(GENERAL TOLERANCE: ±0.05)

CUSTOMER DRAWING

MATERIAL: EMS AS V0
FINISH(COLOR): NATURAL

LANDWIN 聯盈電子股份有限公司
LANDWIN ELECTRONIC CORP.

REV.	REVISION RECORD	ECN NO.	DATE	GENERAL TOLERANCE:	PROJECTION	SCALE	UNIT	SHEET NO.	REV
A	NEW RELEASE	TL121003	12-001-12'	X.X	FREE	MM	2 / 2	B	
B	MODIFY DIMENSION		21-JUN-12'	X.XX	JUDY				
				±0.25					
				±0.12					
				±0.08					
				ANGULAR ±3°					

RoHS Compliant

THIS DRAWING CONTAINS INFORMATION THAT IS PROPRIETARY TO LANDWIN ELECTRONIC CORP. SHOULD NOT BE USED WITHOUT WRITTEN PERMISSION.

TITLE:
3.2 mm Pitch S/T
PIN HEADER