

12 11 10 9 8 7 6 5 4 3 2 1

A

B

C

D

E

F

A

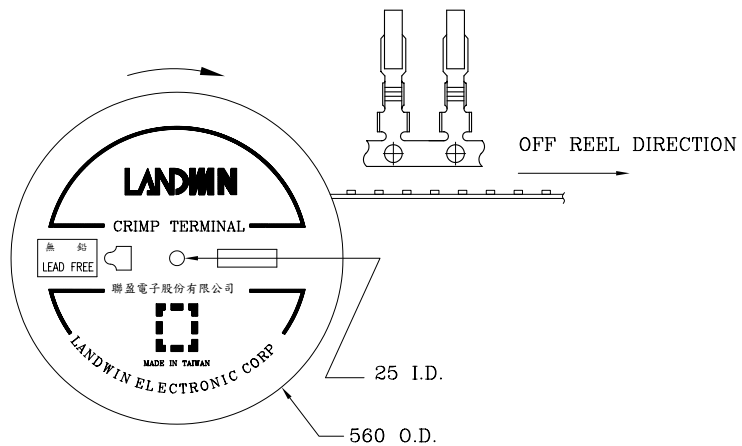
B

C

D

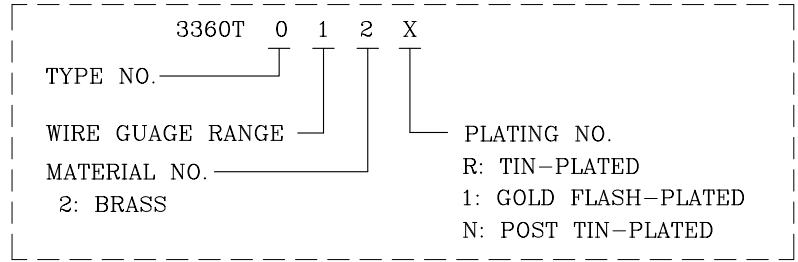
E

F



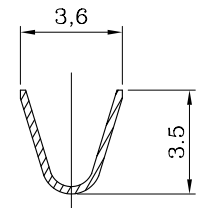
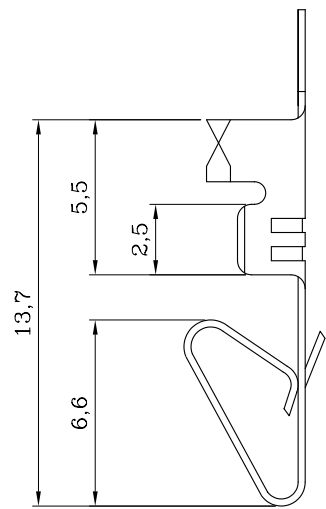
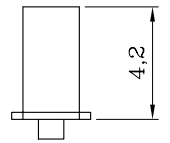
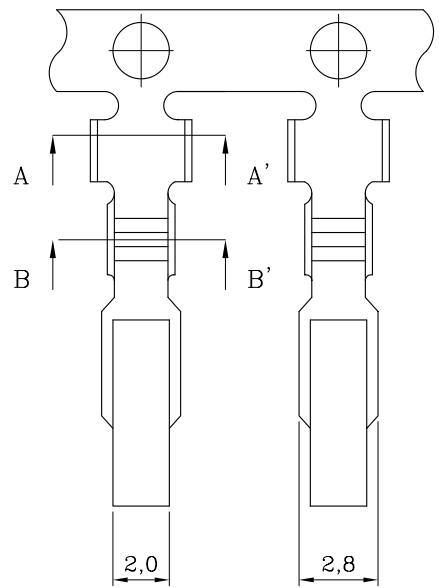
ROLL FORM PACKAGE

DESCRIPTION OF ORDER NO.:

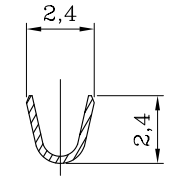


ORDER INFORMATION AND DIMENSION:

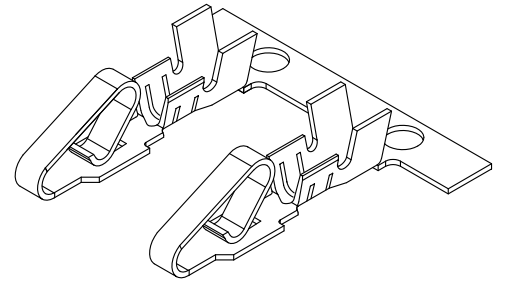
ORDER NO.	TERMINAL TYPE	WIRE GAUGE RANGE (AWG)	INSULATION DIAMETER	Q'TY/REEL
3360T012X	CHAIN	#18 - #22	ø2.8 MAX.	6,000 PCS



SEC A-A'



SEC B-B'



ISOMETRIC VIEW

NOTES:

- MATERIAL: BRASS 0.25 (t) mm
- USE WITH 3060S SERIES PLUG HOUSING:
 - <1> 3060SXX0X SERIES
 - <2> 3060SXX1X SERIES
- INFORMATION IN THIS DRAWING IS NOT CONSIDERED AS FINAL.



Sales Drawing

MATERIAL: SEE NOTES		FINISH(COLOR): SEE NOTES	
W1	NEW RELEASE	31-DEC-14'	ANGULAR ±3°
REV.	REVISION RECORD	DATE	

LANDWIN 聯益電子股份有限公司		LANDWIN ELECTRONIC CORP.	
GENERAL TOLERANCE:	PROJECTION	SCALE	UNIT
	FREE	MM	SHEET NO. 1 / 1
	DATE 31-DEC-14'	DRAWN R.G.	REV W1
		CHECKED J.L.Lin	DRAW NO. (BQ) 3360T012X
		APPD H.Y.Lin	TITLE: CRIMP TERMINAL (3060S SERIES)