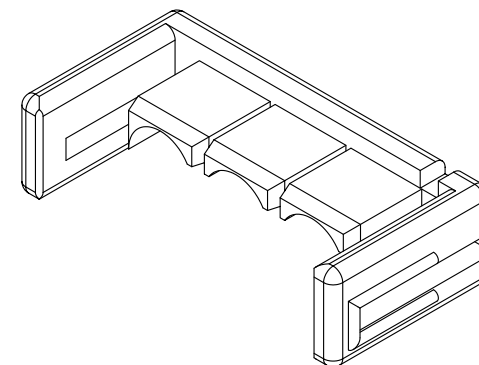
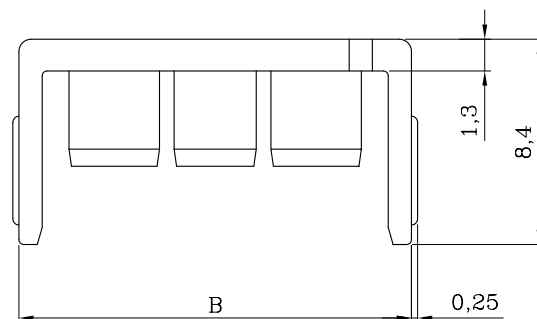
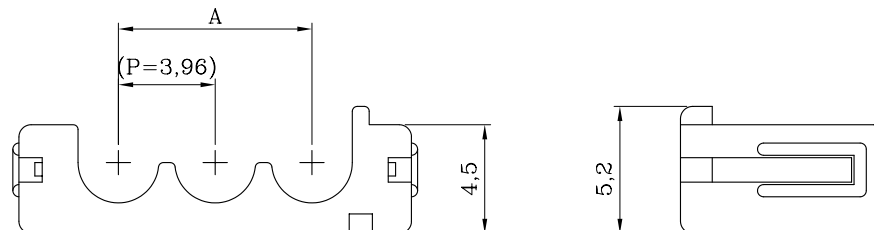
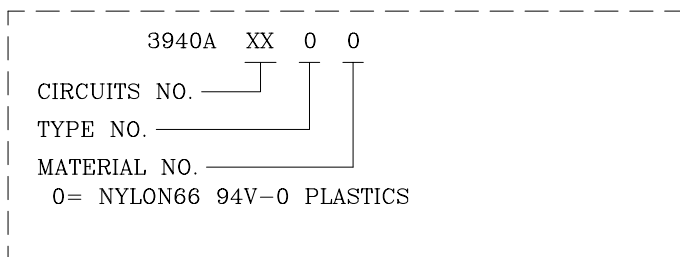


ORDER INFORMATION AND DIMENSION:

Circuit	Part No.		Dimension	
	(Light ivory)	(Red color)	A	B
2	3940A0200	3940A0200-R	3.96	12.10
3	3940A0300	3940A0300-R	7.92	16.06
4	3940A0400	3940A0400-R	11.88	20.02
5	3940A0500	3940A0500-R	15.84	23.98
6	3940A0600	3940A0600-R	19.80	27.94
7	3940A0700	3940A0700-R	23.76	31.90
8	3940A0800	3940A0800-R	27.72	35.86
9	3940A0900	3940A0900-R	31.68	39.82
10	3940A1000	3940A1000-R	35.64	43.78
11	3940A1100	3940A1100-R	39.60	47.74
12	3940A1200	3940A1200-R	43.56	51.70



DESCRIPTION OF ORDER NO.:



NOTES:

- 1. MATERIAL:
BASE: NYLON66 94V-0, LIGHT IVORY (NATURAL COLOR)
- 2. USE WITH 3943TF, 3943TM SERIES CRIMP TERMINAL.
- 3. MATES WITH 3940F SERIES PLUG HOUSING.
- 4. MATES WITH 3940M SERIES RECEPTACLE HOUSING.
- 5. DESCRIPTION OF COLOR NO.:
LEGEND: 3940AXX00-X (-X: COLOR CODE)
B=BLACK, R=RED, E=BLUE, H=GRAY,
S=WHITE COLOR
- 6. INFORMATION IN THIS DRAWING IS NOT CONSIDERED AS FINAL.

TINT PLATE
(LIGHT IVORY COLOR)



ISOMETRIC VIEW



Sales Drawing



聯盈電子股份有限公司
LANDWIN ELECTRONIC CORP.

MATERIAL: SEE NOTES		FINISH(COLOR): SEE NOTES	
W1	NEW RELEASE	31-DEC-14'	ANGULAR ±3°
REV.	REVISION RECORD	DATE	

GENERAL TOLERANCE:	PROJECTION	SCALE	UNIT	SHEET NO.	REV
		FREE	MM	1 / 1	W1
	DRAWN	R.G.	DRAW NO.		
	CHECKED	J.L.Lin	(AQ) 3940AXX00		
	APPD	H.Y.Lin	TITLE:		
			3.96 PITCH SINGLE-ROW CABLE RETAINER		