

3.96 Pitch 3940 SERIES CONNECTOR



3.96 mm Pitch Wire-to-Board, Wire-to-Wire Connector



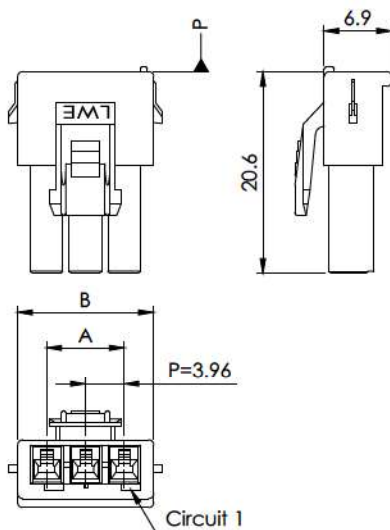
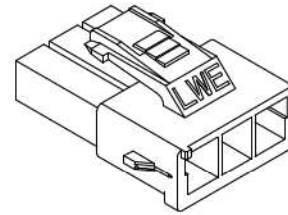
Specifications

- ◇ Current rating: 9A AC/DC Max.
- ◇ Voltage Range: 300V AC,DC
- ◇ Withstand Voltage: 2200V AC/Minute
- ◇ Contact Resistance: 10 mΩ Max. before environment test
- ◇ Insulation Resistance: 1000 MΩ Min.
- ◇ Temperature Range: -40° C to 105° C

Reference

- ◇ Mates with 3941P, 3942P Series DIP Header
- ◇ Mates with 3940M Series Single-row Receptacle Housing
- ◇ Use with 3943TF Crimp Terminal
- ◇ Certification: cUL, TUV
- ◇ Applicable wire gauge: AWG 16 - 20

3940F Single-Row Plug Housing



Ordering Information

Circuits	Part No.	Dimension	
		A	B
2	3940F02 00	3.96	9.9
3	3940F03 00	7.92	13.9
4	3940F04 00	11.88	17.8
5	3940F05 00	15.84	21.8
6	3940F06 00	19.80	25.7
7	3940F07 00	23.76	29.7
8	3940F08 00	27.72	33.7
9	3940F09 00	31.68	37.6
10	3940F10 00	35.64	41.6
11	3940F11 00	39.60	45.5
12	3940F12 00	43.56	49.5

Material

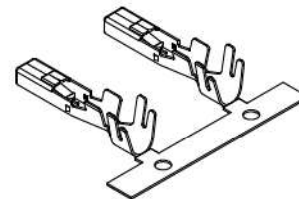
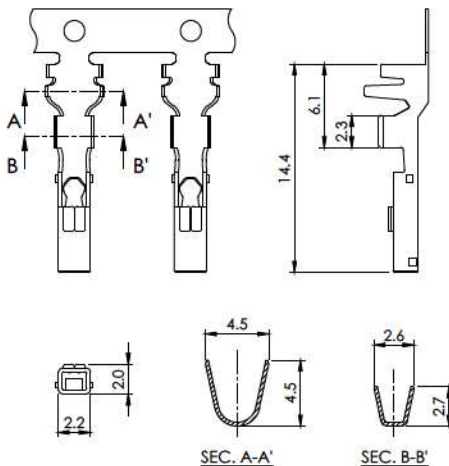
Part	Material / Finish
Housing	Nylon 66 94V-0, white (natural color)

※ Color Identification: the following alphabet shall be put,
 ex. 3940F 04 0 0 (natural color)
 ex. 3940F 04 0 0 - B
 04... Circuit no. B... Black, E... Blue, R... Red color

Reference

- ◇ Use with 3940F Series Plug Housing

3943TF Crimp Terminal



Ordering Information

Part No.	Applicable Wire		
	AWG #	Insulation O.D. mm	Q'ty / Reel
3943TF11R	16 - 20	3.1 Max.	4,500

Part No.	Material
3943TF11R	Phosphor Bronze Tin-Plated

3.96 Pitch 3940 SERIES CONNECTOR



3.96 mm Pitch Wire-to-Board, Wire-to-Wire Connector



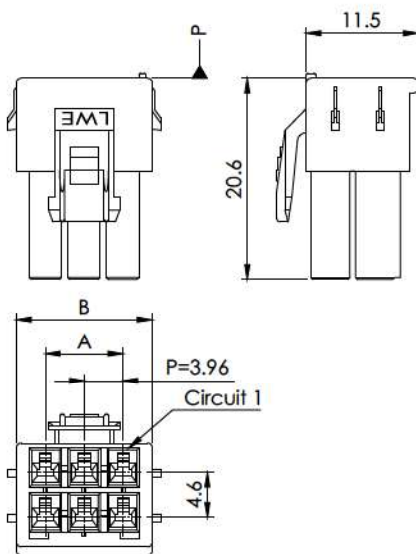
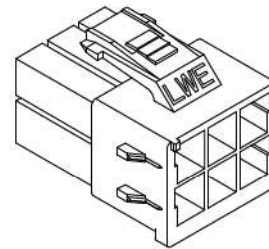
Specifications

- ◇ Current rating: 9A AC/DC Max.
- ◇ Voltage Range: 300V AC,DC
- ◇ Withstand Voltage: 2200V AC/Minute
- ◇ Contact Resistance: 10 mΩ Max. before environment test
- ◇ Insulation Resistance: 1000 MΩ Min.
- ◇ Temperature Range: -40° C to 105° C

Reference

- ◇ Mates with 3941P, 3942P Series DIP Header
- ◇ Mates with 3940M Series Dual-row Receptacle Housing
- ◇ Use with 3943TF Crimp Terminal
- ◇ Certification: cUL, TUV
- ◇ Applicable wire gauge: AWG 16 - 20

3940F Dual-Row Plug Housing



Ordering Information

Circuits	Part No.	Dimension	
		A	B
4	3940F04 10	3.96	9.9
6	3940F06 10	7.92	13.9
8	3940F08 10	11.88	17.8
10	3940F10 10	15.84	21.8
12	3940F12 10	19.80	25.7
14	3940F14 10	23.76	29.7
16	3940F16 10	27.72	33.7
18	3940F18 10	31.68	37.6
20	3940F20 10	35.64	41.6
22	3940F22 10	39.60	45.5
24	3940F24 10	43.56	49.5

Material

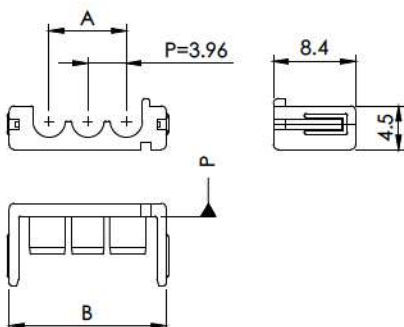
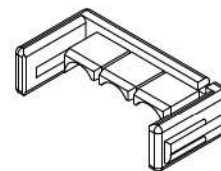
Part	Material / Finish
Housing	Nylon 66 94V-0, white (natural color)

※ Color Identification: the following alphabet shall be put,
 ex. 3940F 04 1 0 (natural color)
 ex. 3940F 04 1 0 - B
 04... Circuit no. B... Black, E... Blue, R... Red color

Reference

- ◇ Mates with 3940F Series Plug Housing

3940A Retainer (T.P.A.)



Ordering Information

PIN Nos	Part No.	Dimension		PIN Nos	Part No.	Dimension	
		A	B			A	B
2	3940A0200	3.96	12.1	8	3940A0800	27.72	35.9
3	3940A0300	7.92	16.1	9	3940A0900	31.68	39.8
4	3940A0400	11.88	20.0	10	3940A1000	35.64	43.8
5	3940A0500	15.84	24.0	11	3940A1100	39.60	47.7
6	3940A0600	19.80	27.9	12	3940A1200	43.56	51.7
7	3940A0700	23.76	31.9				

※ Color Identification: the following alphabet shall be put,
 ex. 3940A 04 0 0 - R (04... Circuit no., R... Red color)
 ex. 3940A 04 0 0 (White; natural color)

3.96 Pitch 3940 SERIES CONNECTOR



3.96 mm Pitch Wire-to-Board Connector

RoHS REACH LF HFA GWT

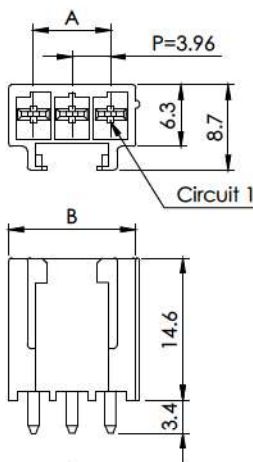
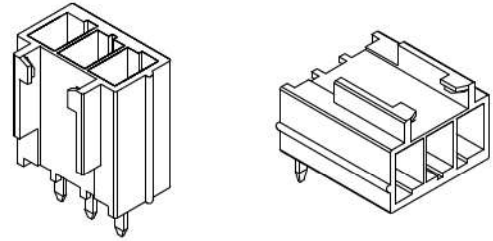
3941P, 3942P Single-Row Header

Specifications

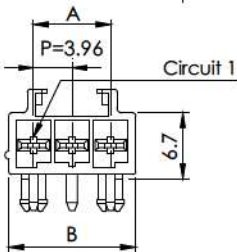
- ◇ Current rating: 9A AC/DC Max.
- ◇ Voltage Range: 300V AC,DC
- ◇ Withstand Voltage: 2200V AC/Minute
- ◇ Contact Resistance: 10 mΩ Max. before environment test
- ◇ Insulation Resistance: 1000 MΩ Min.
- ◇ Temperature Range: -40° C to 105° C

Reference

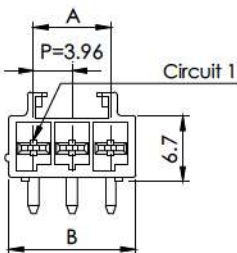
- ◇ Mates with 3940F Series Single-row Plug Housing
- ◇ Certification: cUL, TUV
- ◇ GWT 850° C rated product is available



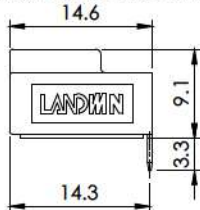
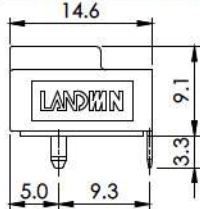
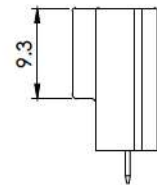
Straight-Type



Right-Angle Type (With peg)



Right-Angle Type (W/O Peg)



Ordering Information

Circuits	Part No.		Dimension	
	Straight	Right-angle	A	B
2	3941P02 01V	3942P02 01V	3.96	9.0
3	3941P03 01V	3942P03 01V	7.92	13.0
4	3941P04 01V	3942P04 01V	11.88	17.0
5	3941P05 01V	3942P05 01V	15.84	21.0
6	3941P06 01V	3942P06 01V	19.80	25.0
7	3941P07 01V	3942P07 01V	23.76	28.8
8	3941P08 01V	3942P08 01V	27.72	32.8
9	3941P09 01V	3942P09 01V	31.68	36.7
10	3941P10 01V	3942P10 01V	35.64	40.7
11	3941P11 01V	3942P11 01V	39.60	44.6
12	3941P12 01V	3942P12 01V	43.56	48.6

Material

Part	Material / Finish
Base	Glass-filled Nylon 66 94V-0, Light ivory color
Contact	Brass, matte tin-plated

※ PART NUMBER ASSIGNMENT:

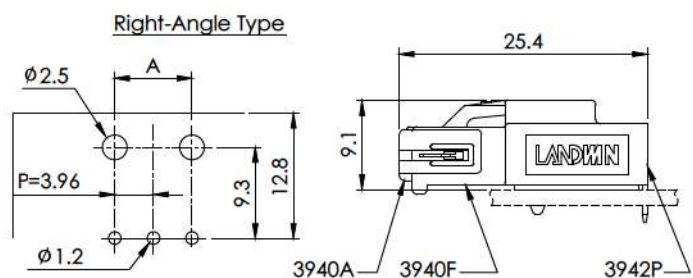
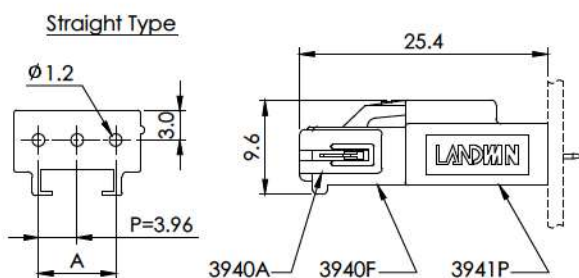
- ex. 3941P XX 0 1 X (Straight Type)
- ex. 3942P XX 0 1 X (Right-angle with peg)
- ex. 3942P XX 0 1 X - S F (Right-angle without peg)
- ex. 3941P XX 0 1 X - S
- ex. 3942P XX 0 1 X - R

XX... Circuit Nos (PIN Numbers)

X... Plating Selection: V... Matte Tin

Color selection: S... Light ivory (base color), R... red, B... black
Type no.: F... Without peg

P.C. Board Layout / Assembly Layout



3.96 Pitch 3940 SERIES CONNECTOR



3.96 mm Pitch Wire-to-Board Connector



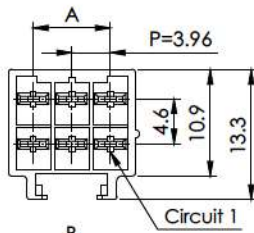
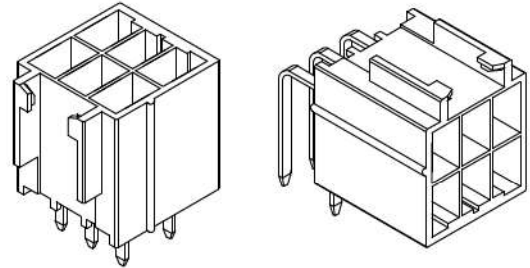
Specifications

- ◇ Current rating: 9A AC/DC Max.
- ◇ Voltage Range: 300V AC,DC
- ◇ Withstand Voltage: 2200V AC/Minute
- ◇ Contact Resistance: 10 mΩ Max. before environment test
- ◇ Insulation Resistance: 1000 MΩ Min.
- ◇ Temperature Range: -40° C to 105° C

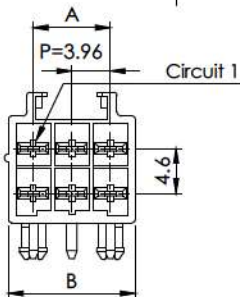
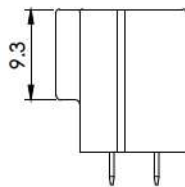
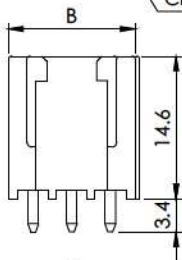
Reference

- ◇ Mates with 3940F Series Dual-row Plug Housing
- ◇ Certification: cUL, TUV
- ◇ GWT 850° C rated product is available

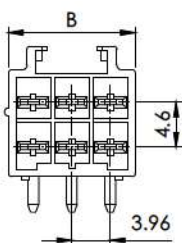
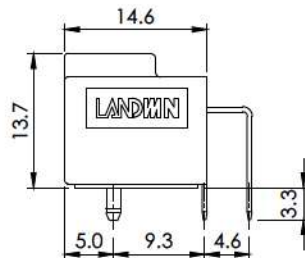
3941P, 3942P Dual-Row Header



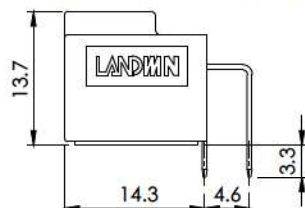
Straight-Type



Right-Angle Type (With Peg)



Right-Angle Type (W/O Peg)



Ordering Information

Circuits	Part No.		Dimension	
	Straight	Right-angle	A	B
4	3941P04 21V	3942P04 21V	3.96	9.0
6	3941P06 21V	3942P06 21V	7.92	13.0
8	3941P08 21V	3942P08 21V	11.88	17.0
10	3941P10 21V	3942P10 21V	15.84	21.0
12	3941P12 21V	3942P12 21V	19.80	25.0
14	3941P14 21V	3942P14 21V	23.76	28.8
16	3941P16 21V	3942P16 21V	27.72	32.8
18	3941P18 21V	3942P18 21V	31.68	36.7
20	3941P20 21V	3942P20 21V	35.64	40.7
22	3941P22 21V	3942P22 21V	39.60	44.6
24	3941P24 21V	3942P24 21V	43.56	48.6

Material

Part	Material / Finish
Base	Glass-filled Nylon 66 94V-0, Light ivory color
Contact	Brass, matte tin-plated

※ PART NUMBER ASSIGNMENT:

- ex. 3941P XX 2 1 X (Straight Type)
- ex. 3942P XX 2 1 X (Right-angle with peg)
- ex. 3942P XX 2 1 X - S F (Right-angle without peg)
- ex. 3941P XX 2 1 X - S
- ex. 3942P XX 2 1 X - R

XX... Circuit Nos (PIN Numbers)

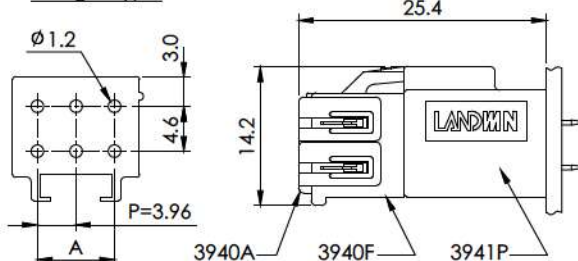
X... Plating Selection: V... Matte Tin

Color selection: S... Light ivory (base color), R... red, B... black

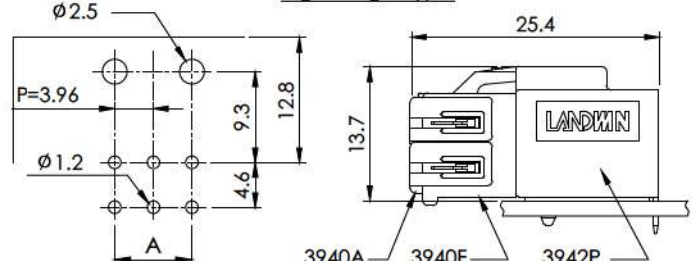
Type no.: F... Without peg

P.C. Board Layout / Assembly Layout

Straight Type



Right-Angle Type



3.96 Pitch 3940 SERIES CONNECTOR



3.96 mm Pitch Wire-to-Wire Connector



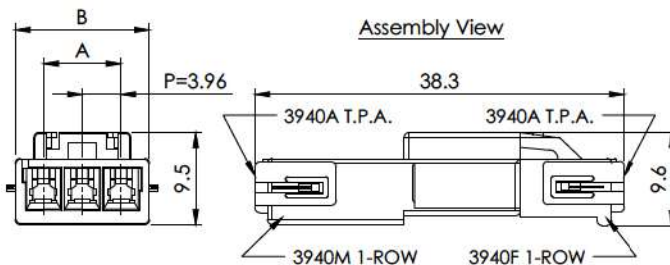
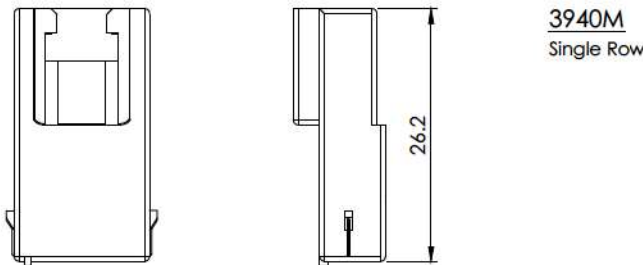
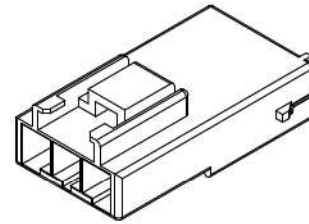
Specifications

- ◇ Current rating: 9A AC/DC Max.
- ◇ Voltage Range: 300V AC,DC
- ◇ Withstand Voltage: 2200V AC/Minute
- ◇ Contact Resistance: 10 mΩ Max. before environment test
- ◇ Insulation Resistance: 1000 MΩ Min.
- ◇ Temperature Range: -40° C to 105° C

Reference

- ◇ Mates with 3940F Series Single-row Plug Housing
- ◇ Use with 3943TM Pin-Contact Crimp Terminal
- ◇ Certification: cUL, TUV
- ◇ GWT 850° C rated product is available
- ◇ Applicable wire gauge: AWG 16 - 20

3940M Single-Row Receptacle Housing



Ordering Information

Circuits	Part No.	Dimension	
		A	B
2	3940M02 00	3.96	9.9
3	3940M03 00	7.92	13.9
4	3940M04 00	11.88	17.8
5	3940M05 00	15.84	21.8
6	3940M06 00	19.80	25.7
7	3940M07 00	23.76	29.7
8	3940M08 00	27.72	33.7
9	3940M09 00	31.68	37.6
10	3940M10 00	35.64	41.6
11	3940M11 00	39.60	45.5
12	3940M12 00	43.56	49.5

Material

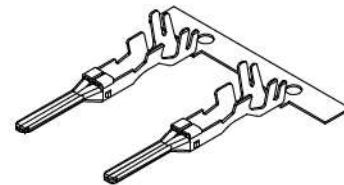
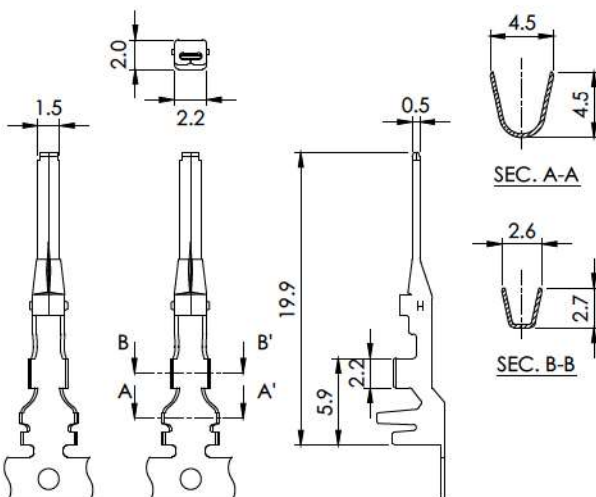
Part	Material / Finish
Housing	Nylon 66 94V-0, white (natural color)

※ Color Identification: the following alphabet shall be put.
 ex. 3940M 04 0 0 (white /natural color)
 ex. 3940M 04 0 0 - B
 04... Circuit no. B... Black, E... Blue, R... Red color

Reference

- ◇ Use with 3940M Series Receptacle Housing

3943TM Pin-Contact Crimp Terminal



Ordering Information

Part No.	Applicable Wire		
	AWG #	Insulation O.D. mm	Q'ty / Reel
3943TM12R	16 - 20	3.1 Max.	4,000

Part No.	Material
3943TM12R	Brass Tin-Plated

3.96 Pitch 3940 SERIES CONNECTOR



3.96 mm Pitch Wire-to-Wire Connector

RoHS REACH LF HFA GWT

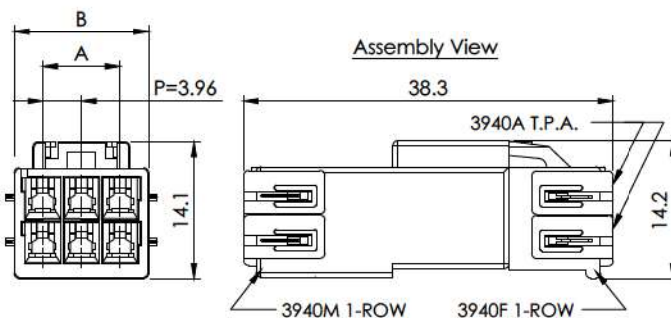
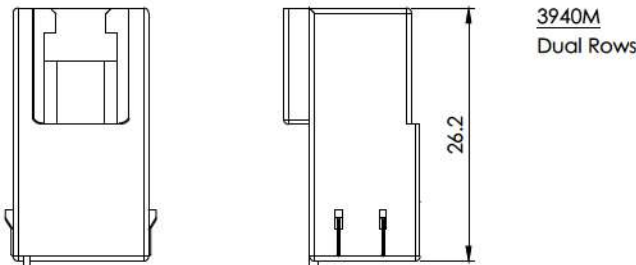
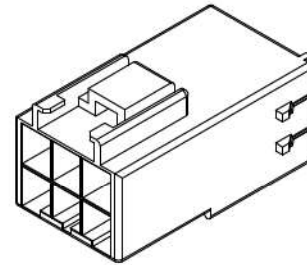
Specifications

- ◇ Current rating: 9A AC/DC Max.
- ◇ Voltage Range: 300V AC,DC
- ◇ Withstand Voltage: 2200V AC/Minute
- ◇ Contact Resistance: 10 mΩ Max. before environment test
- ◇ Insulation Resistance: 1000 MΩ Min.
- ◇ Temperature Range: -40° C to 105° C

Reference

- ◇ Mates with 3940F Series Dual-row Plug Housing
- ◇ Use with 3943TM Pin-Contact Crimp Terminal
- ◇ Certification: cUL, TUV
- ◇ Applicable wire gauge: AWG 16 - 20
- ◇ GWT 850° C rated product is available

3940M Dual-Row Receptacle Housing



Ordering Information

Circuits	Part No.	Dimension	
		A	B
4	3940M04 20	3.96	9.9
6	3940M06 20	7.92	13.9
8	3940M08 20	11.88	17.8
10	3940M10 20	15.84	21.8
12	3940M12 20	19.80	25.7
14	3940M14 20	23.76	29.7
16	3940M16 20	27.72	33.7
18	3940M18 20	31.68	37.6
20	3940M20 20	35.64	41.6
22	3940M22 20	39.60	45.5
24	3940M24 20	43.56	49.5

Material

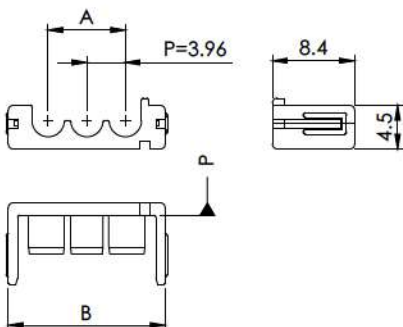
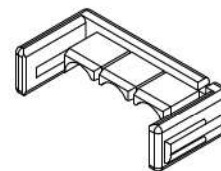
Part	Material / Finish
Housing	Nylon 66 94V-0, white (natural color)

※ Color Identification: the following alphabet shall be put,
 ex. 3940M 04 2 0 (natural color)
 ex. 3940M 04 2 0 - B
 04... Circuit no. B... Black, E... Blue, R... Red color

Reference

- ◇ Mates with 3940M Series Receptacle Housing

3940A Retainer (T.P.A.)



Ordering Information

PIN Nos	Part No.	Dimension		PIN Nos	Part No.	Dimension	
		A	B			A	B
2	3940A0200	3.96	12.1	8	3940A0800	27.72	35.9
3	3940A0300	7.92	16.1	9	3940A0900	31.68	39.8
4	3940A0400	11.88	20.0	10	3940A1000	35.64	43.8
5	3940A0500	15.84	24.0	11	3940A1100	39.60	47.7
6	3940A0600	19.80	27.9	12	3940A1200	43.56	51.7
7	3940A0700	23.76	31.9				

※ Color Identification: the following alphabet shall be put;
 ex. 3940A 04 0 1 - R (04... Circuit no., R... Red color)
 ex. 3940A 04 0 1 (Light ivory / base color)

3.96 Pitch 3940 2V-SERIES CONNECTOR



3.96 mm Pitch Wire-to-Board Connector



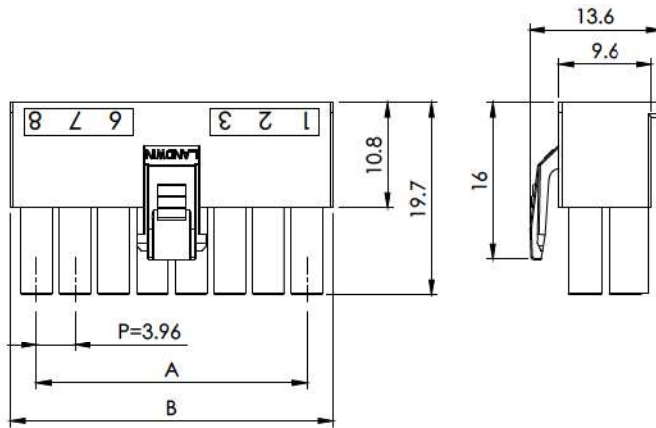
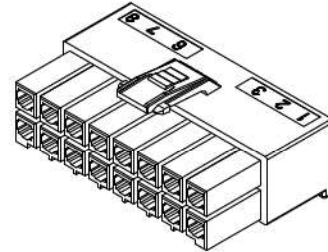
Specifications

- ◇ Current rating: 9A AC/DC Max.
- ◇ Voltage Range: 300V AC,DC
- ◇ Withstand Voltage: 2200V AC/Minute
- ◇ Contact Resistance: 10 mΩ Max. before environment test
- ◇ Insulation Resistance: 1000 MΩ Min.
- ◇ Temperature Range: -40° C to 105° C

Reference

- ◇ Mates with 3941P, 3942P Series Type-2V DIP Header
- ◇ Use with 3943TF Type-1 Crimp Terminal
- ◇ Certification: cUL, TUV
- ◇ GWT 850° C rated product is available
- ◇ Applicable wire gauge: AWG 16 - 28

3940F Dual-Row Plug Housing High-temperature, Type-1V



Ordering Information

Circuits	Part No.	Dimension	
		A	B
8	3940F08 10-SV	11.88	16.92
12	3940F12 10-SV	19.80	24.84
16	3940F16 10-SV	27.72	32.76
20	3940F20 10-SV	35.64	40.68

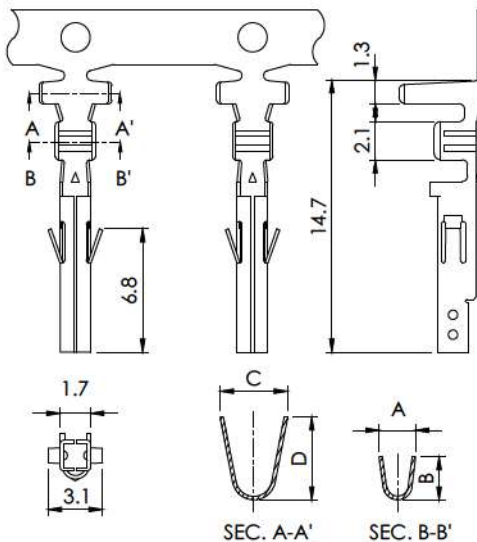
Material

Part	Material / Finish
Housing	Nylon 66 94V-0, white (natural color)

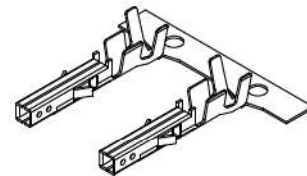
※ Color Identification: the following alphabet shall be put,
 ex. 3940F 08 1 0 - B V
 ex. 3940F 08 1 0 - S V
 08... Circuit no. B... black, S... white (natural) color

Reference

- ◇ Use with 3940F Series Type-1V Plug Housing



3943TF Type-1 Crimp Terminal



Ordering Information

Part No.	Applicable Wire		Q'ty / Reel
	AWG #	Insulation O.D. mm	
3943TF11V-1	16	2.9 Max.	5,000
3943TF21V-1	18 - 24	2.7 Max.	5,000
3943TF31V-1	22 - 28	2.2 Max.	5,000

Part No.	Material	A	B	C	D
3943TF11V-1	Phosphor bronze	2.3	2.9	3.8	4.2
3943TF21V-1	Matte tin-plated	2.0	2.3	3.8	4.2
3943TF31V-1		1.65	1.8	2.3	2.3

3.96 Pitch 3940 2V-SERIES CONNECTOR



3.96 mm Pitch Wire-to-Board Connector



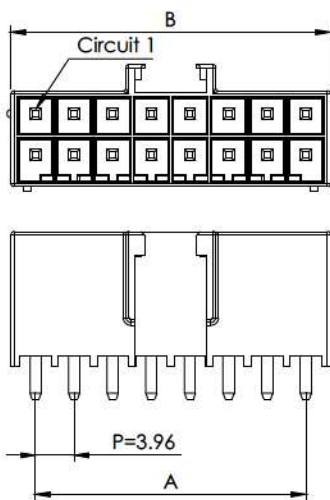
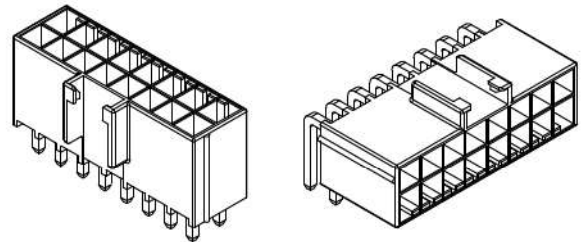
Specifications

- ◇ Current rating: 9A AC/DC Max.
- ◇ Voltage Range: 300V AC,DC
- ◇ Withstand Voltage: 2200V AC/Minute
- ◇ Contact Resistance: 10 mΩ Max. before environment test
- ◇ Insulation Resistance: 1000 MΩ Min.
- ◇ Temperature Range: -40° C to 105° C

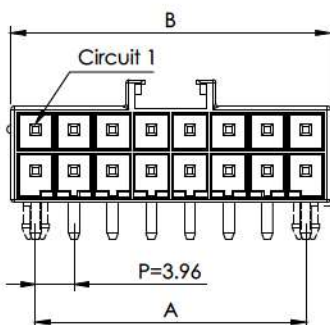
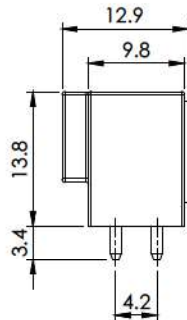
Reference

- ◇ Mates with 3940F Series Type-1V Dual-row Plug Housing
- ◇ Certification: cUL, TUV
- ◇ GWT 850° C rated product is available

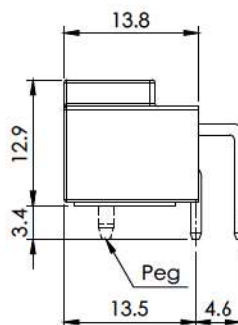
3941P, 3942P Dual-Row Header
High-temperature, Type-2V



Straight Type
1.14mm Square pin



Right-Angle Type
1.14mm Square pin



Ordering Information

HIGH-TEMPERATURE

PIN No.	Part No.		Dimension	
	Straight Type		A	B
	With Peg	Without Peg		
8	N/A	3941P08 21V-SV81	11.88	16.92
12		3941P12 21V-SV81	19.80	24.84
16		3941P16 21V-SV81	27.72	32.76
20		3941P20 21V-SV81	35.64	40.68

PIN No.	Part No.		Dimension	
	Right-angle Type		A	B
	With Peg	Without Peg		
8	3942P08 21V-SV	3942P08 21V-SV81	11.88	16.92
12	3942P12 01V-SV	3942P12 21V-SV81	19.80	24.84
16	3942P16 01V-SV	3942P16 21V-SV81	27.72	32.76
20	3942P20 01V-SV	3942P20 21V-SV81	35.64	40.68

Material

Part	Material / Finish
Base	Glass-filled Nylon 66 94V-0, Light ivory color
Contact	Brass, matte tin-plated

※ PART NUMBER ASSIGNMENT:

ex. 3941P XX 2 1 X - S V81

ex. 3942P XX 2 1 X - S V81

ex. 3942P XX 2 1 X - S V

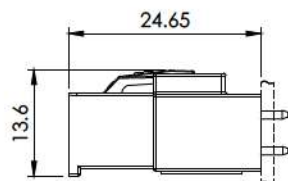
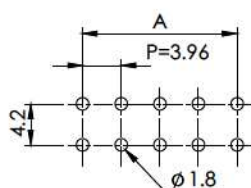
XX... Circuit Nos (PIN Numbers)

X... Plating Selection: V... Matte Tin

Color selection: S... Light ivory (base color), R... red, B... black

P.C. Board Layout / Assembly Layout

Straight Type



Right-Angle Type

