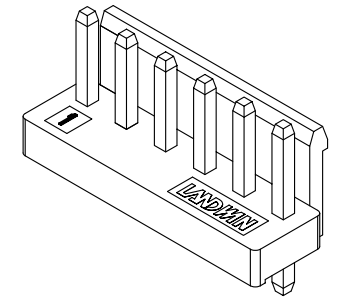
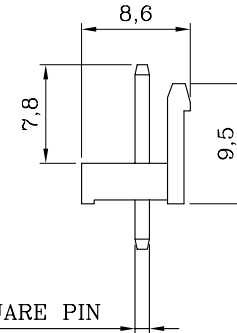
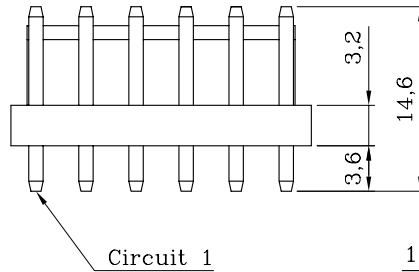
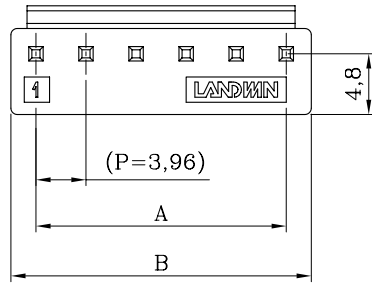


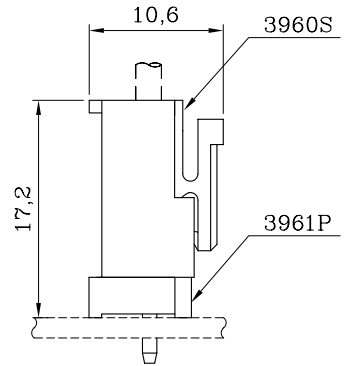
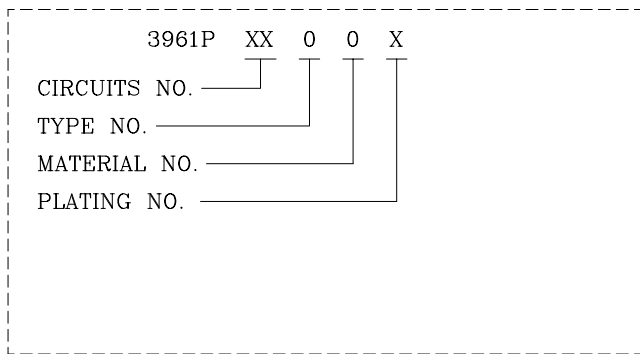
ORDER INFORMATION AND DIMENSION:

Circuits	Part No. (White color, T/P)	Dimension	
		A	B
2	3961P02 00T	3.96	7.92
3	3961P03 00T	7.92	11.88
4	3961P04 00T	11.88	15.84
5	3961P05 00T	15.84	19.80
6	3961P06 00T	19.80	23.76
7	3961P07 00T	23.76	27.72
8	3961P08 00T	27.72	31.68
9	3961P09 00T	31.68	35.64
10	3961P10 00T	35.64	39.60
11	3961P11 00T	39.60	43.56
12	3961P12 00T	43.56	47.52
13	3961P13 00T	47.52	51.48
14	3961P14 00T	51.48	55.44
15	3961P15 00T	55.44	59.40



ISOMETRIC VIEW

DESCRIPTION OF ORDER NO.:

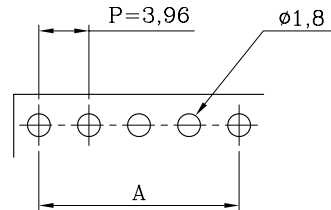


ASSEMBLY LAYOUT

NOTES:

- MATERIAL:
BASE: NYLON66 94V-0, WHITE (NATURAL COLOR)
CONTACT PIN: BRASS
- MATES WITH 3960SXXX00 SERIES PLUG HOUSING.
- DESCRIPTION OF COLOR NO.:
LEGEND: 3961PXX00X-X (-X: COLOR CODE)
B=BLACK, R=RED, E=BLUE, H=GRAY,
I=BRICK RED
- INFORMATION IN THIS DRAWING IS NOT CONSIDERED AS FINAL.

P.C. BOARD LAYOUT
(COMPONENT SIDE)



DESCRIPTION OF PLATING NO.:	
T= TIN-PLATED (T/P)	1= GOLD FLASH-PLATED
V= MATTE TIN-PLATED	



Sales Drawing



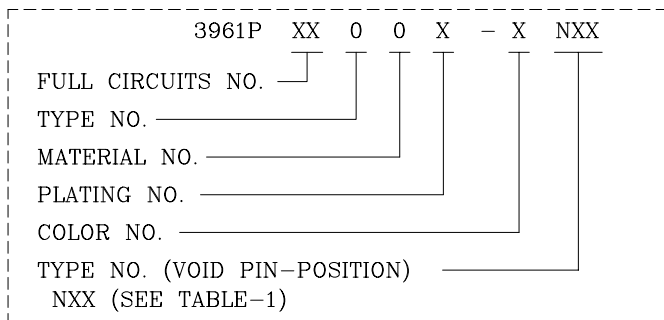
聯盈電子股份有限公司
LANDWIN ELECTRONIC CORP.

MATERIAL: SEE NOTES		PROJECTION		SCALE	UNIT	SHEET NO.	REV
FINISH(COLOR): SEE NOTES		FREE		FREE	MM	1 / 2	W1
		DRAWN		R.G.	DRAW NO.		
		CHECKED		J.L.Lin	(CQ) 3961PXX00X(-XNXX)		
		APPD		H.Y.Lin	TITLE:		
W1	NEW RELEASE	31-DEC-14'	ANGULAR ±3°	DATE 31-DEC-14'	3.96 PITCH SINGLE-ROW S/T HEADER		
REV.	REVISION RECORD	DATE					

ORDER INFORMATION AND DIMENSION:

Full Circuits No.	Part No. (White color, T/P) (Circuit No.2 Void)	Dimension	
		A	B
3	3961P03 00T-SN02	7.92	11.88
4	3961P04 00T-SN02	11.88	15.84
5	3961P05 00T-SN02	15.84	19.80
6	3961P06 00T-SN02	19.80	23.76
7	3961P07 00T-SN02	23.76	27.72
8	3961P08 00T-SN02	27.72	31.68
9	3961P09 00T-SN02	31.68	35.64
10	3961P10 00T-SN02	35.64	39.60
11	3961P11 00T-SN02	39.60	43.56
12	3961P12 00T-SN02	43.56	47.52
13	3961P13 00T-SN02	47.52	51.48
14	3961P14 00T-SN02	51.48	55.44
15	3961P15 00T-SN02	55.44	59.40

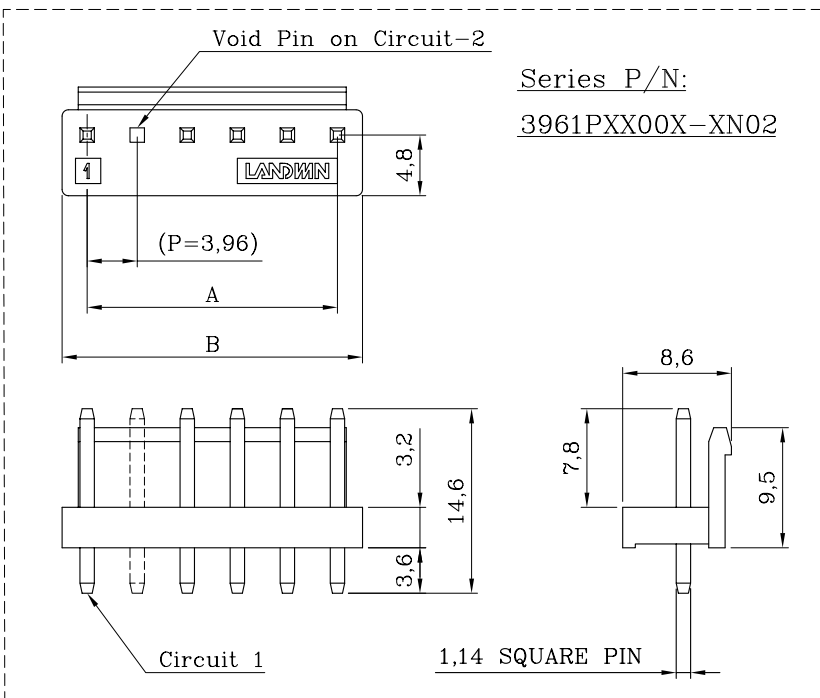
DESCRIPTION OF ORDER NO.:



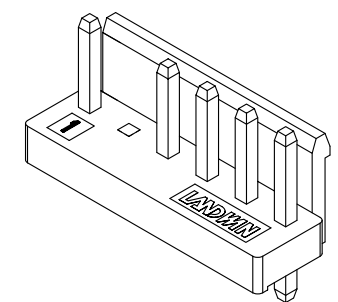
NOTES:

- MATERIAL:
BASE: NYLON66 94V-0
CONTACT PIN: BRASS
- MATES WITH 3960SXX00 SERIES PLUG HOUSING.
- DESCRIPTION OF COLOR NO.:
LEGEND: 3961PXX00X-XNXX (-X: COLOR CODE)
B=BLACK, R=RED, E=BLUE, H=GRAY,
I=BRICK RED, S=WHITE (NATURAL COLOR)
- INFORMATION IN THIS DRAWING IS NOT CONSIDERED AS FINAL.

DESCRIPTION OF PLATING NO.:	
T= TIN-PLATED (T/P)	1= GOLD FLASH-PLATED
V= MATTE TIN-PLATED	



Series P/N:
3961PXX00X-XN02

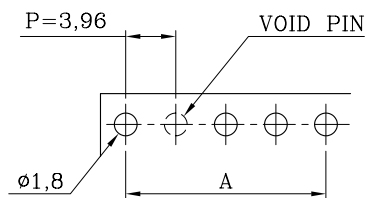


ISOMETRIC VIEW

(Example: Pin-2 Void)
(Series P/N: 3961PXX00X-XN02)

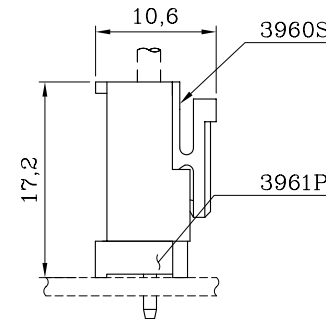
TABLE-1

TYPE NO. (VOID PIN)	Circuit No. with Void Pin
N02	N0.2
NXX	XX = 03 ~ 15
NB1	1, 3
NB2	2, 4
NB8	8, 10
NC2	2, 4, 6
NC3	3, 5, 7
ND2	2, 4, 6, 8
NE2	2, 4, 6, 8, 10
NF2	2, 4, 6, 8, 10, 12
NG2	2, 4, 6, 8, 10, 12, 14



P.C. BOARD LAYOUT

(COMPONENT SIDE, Circuit-2 Void)
(Series P/N: 3961PXX00X-XN02)



ASSEMBLY LAYOUT



Sales Drawing

MATERIAL: SEE NOTES		FINISH(COLOR): SEE NOTES	
W1	NEW RELEASE	31-DEC-14'	ANGULAR ±3°
REV.	REVISION RECORD	DATE	

LANDWIN 聯盈電子股份有限公司
LANDWIN ELECTRONIC CORP.

GENERAL TOLERANCE:	PROJECTION	SCALE	UNIT	SHEET NO.	REV
	FREE	MM	2 / 2	W1	
DRAWN	R.G.	DRAW NO.			
CHECKED	J.L.Lin	(CQ) 3961PXX00X(-XNXX)			
APPD	H.Y.Lin	TITLE:			
		DATE 31-DEC-14'	3.96 PITCH S/T HEADER (VOID PIN TYPE)		