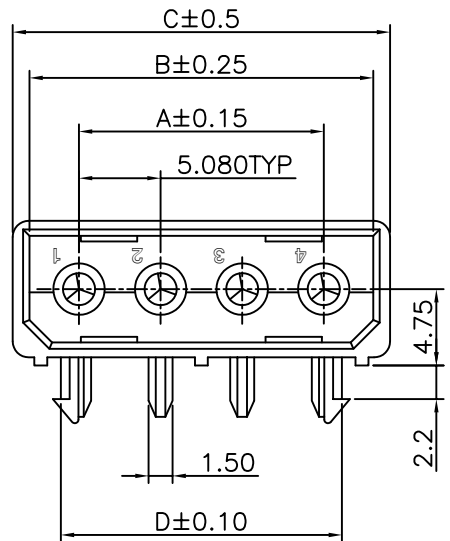


12 11 10 9 8 7 6 5 4 3 2 1

A
B
C
D
E
F

A
B
C
D
E
F

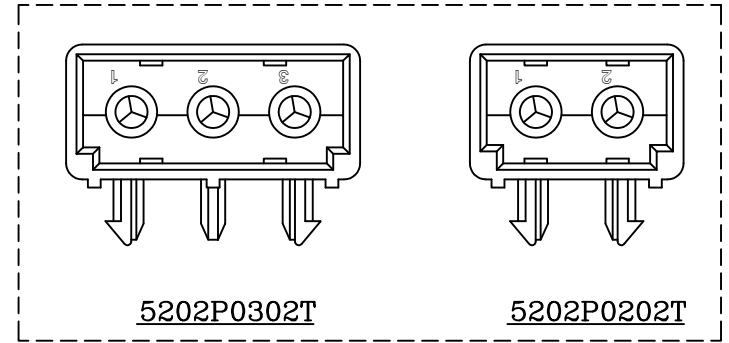


SPECIFICATIONS:

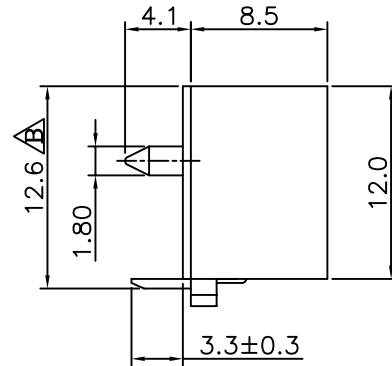
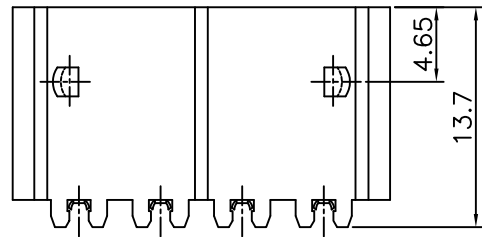
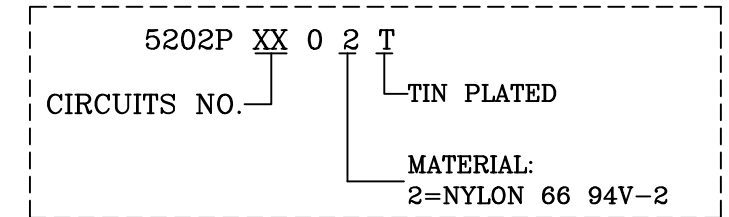
* MATERIAL:

BASE : NYLON 66 94V-2 (NATURAL)

ROUND PIN : BRASS , TIN-PLATED
(NO:5202C012T)

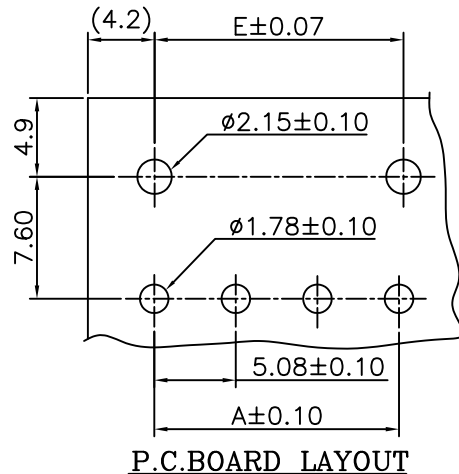
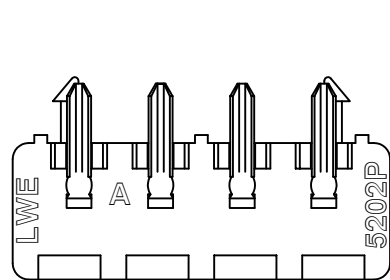


ORDER INFORMATION:



DIMENSIONS:

Circuits	Part No.	Dim. A	Dim. B	Dim. C	Dim. D	Dim. E
2	5202P0202T	5.08	11.3	13.3	7.35	5.40
3	5202P0302T	10.16	16.4	18.3	12.50	10.50
4	5202P0402T	15.24	21.6	23.5	17.60	15.50



MATERIAL: SEE NOTE		SCALE		2 : 1		SHEET		1 OF 1	
FINISH(COLOR):SEE NOTE		DRAWN BY: Alan		28/JUN/01'		UNIT		mm	
FILE NAME:		APPROVED BY:		GENERAL TOLERANCE:		(CQ)		5202PXX02T	
B	DIM. CHANGE	900611	28/JUN/01'	ANGLE:	DIM:	x. ±0.5	TITLE:		
A	NEW RELEASE		14/FEB/01'	±3°	x.x ±0.25	5.08mm PITCH			
REV.	REVISION RECORD	ECN NO.	DATE		x.xx ±0.12	RIGHT ANGLE HEADER			
					x.xxx ±0.08				

THIS DRAWING CONTAINS INFORMATION THAT IS PROPRIETARY TO LANDWIN ELECTRONIC CORP. SHOULD NOT BE USED WITHOUT WRITTEN PERMISSION.