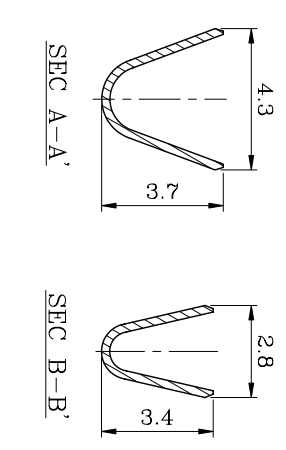
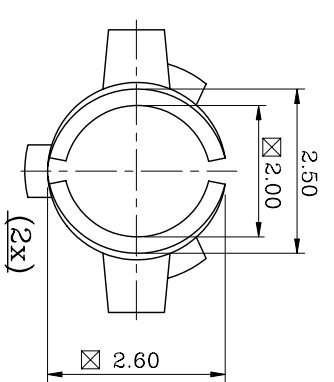
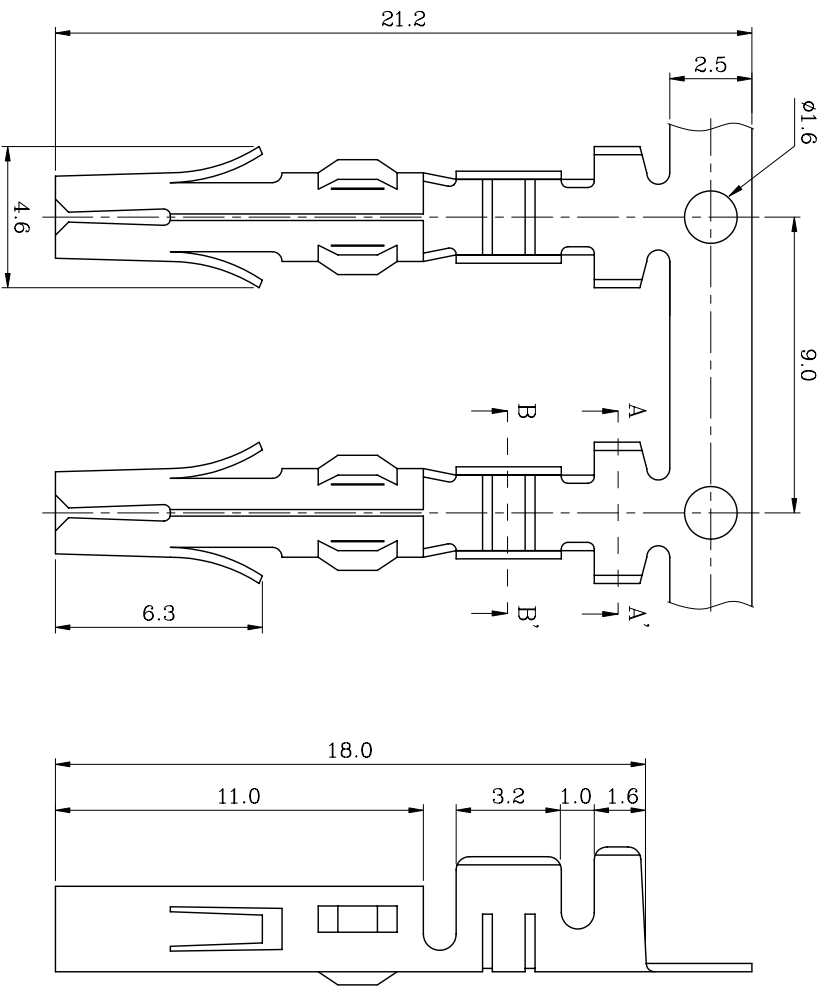
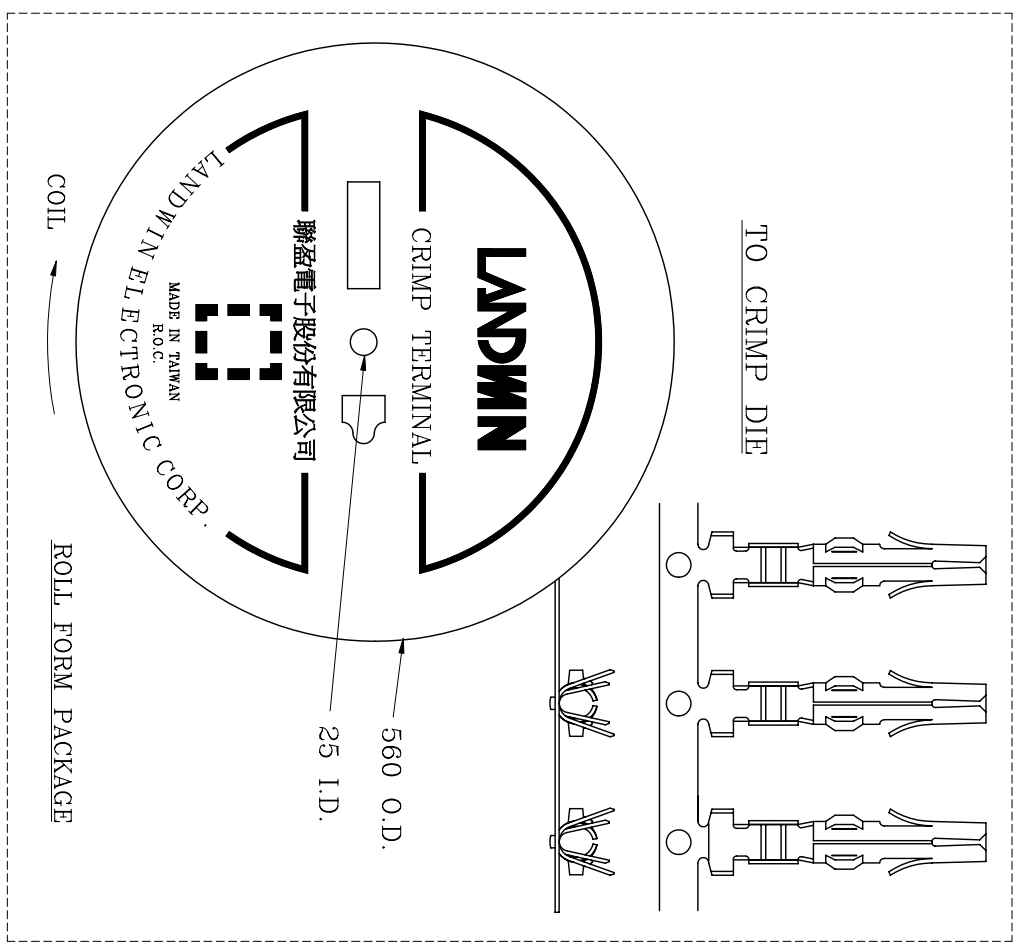


12 11 10 9 8 7 6 5 4 3 2 1



ORDER INFORMATION:  
 5203T03 X X  
 MATERIAL: 1=PHOSPHOR BRONZE  
 2=BRASS  
 PLATING:  
 P=PRE-TIN  
 Δ R=Sn-PLATED

ORDER NO./DIMENSIONS

ORDER NO.	TERMINAL TYPE	WIRE GAUGE	INSULATION DIAMETER	REEL Q'TY
5203T03XX	CHAIN	#16~#20	φ3.8 MAX.	6,000 PCS

MATERIAL: PHOSPHOR BRONZE/BRASS 0.25t  
 FINISH (COLOR):  
 FILE NAME:

**LANDWIN** 聯盈電子股份有限公司  
 LANDWIN ELECTRONIC CORP.

D	ADD PLATING	04/MAY/04	APPROVED BY:	DRAW NO.	SHEET	1 OF 1
C	CHANGE DIM & ADD NOTE	900503 15/MAY/01	GENERAL TOLERANCE:	(BQ)	5203T03XX	D
B	TOLERANCE CHANGE	22/APR/99	ANGLE:	DIM:	TITLE:	
A	NEW RELEASE	26/MAR/99	±3°	±0.5 x.xx x.xxx x.xxx	CRIMP TERMINAL	
REV./REVISION RECORD	ECN NO.	DATE				

THIS DRAWING CONTAINS INFORMATION THAT IS PROPRIETARY TO LANDWIN ELECTRONIC CORP. SHOULD NOT BE USED WITHOUT WRITTEN PERMISSION.