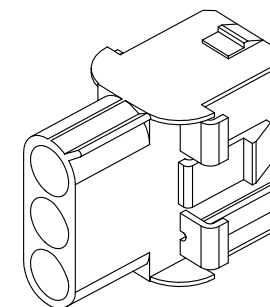


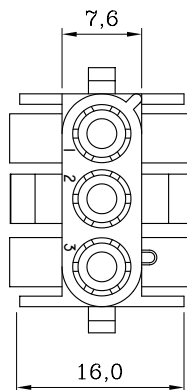
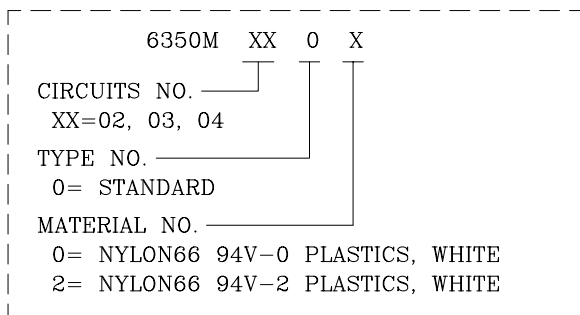
ORDER INFORMATION AND DIMENSION:

Circuits	Part No. (Nylon66 White color)		Dimension	
	UL 94V-0	UL 94V-2	A	B
2	6350M0200	6350M0202	6.35	14.0
3	6350M0300	6350M0302	12.70	20.3
4	6350M0400	6350M0402	19.05	26.7

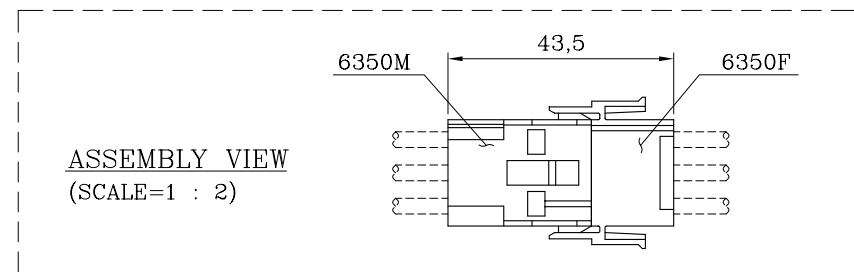
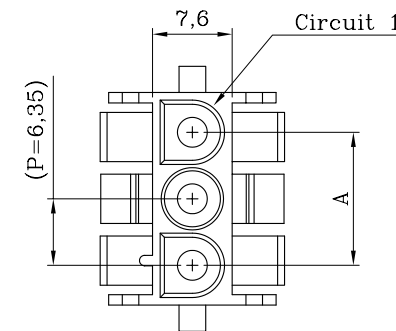
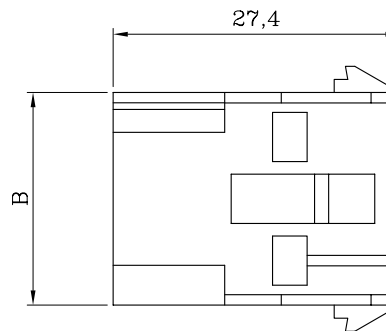


ISOMETRIC VIEW

DESCRIPTION OF ORDER NO.:



2, 3, 4 Circuits



ASSEMBLY VIEW
(SCALE=1 : 2)

NOTES:

- MATERIAL:
 BASE: NYLON66 94V-0/94V-2, WHITE (NATURAL COLOR)
- USE WITH 6353™ SERIES CRIMP TERMINAL.
- MATES WITH 6350FXX0X (XX=02/03/04) SERIES PLUG HOUSING.
- DESCRIPTION OF COLOR NO.:
 LEGEND: 6350MXX0X-X (-X: COLOR CODE)
 B=BLACK, E=BLUE, H=GRAY,
 I=BRICK RED, R=RED, W=BROWN
- INFORMATION IN THIS DRAWING IS NOT CONSIDERED AS FINAL.



Sales Drawing

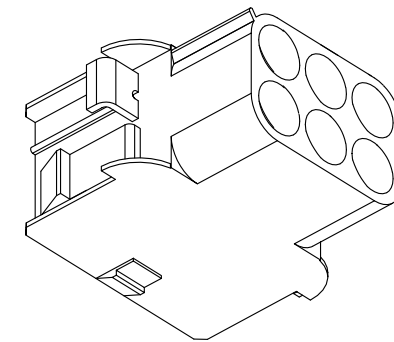
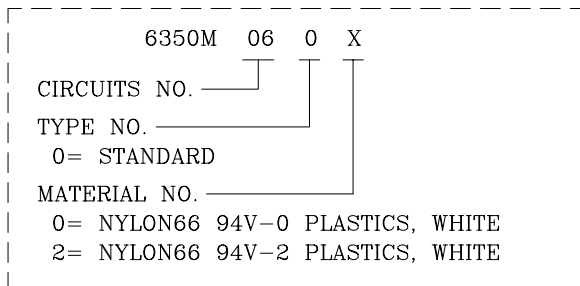
LANDWIN 聯盈電子股份有限公司
 LANDWIN ELECTRONIC CORP.

MATERIAL: SEE NOTES		FINISH(COLOR): SEE NOTES		GENERAL TOLERANCE:		PROJECTION	SCALE	UNIT	SHEET NO.	REV
						⊕	FREE	MM	1 / 3	W1
						DRAWN	R.G.	DRAW NO.		
						CHECKED	J.L.Lin	(AQ) 6350MXX0X		
						APPD	H.Y.Lin	TITLE:		
W1	NEW RELEASE	31-DEC-14'	ANGULAR ±3°	DATE	31-DEC-14'	6.35 PITCH				
REV.	REVISION RECORD	DATE	RECEPTACLE HOUSING							

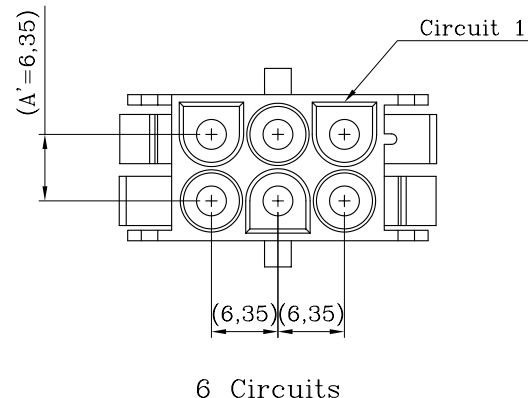
ORDER INFORMATION AND DIMENSION:

Circuits	Part No. (Nylon66 White color)		Dimension	
	UL 94V-0	UL 94V-2	A'	B'
6	6350M0600	6350M0602	6.35	14.0

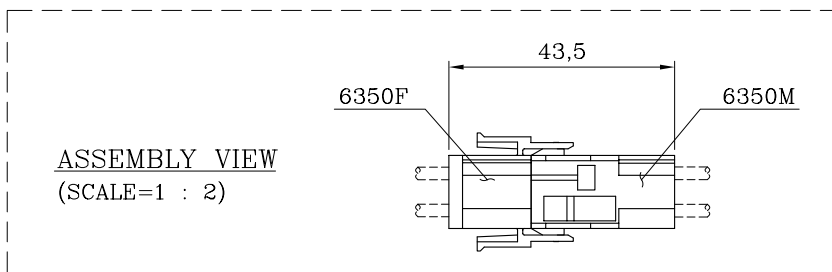
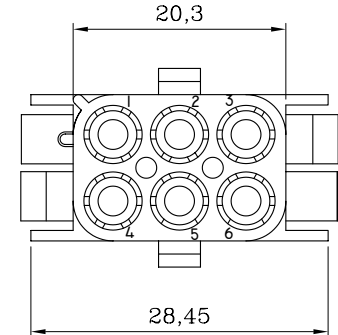
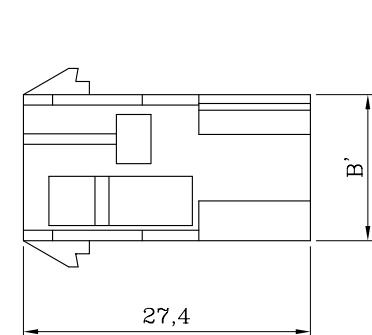
DESCRIPTION OF ORDER NO.:



ISOMETRIC VIEW



6 Circuits



ASSEMBLY VIEW
(SCALE=1 : 2)

NOTES:

- MATERIAL:
BASE: NYLON66 94V-0/94V-2, WHITE (NATURAL COLOR)
- USE WITH 6353™ SERIES CRIMP TERMINAL.
- MATES WITH 6350F060X SERIES PLUG HOUSING.
- DESCRIPTION OF COLOR NO.:
LEGEND: 6350M060X-X (-X: COLOR CODE)
B=BLACK, E=BLUE, H=GRAY,
I=BRICK RED, R=RED, W=BROWN
- INFORMATION IN THIS DRAWING IS NOT CONSIDERED AS FINAL.

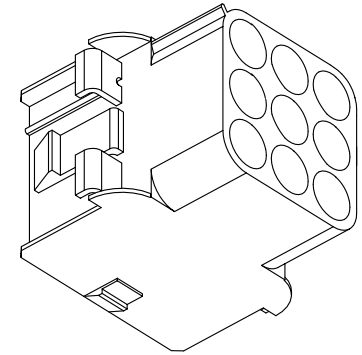


Sales Drawing

MATERIAL: SEE NOTES			聯盈電子股份有限公司 LANDWIN ELECTRONIC CORP.		
FINISH(COLOR): SEE NOTES					
GENERAL TOLERANCE:	PROJECTION	SCALE	UNIT	SHEET NO.	REV
		FREE	MM	2 / 3	W1
	DRAWN	R.G.	DRAW NO.		
	CHECKED	J.L.Lin	(AQ) 6350MXX0X		
	APPD	H.Y.Lin	TITLE:		
W1	NEW RELEASE	31-DEC-14'	ANGULAR ±3°	DATE 31-DEC-14'	6.35 PITCH
REV.	REVISION RECORD	DATE			RECEPTACLE HOUSING

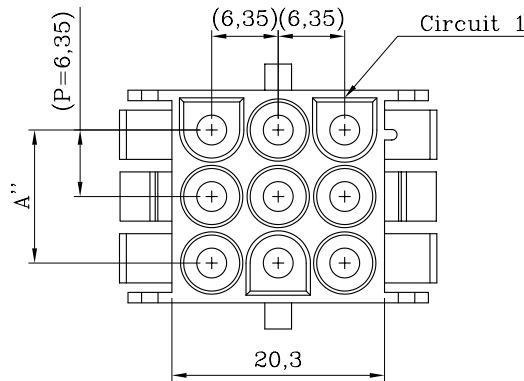
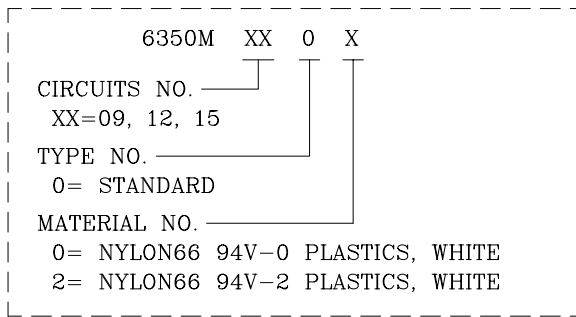
ORDER INFORMATION AND DIMENSION:

Circuits	Part No. (Nylon66 White color)		Dimension	
	UL 94V-0	UL 94V-2	A''	B''
9	6350M0900	6350M0902	12.70	20.3
12	6350M1200	6350M1202	19.05	26.7
15	6350M1500	6350M1502	25.40	33.0

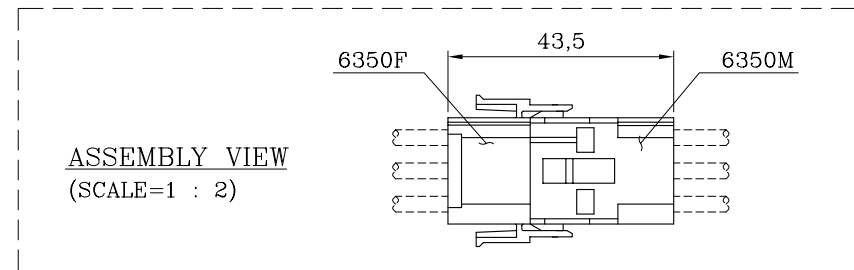
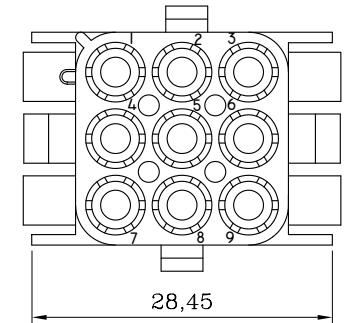
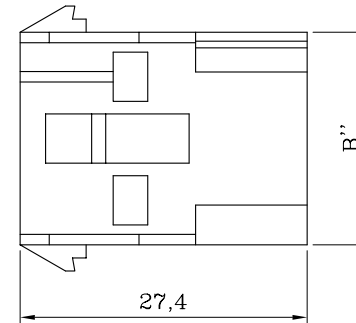


ISOMETRIC VIEW

DESCRIPTION OF ORDER NO.:



9, 12, 15 Circuits



ASSEMBLY VIEW
(SCALE=1 : 2)

NOTES:

- MATERIAL:
 BASE: NYLON66 94V-0/94V-2, WHITE (NATURAL COLOR)
- USE WITH 6353TM SERIES CRIMP TERMINAL.
- MATES WITH 6350FXX0X (XX=09/12/15) SERIES PLUG HOUSING.
- DESCRIPTION OF COLOR NO.:
 LEGEND: 6350MXX0X-X (-X: COLOR CODE)
 B=BLACK, E=BLUE, H=GRAY,
 I=BRICK RED, R=RED, W=BROWN
- INFORMATION IN THIS DRAWING IS NOT CONSIDERED AS FINAL.



Sales Drawing



聯盈電子股份有限公司
 LANDWIN ELECTRONIC CORP.

MATERIAL: SEE NOTES		FINISH(COLOR): SEE NOTES		GENERAL TOLERANCE:		PROJECTION	SCALE	UNIT	SHEET NO.	REV
				ANGULAR ±3°		⊕	FREE	MM	3 / 3	W1
						DRAWN	R.G.	DRAW NO.		
						CHECKED	J.L.Lin	(AQ) 6350MXX0X		
						APPD	H.Y.Lin	TITLE:		
W1	NEW RELEASE	31-DEC-14'	DATE	6.35 PITCH		RECEPTACLE HOUSING				
REV.	REVISION RECORD	DATE								