

6.35 Pitch 6350 SERIES CONNECTOR



6.35 mm Pitch Wire-to-Wire, Wire-to-Board Connector



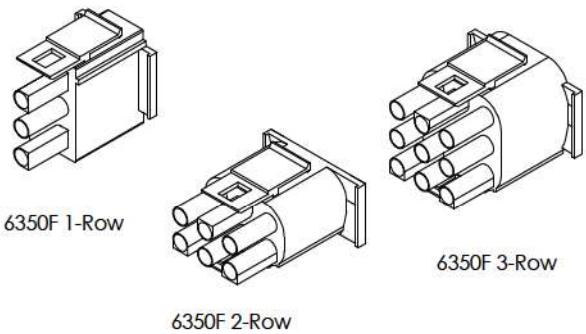
Specifications

- ◇ Current rating: 10A AC/DC Max.
- ◇ Voltage Range: 600V AC,DC
- ◇ Withstand Voltage: 5000V AC/Minute
- ◇ Contact Resistance: 10 mΩ Max. before environment test
- ◇ Insulation Resistance: 1000 MΩ Min.
- ◇ Temperature Range: -55° C to 105° C

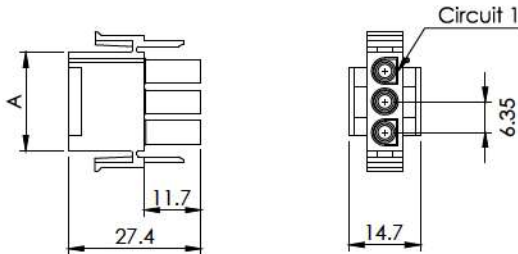
Reference

- ◇ Mates with 6350M series Receptacle Housing
- ◇ Mates with 6351P series Straight Header
- ◇ Use with 6353TF series Crimp Terminal
- ◇ Certification: UL, CSA
- ◇ Applicable wire gauge: AWG 14 - 18

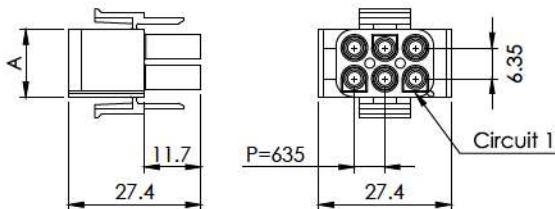
6350F Plug Housing



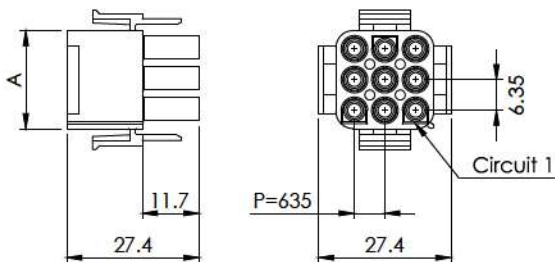
2, 3, 4 Circuit (In-Line)



6 Circuit (Matrix)



9, 12, 15 Circuit (Matrix)



Ordering Information

Circuits	Part No.	Dimension
		A
2	6350F0202	14.0
3	6350F0302	20.3
4	6350F0402	26.7
6	6350F0602	14.0
9	6350F0902	20.3
12	6350F1202	26.7
15	6350F1502	33.0

Material

Part	Material / Finish
Housing	Nylon 66 94V-2, white (natural color)

※ Color Identification: the following alphabet shall be put,
ex. 6350F 02 0 X* (white / natural color)

ex. 6350F 02 0 X* - R

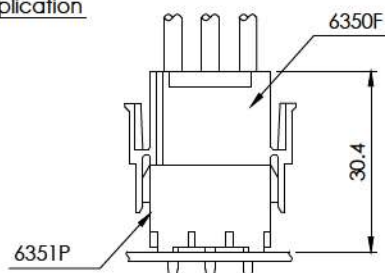
02... Circuit no.

Color no.: B... Black, E... Blue, R... Red color

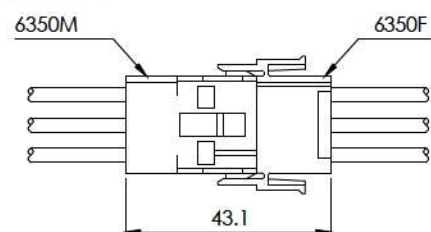
X*... Material no.: 0... Nylon 66 94V-0, 2... Nylon 66 94V-2

Assembly Layout

Wire-to-Board Application



Wire-to-Wire Application



6.35 Pitch 6350 SERIES CONNECTOR



6.35 mm Pitch Wire-to-Wire Connector

RoHS REACH LF HFA GWT

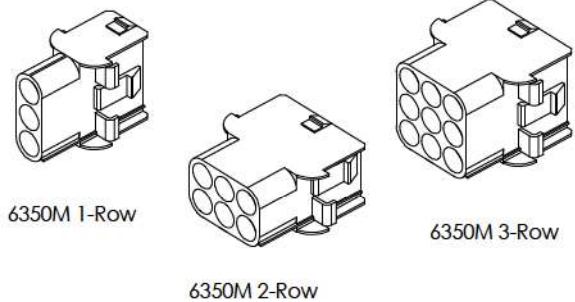
Specifications

- ◇ Current rating: 10A AC/DC Max.
- ◇ Voltage Range: 600V AC,DC
- ◇ Withstand Voltage: 5000V AC/Minute
- ◇ Contact Resistance: 10 mΩ Max. before environment test
- ◇ Insulation Resistance: 1000 MΩ Min.
- ◇ Temperature Range: -55° C to 105° C

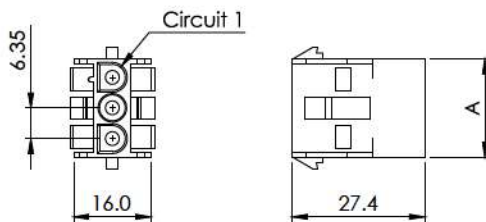
Reference

- ◇ Mates with 6350F series Plug Housing
- ◇ Use with 6353TM series Pin-contact Crimp Terminal
- ◇ Certification: UL, CSA
- ◇ Applicable wire gauge: AWG 14 - 18

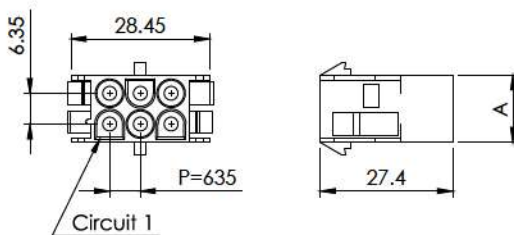
6350M Receptacle Housing



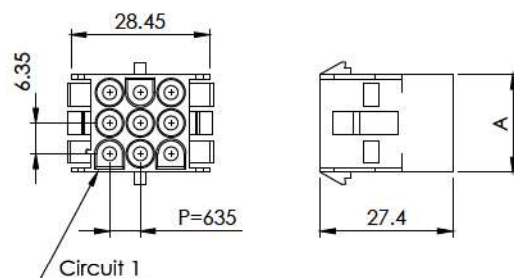
2, 3, 4 Circuit (In-Line)



6 Circuit (Matrix)



9, 12, 15 Circuit (Matrix)



Ordering Information

Circuits	Part No.	Dimension
		A
2	6350M0202	13.97
3	6350M0302	20.32
4	6350M0402	26.67
6	6350M0602	13.97
9	6350M0902	20.32
12	6350M1202	26.67
15	6350M1502	33.02

Material

Part	Material / Finish
Housing	Nylon 66 94V-2, white (natural color)

※ Color Identification: the following alphabet shall be put,
 ex. 6350M 02 0 X* (white / natural color)
 ex. 6350M 02 0 X* - R

02... Circuit no.

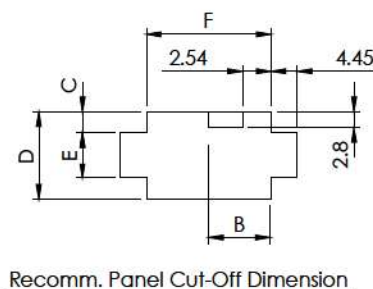
Color no. : B... Black, E... Blue, R... Red color

X*... Material no.: 0... Nylon 66 94V-0, 2... Nylon 66 94V-2

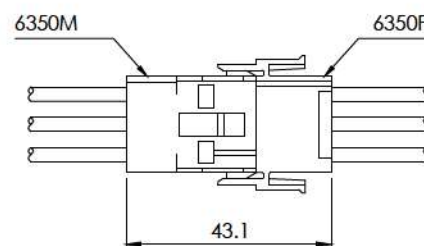
Cut-off Dimension

Circuits	Dimension				
	B	C	D	E	F
2	8.6	2.4	13.5	6.35	14.4
3	8.6	2.4	13.5	6.35	20.7
4	8.6	2.4	13.5	6.35	27.1
6	12.2	7.0	26.2	6.35	14.4
9	12.2	7.0	26.2	6.35	20.7
12	12.2	7.0	26.2	8.89	27.1
15	12.2	7.0	26.2	8.89	33.4

Panel Layout / Assembly Layout



Recomm. Panel Cut-Off Dimension



6.35 Pitch 6350 SERIES CONNECTOR



6.35 mm Pitch Wire-to-Wire, Wire-to-Board Connector



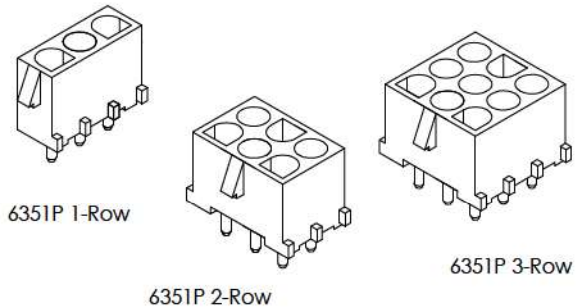
Specifications

- ◇ Current rating: 10A AC/DC Max.
- ◇ Voltage Range: 600V AC,DC
- ◇ Withstand Voltage: 5000V AC/Minute
- ◇ Contact Resistance: 10 mΩ Max. before environment test
- ◇ Insulation Resistance: 1000 MΩ Min.
- ◇ Temperature Range: -55° C to 105° C

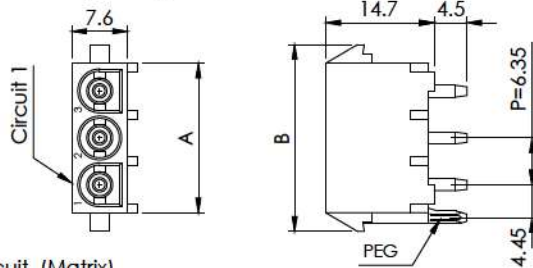
Reference

- ◇ Mates with 6350F series Plug Housing
- ◇ Certification: UL, CSA

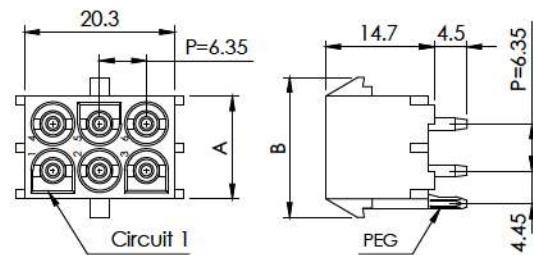
6351P Straight Header



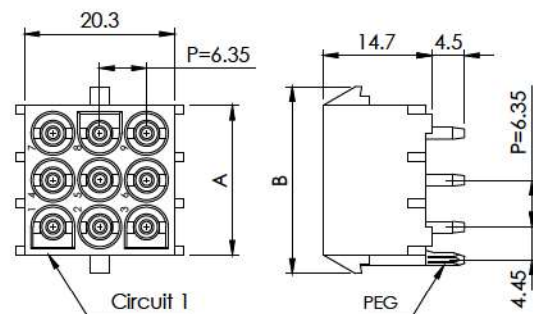
2, 3, 4 Circuit (In-Line)



6 Circuit (Matrix)



9, 12, 15 Circuit (Matrix)



Ordering Information

Circuits	Part No.		Dimension	
	W/O Peg	With Peg	A	B
2	6351P0200T	6351P0210T	13.97	18.97
3	6351P0300T	6351P0310T	20.32	25.32
4	6351P0400T	6351P0410T	26.67	31.67
6	6351P0600T	6351P0610T	13.97	18.97
9	6351P0900T	6351P0910T	20.32	25.32
12	6351P1200T	6351P1210T	26.67	31.67
15	6351P1500T	6351P1510T	33.02	38.02

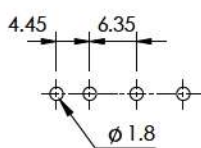
Material

Part	Material
Base	Nylon 66 94V-0, white (natural color)
Contact	Brass, Tin-plated

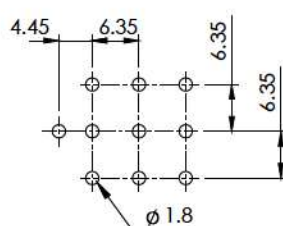
※ Color Identification: the following alphabet shall be put,
 ex. 6351P 02 0 X* T (white / natural color)
 ex. 6351P 02 1 X* T - R
 02... Circuit no.
 Color no. : B... Black, E... Blue, R... Red color
 X*... Material no.: 0... Nylon 66 94V-0, 1... Nylon 66-GF 94V-0

P.C. Board Layout / Assembly Layout

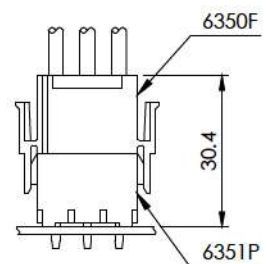
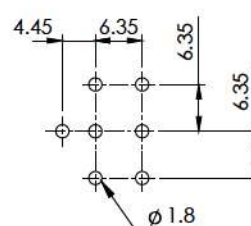
2, 3, 4 Circuit (In-Line)



9, 12, 15 Circuit (Matrix)



6 Circuit (Matrix)



6.35 Pitch 6350 SERIES CONNECTOR



6.35 mm Pitch Wire-to-Wire, Wire-to-Board Connector

RoHS REACH LF HFA GWT

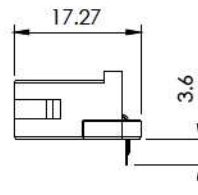
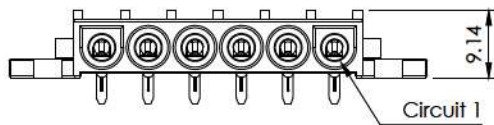
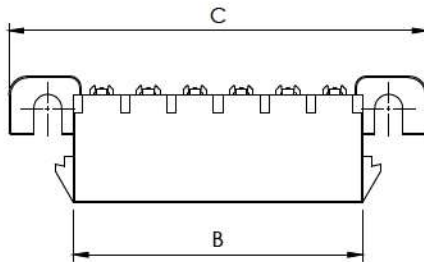
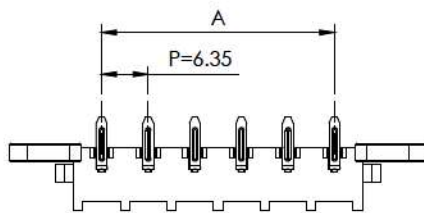
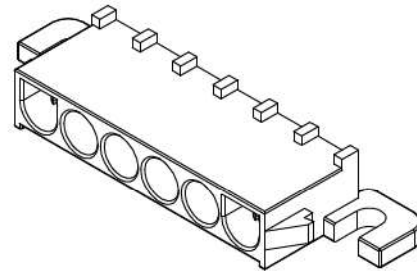
6352P Right-angle Header

Specifications

- ◇ Current rating: 10A AC/DC Max.
- ◇ Voltage Range: 600V AC,DC
- ◇ Withstand Voltage: 5000V AC/Minute
- ◇ Contact Resistance: 10 mΩ Max. before environment test
- ◇ Insulation Resistance: 1000 MΩ Min.
- ◇ Temperature Range: -55° C to 105° C

Reference

- ◇ Mates with 6350F series Plug Housing
- ◇ Certification: Refer to 6350 series



Ordering Information

Circuits	Part No.	Dimension		
		A	B	C
6	6352P0611T	31.75	39.37	57.02

Material

Part	Material
Base	Glass-filled Nylon 66 94V-0, Light ivory color
Contact	Brass, Tin-plated

※ Color Identification: the following alphabet shall be put.

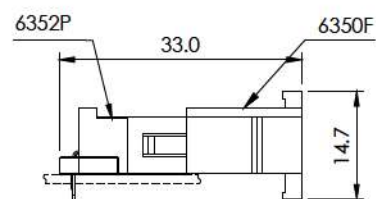
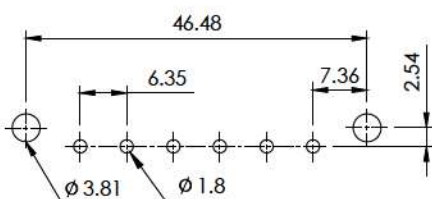
ex. 6352P 06 1 1 T (Light ivory color)

ex. 6352P 06 1 1 T - R

06... Circuit no.

Color no. : B... Black, E... Blue, R... Red color

P.C. Board Layout / Assembly Layout



6.35 Pitch 6350 SERIES CONNECTOR



6.35 mm Pitch Wire-to-Wire, Wire-to-Board Connector



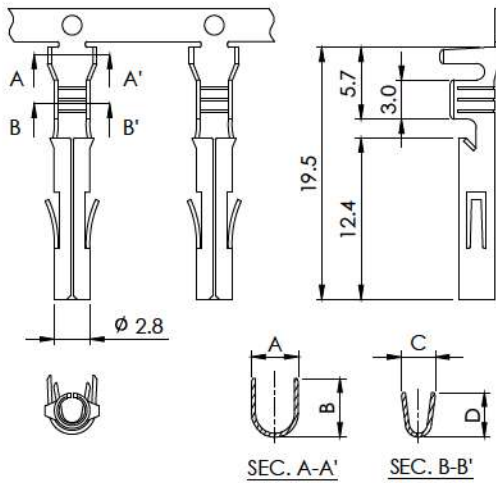
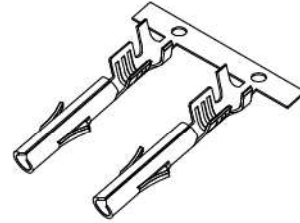
Specifications

- ◇ Current rating: 10A AC/DC Max.
- ◇ Voltage Range: 600V AC,DC
- ◇ Temperature Range: -55° C to 105° C

Reference

- ◇ Use with 6350F series Plug Housing
- ◇ Mates with 6353TM series Pin-contact Crimp Terminal

6353TF Crimp Terminal



Ordering Information

Part No.	Applicable Wire		Q'ty / Reel
	AWG #	Insulation O.D. mm	
6353TF12R	18 - 24	2.7 Max.	4,000
6353TF12R-1	14 - 18	3.5 Max.	4,000

Material

Part No.	Material	A	B	C	D
6353TF12R	Brass, Tin-plated	3.8	4.5	2.6	3.4
6353TF12R-1	Brass, Tin-plated	4.5	4.5	3.4	3.4

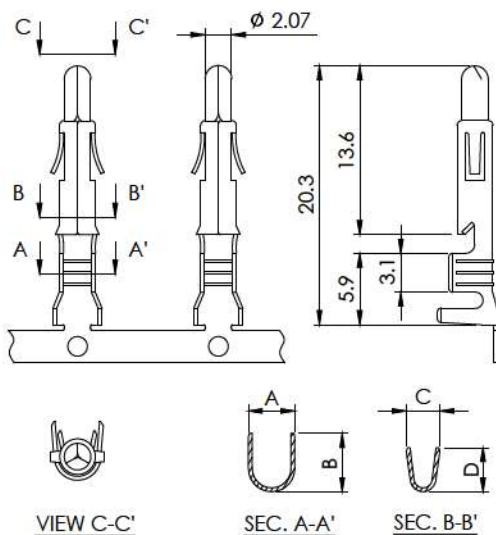
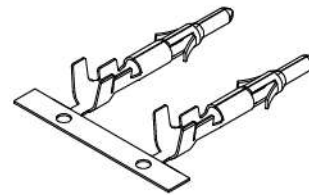
Specifications

- ◇ Current rating: 10A AC/DC Max.
- ◇ Voltage Range: 600V AC,DC
- ◇ Temperature Range: -55° C to 105° C

Reference

- ◇ Use with 6350M series Receptacle Housing
- ◇ Mates with 6353TF series Crimp Terminal

6353TM Pin-contact Crimp Terminal



Ordering Information

Part No.	Applicable Wire		Q'ty / Reel
	AWG #	Insulation O.D. mm	
6353TM12R	18 - 24	2.7 Max.	4,000
6353TM12R-1	14 - 18	3.5 Max.	4,000

Material

Part No.	Material	A	B	C	D
6353TM12R	Brass, Tin-plated	3.8	4.5	2.6	3.4
6353TM12R-1	Brass, Tin-plated	4.5	4.5	3.4	3.4