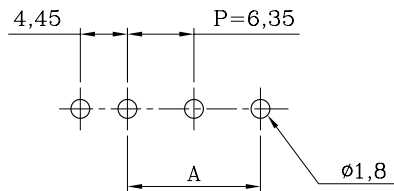
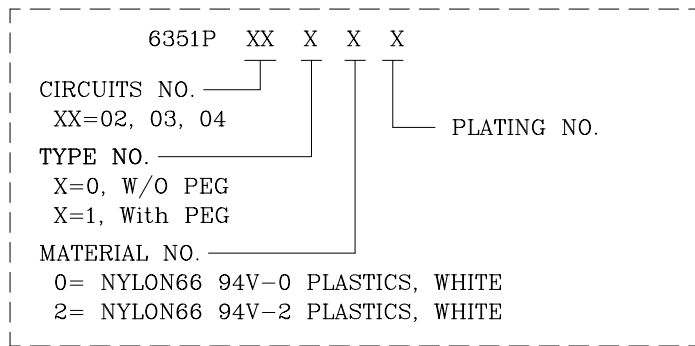


ORDER INFORMATION AND DIMENSION:

Circuits	Part No. (Nylon66 94V-2, White, T/P)		Dimension	
	W/O Peg	With Peg	A	B
2	6351P0202T	6351P0212T	6.35	14.0
3	6351P0302T	6351P0312T	12.70	20.3
4	6351P0402T	6351P0412T	19.05	26.7

DESCRIPTION OF ORDER NO.:

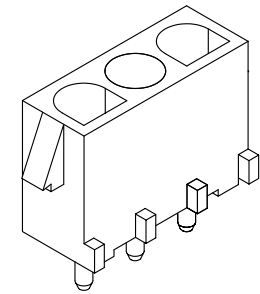
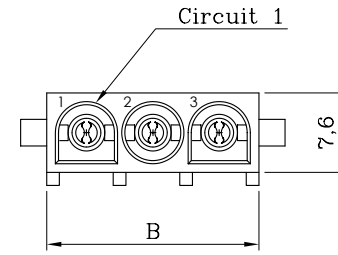


P.C. BOARD LAYOUT (COMPONENT SIDE)

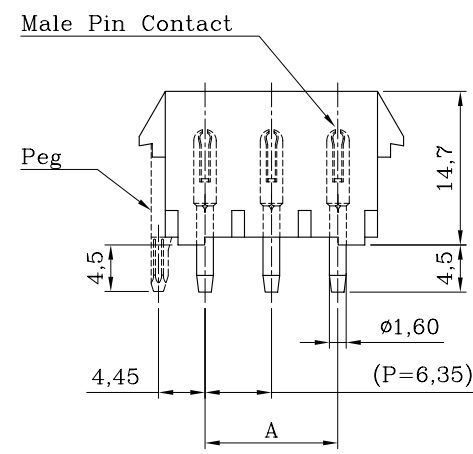
NOTES:

- MATERIAL:
BASE: NYLON66 94V-0/94V-2, WHITE (NATURAL COLOR)
- MATES WITH 6353TF SERIES CRIMP TERMINAL.
- MATES WITH 6350FXXOX (XX=02/03/04) SERIES PLUG HOUSING.
- DESCRIPTION OF COLOR NO.:
LEGEND: 6351PXXOX-X / 6351PXX1XX-X (-X: COLOR CODE)
B=BLACK, E=BLUE, H=GRAY,
I=BRICK RED, R=RED, W=BROWN
- INFORMATION IN THIS DRAWING IS NOT CONSIDERED AS FINAL.

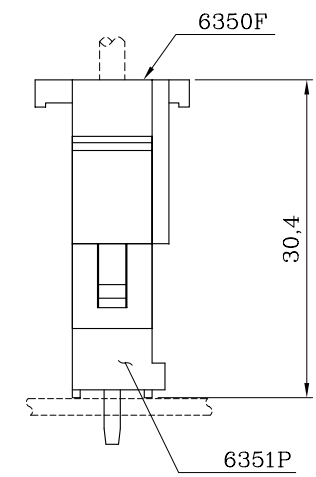
DESCRIPTION OF PLATING NO.:	
T= TIN-PLATED (T/P)	1= GOLD FLASH-PLATED



ISOMETRIC VIEW



2, 3, 4 Circuits



ASSEMBLY LAYOUT

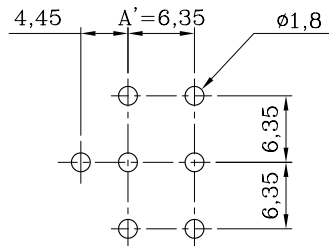
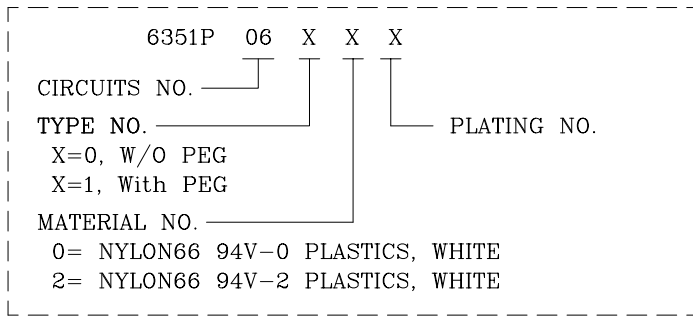
Sales Drawing

MATERIAL: SEE NOTES		聯盈電子股份有限公司 LANDWIN ELECTRONIC CORP.				
FINISH(COLOR): SEE NOTES						
GENERAL TOLERANCE:	PROJECTION	SCALE	UNIT	SHEET NO.	REV	
		FREE	MM	1 / 3	W1	
	DRAWN R.G.	DRAW NO.				
	CHECKED J.L.Lin	(CQ) 6351PXXXXX				
	APPD H.Y.Lin	TITLE:				
W1	NEW RELEASE	31-DEC-14'	ANGULAR ±3°	DATE 31-DEC-14'	6.35 PITCH, MALE PIN STRAIGHT HEADER	
REV.	REVISION RECORD	DATE				

ORDER INFORMATION AND DIMENSION:

Circuits	Part No. (Nylon66 94V-2, White, T/P)		Dimension	
	W/O Peg	With Peg	A'	B'
6	6351P0602T	6351P0612T	6.35	14.0

DESCRIPTION OF ORDER NO.:

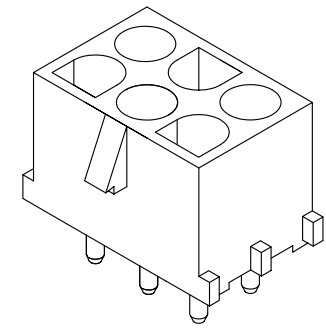
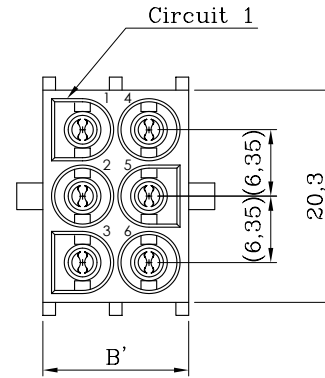


P.C. BOARD LAYOUT (COMPONENT SIDE)

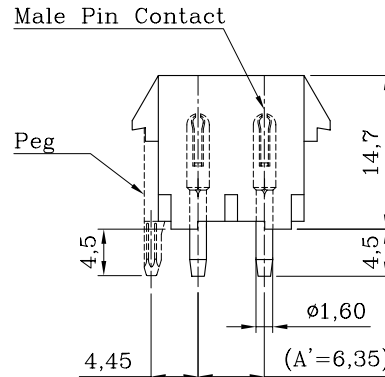
NOTES:

- MATERIAL:
BASE: NYLON66 94V-0/94V-2, WHITE (NATURAL COLOR)
- MATES WITH 6353TF SERIES CRIMP TERMINAL.
- MATES WITH 6350F060X SERIES PLUG HOUSING.
- DESCRIPTION OF COLOR NO.:
LEGEND: 6351P060XX-X / 6351P061XX-X (-X: COLOR CODE)
B=BLACK, E=BLUE, H=GRAY,
I=BRICK RED, R=RED, W=BROWN
- INFORMATION IN THIS DRAWING IS NOT CONSIDERED AS FINAL.

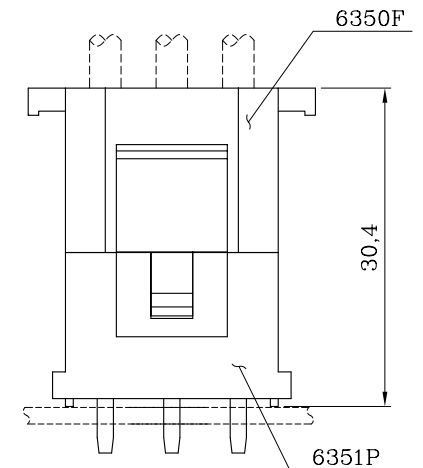
DESCRIPTION OF PLATING NO.:	
T= TIN-PLATED (T/P)	1= GOLD FLASH-PLATED



ISOMETRIC VIEW



6 Circuits



ASSEMBLY LAYOUT



Sales Drawing

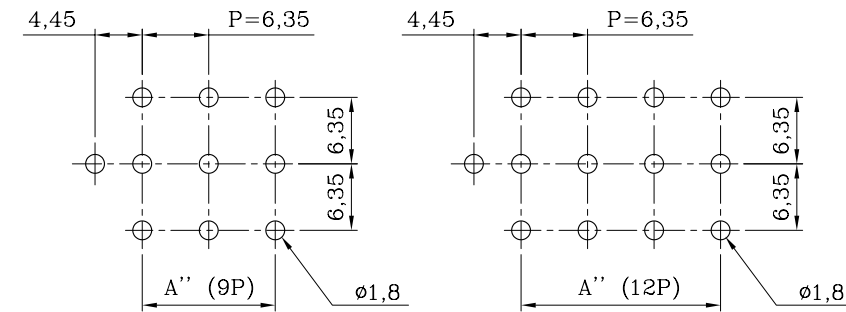
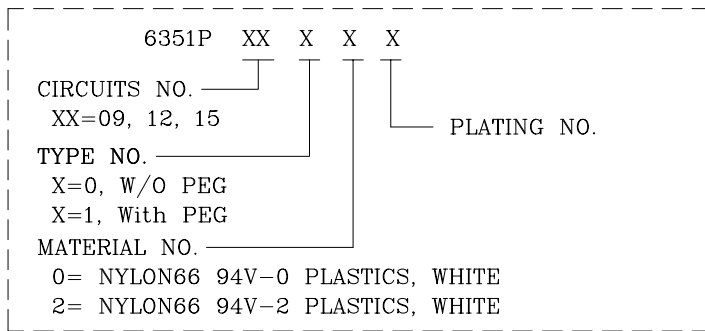
LANDWIN 聯盈電子股份有限公司
LANDWIN ELECTRONIC CORP.

MATERIAL: SEE NOTES		PROJECTION		SCALE	UNIT	SHEET NO.	REV
FINISH(COLOR): SEE NOTES		FREE		FREE	MM	2 / 3	W1
		DRAWN		R.G.	DRAW NO.		
		CHECKED		J.L.Lin	(CQ) 6351PXXXXX		
		APPD		H.Y.Lin	TITLE:		
W1	NEW RELEASE	31-DEC-14'	ANGULAR $\pm 3^\circ$	DATE 31-DEC-14'	6.35 PITCH, MALE PIN STRAIGHT HEADER		
REV.	REVISION RECORD	DATE					

ORDER INFORMATION AND DIMENSION:

Circuits	Part No. (Nylon66 94V-2, White, T/P)		Dimension	
	W/O Peg	With Peg	A''	B''
9	6351P0902T	6351P0912T	12.70	20.3
12	6351P1202T	6351P1212T	19.05	26.7
15	6351P1502T	6351P1512T	25.40	33.0

DESCRIPTION OF ORDER NO.:

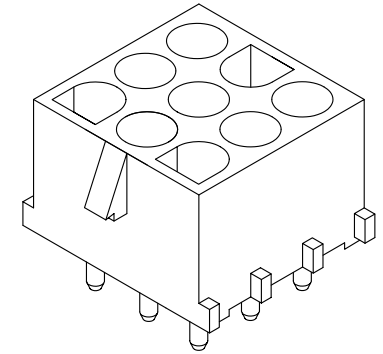
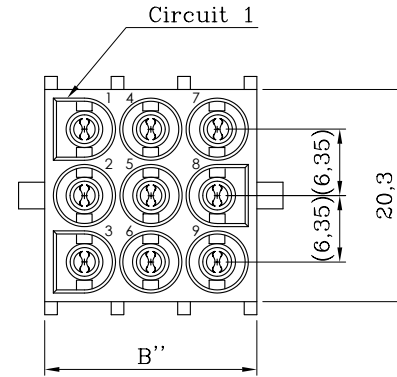


P.C. BOARD LAYOUT (COMPONENT SIDE)

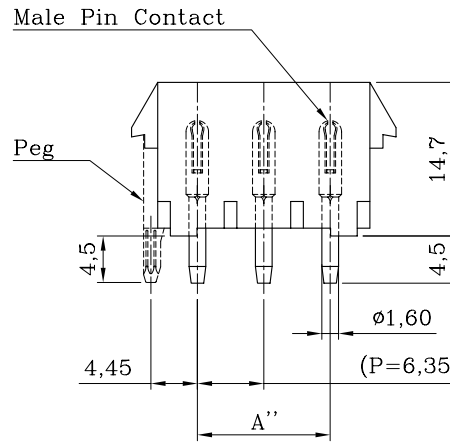
NOTES:

- MATERIAL:
BASE: NYLON66 94V-0/94V-2, WHITE (NATURAL COLOR)
- MATES WITH 6353TF SERIES CRIMP TERMINAL.
- MATES WITH 6350FXXOX (XX=09/12/15) SERIES PLUG HOUSING.
- DESCRIPTION OF COLOR NO.:
LEGEND: 6351PXX0XX-X / 6351PXX1XX-X (-X: COLOR CODE)
B=BLACK, E=BLUE, H=GRAY, R=RED, W=BROWN
- INFORMATION IN THIS DRAWING IS NOT CONSIDERED AS FINAL.

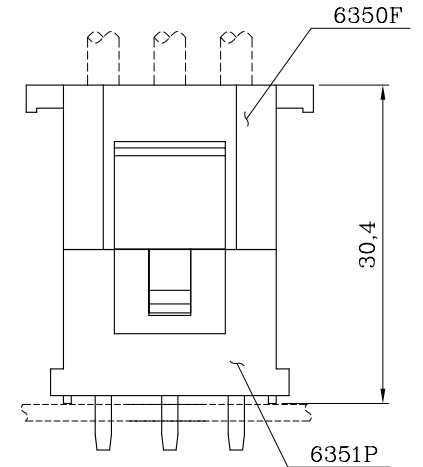
DESCRIPTION OF PLATING NO.:	
T= TIN-PLATED (T/P)	1= GOLD FLASH-PLATED



ISOMETRIC VIEW



9, 12, 15 Circuits



ASSEMBLY LAYOUT

RoHS Compliant REACH Compliant Sales Drawing

LANDWIN 聯盈電子股份有限公司
LANDWIN ELECTRONIC CORP.

MATERIAL: SEE NOTES		GENERAL TOLERANCE:		PROJECTION	SCALE	UNIT	SHEET NO.	REV
FINISH(COLOR): SEE NOTES		ANGULAR ±3°		⊕	FREE	MM	3 / 3	W1
W1 NEW RELEASE		DATE 31-DEC-14'		DRAWN R.G.		DRAW NO.		
REV. REVISION RECORD		DATE		CHECKED J.L.Lin		(CQ) 6351PXXXXX		
				APPD H.Y.Lin		TITLE:		
				DATE 31-DEC-14'		6.35 PITCH, MALE PIN STRAIGHT HEADER		