

12 11 10 9 8 7 6 5 4 3 2 1

A

B

C

D

E

F

A

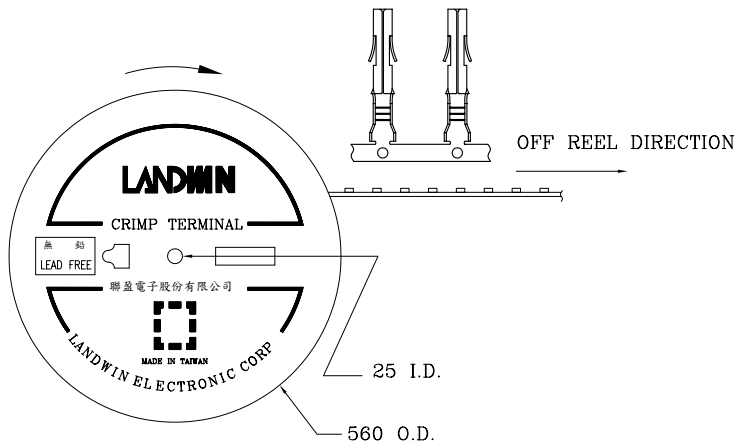
B

C

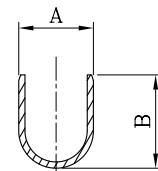
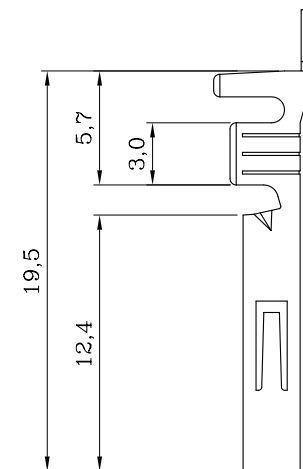
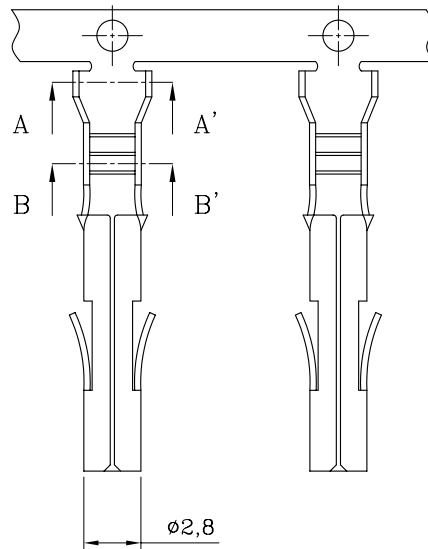
D

E

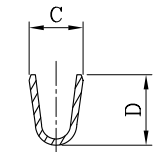
F



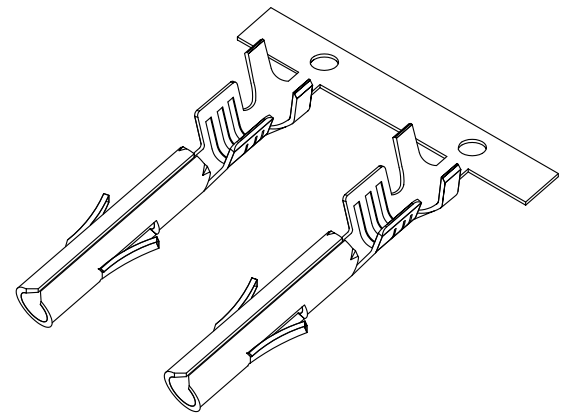
ROLL FORM PACKAGE



SEC. A-A'

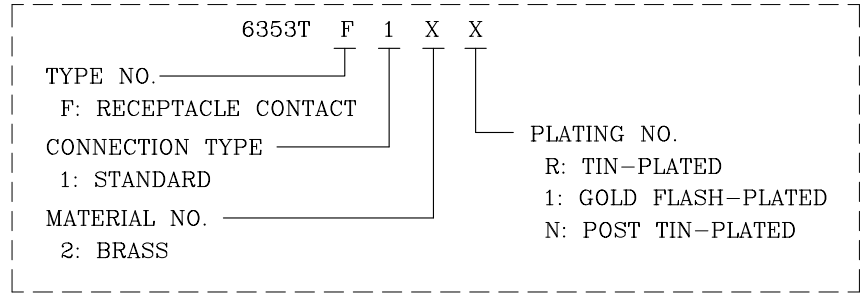


SEC. B-B'



ISOMETRIC VIEW

DESCRIPTION OF ORDER NO.:



ORDER INFORMATION AND DIMENSION:

ORDER NO.	TERMINAL TYPE	WIRE GAUGE RANGE (AWG)	INSULATION DIAMETER	Q'TY/REEL	A	B	C	D
6353TF12X	CHAIN	#18 - #24	2.7 MAX.	4,000 PCS	3,8	4,5	2,6	3,4
6353TF12X-1	CHAIN	#14 - #18	3.5 MAX.	4,000 PCS	4,5	4,5	3,4	3,4

NOTES:

- MATERIAL: BRASS
- USE WITH 6350F SERIES PLUG HOUSING:
<1> 6350FXX0X SERIES
- INFORMATION IN THIS DRAWING IS NOT CONSIDERED AS FINAL.

MATERIAL: SEE NOTES		聯盈電子股份有限公司 LANDWIN ELECTRONIC CORP.					
FINISH(COLOR): SEE NOTES							
		GENERAL TOLERANCE:	PROJECTION	SCALE	UNIT	SHEET NO.	REV
		X.X ±0.25	R.G.	FREE	MM	1 / 1	W1
		X.XX ±0.12	CHECKED J.L.Lin	DRAW NO.		(BQ) 6353TF1XX(-1)	
		X.XXX ±0.08	APPD H.Y.Lin	TITLE:		CRIMP TERMINAL (6350F SERIES)	
W1	NEW RELEASE	31-DEC-14'	ANGULAR ±3°	DATE 31-DEC-14'			
REV.	REVISION RECORD	DATE					

Sales Drawing