

12 11 10 9 8 7 6 5 4 3 2 1

A

B

C

D

E

F

A

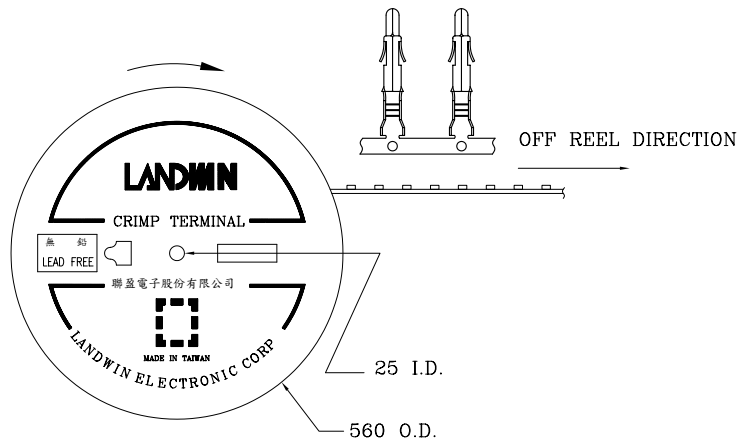
B

C

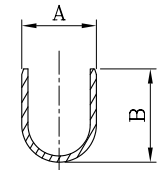
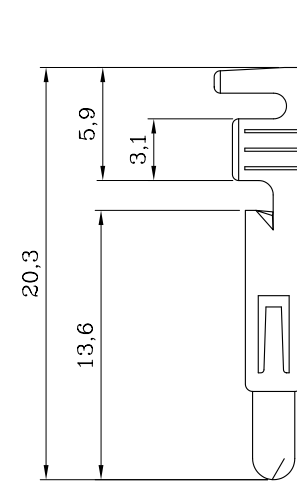
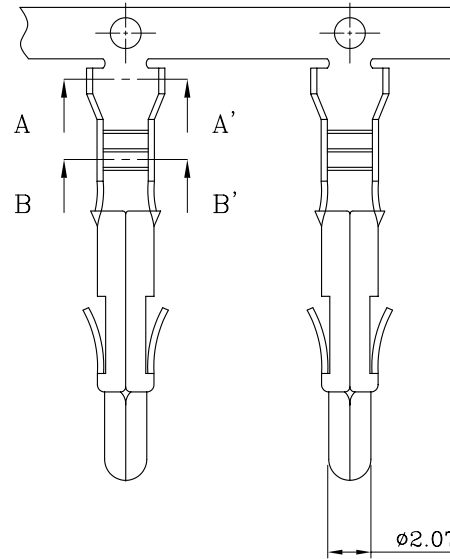
D

E

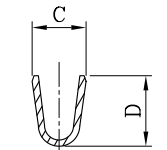
F



ROLL FORM PACKAGE

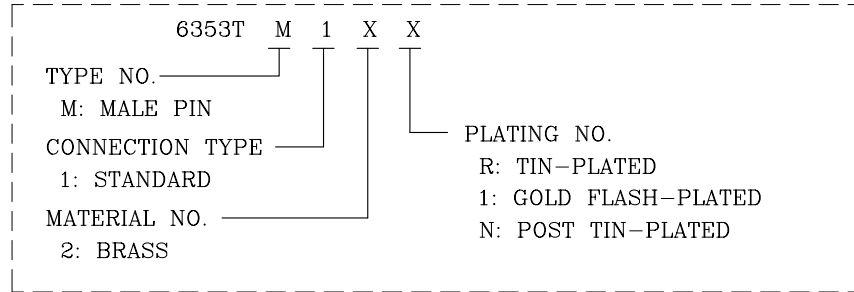


SEC. A-A'



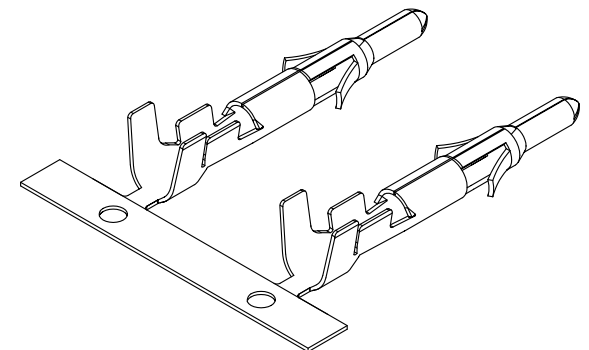
SEC. B-B'

DESCRIPTION OF ORDER NO.:



ORDER INFORMATION AND DIMENSION:

ORDER NO.	TERMINAL TYPE	WIRE GAUGE RANGE (AWG)	INSULATION DIAMETER	Q'TY/REEL	A	B	C	D
6353TM12X	CHAIN	#18 - #24	$\phi 2.7$ MAX.	4,000 PCS	3,8	4,5	2,6	3,4
6353TM12X-1	CHAIN	#14 - #18	$\phi 3.5$ MAX.	4,000 PCS	4,5	4,5	3,4	3,4



ISOMETRIC VIEW

Sales Drawing

NOTES:

- MATERIAL: BRASS
- USE WITH 6350M SERIES RECEPTACLE HOUSING:
 - <1> 6350MXX0X SERIES
 - <2> 6350FXX0X SERIES
- INFORMATION IN THIS DRAWING IS NOT CONSIDERED AS FINAL.

MATERIAL: SEE NOTES		聯盈電子股份有限公司 LANDWIN ELECTRONIC CORP.			
FINISH(COLOR): SEE NOTES					
GENERAL TOLERANCE:	PROJECTION	SCALE	UNIT	SHEET NO.	REV
		FREE	MM	1 / 1	W1
X.X	± 0.25	DRAWN R.G.	DRAW NO.		
X.XX	± 0.12	CHECKED J.L.Lin	(BQ) 6353TM1XX(-1)		
X.XXX	± 0.08	APPD H.Y.Lin	TITLE:		
W1	NEW RELEASE	31-DEC-14'	ANGULAR $\pm 3^\circ$	DATE 31-DEC-14'	CRIMP TERMINAL (6350M SERIES)
REV.	REVISION RECORD	DATE			