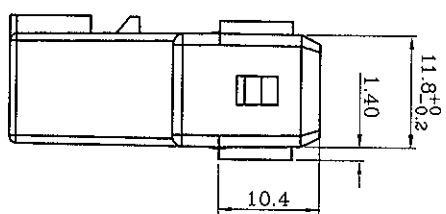
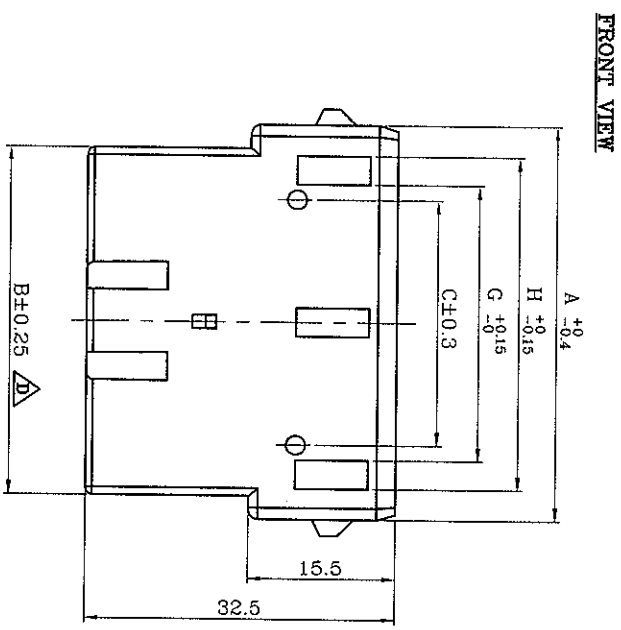
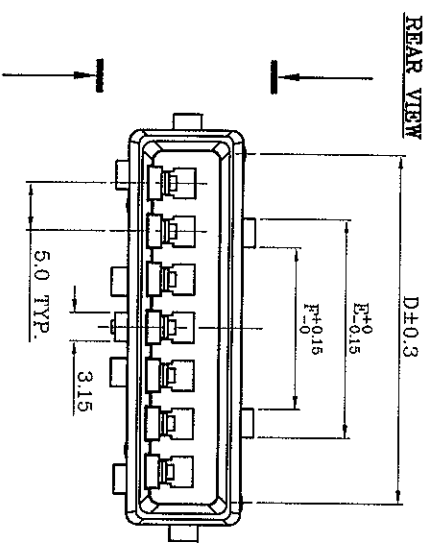
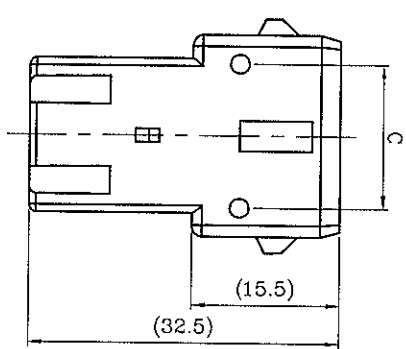


12 11 10 9 8 7 6 5 4 3 2 1

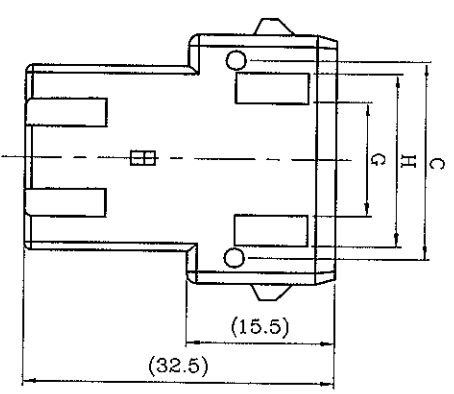


DIMENSION:

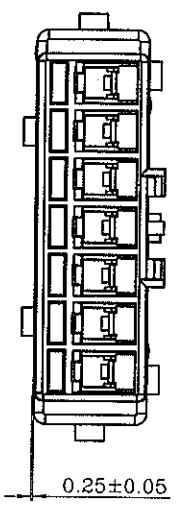
CIRCUITS	A ^{+0.4}	B ^{±0.25}	C ^{±0.3}	D ^{±0.3}	E ^{+0.15}	F ^{+0.15}	G ^{+0.15}	H ^{+0.15}
7PIN	41.3	36.3	25.6	36.3	22.85	16.75	28.7	34.85
6PIN	36.6	31.3	23.9	31.7	22.90	16.85	26.3	32.50
5PIN	31.6	26.3	18.9	26.2	17.85	11.70	21.2	27.30
4PIN	26.6	21.3	18.0	8.0	18.30	11.70	7.8	13.90
3PIN	21.6	16.3	16.7	8.9	18.00	11.80	---	---



3PIN (FRONT VIEW)



4PIN (FRONT VIEW)

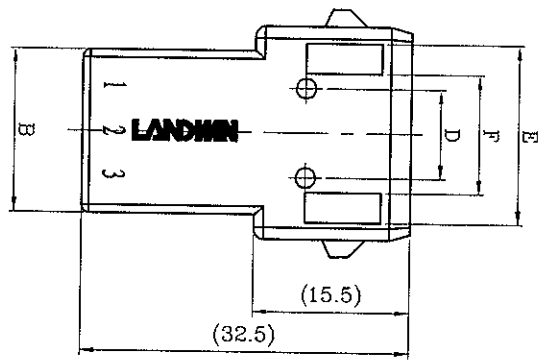


MATERIAL: SEE NOTES		FINISH(COLOR): SEE NOTES	
LANDWIN 聯盈電子股份有限公司			
LANDWIN ELECTRONIC CORP.			
GENERAL TOLERANCE:		PRODUCTION SCALE	
D	MODIFY DIMENSION	TL121014	18/05/12
C	ADD VIEWS	TL100203	16/MAR/10
B	MOVE OUT "2 PIN"	TL080917	26/05/08
A	NEW RELEASE		23/AUG/05
REV.	REVISION RECORD	ECON NO.	DATE
CUSTOMER DRAWING		TITLE: MALE HOUSING FOR SOCKET	
DRAW NO. (AQ) 66201SXX03		SHEET NO. 1 / 2	REV D

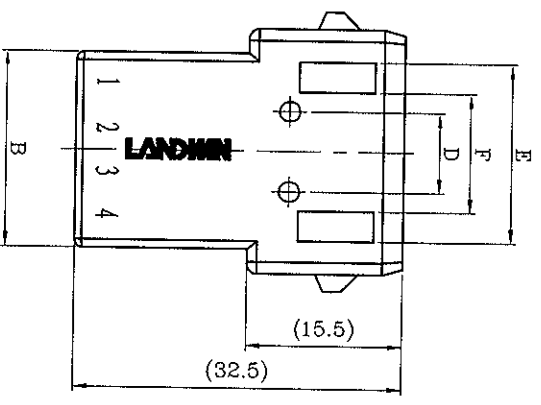
THIS DRAWING CONTAINS INFORMATION THAT IS PROPRIETARY TO LANDWIN ELECTRONIC CORP. SHOULD NOT BE USED WITHOUT WRITTEN PERMISSION.

F E D C B A

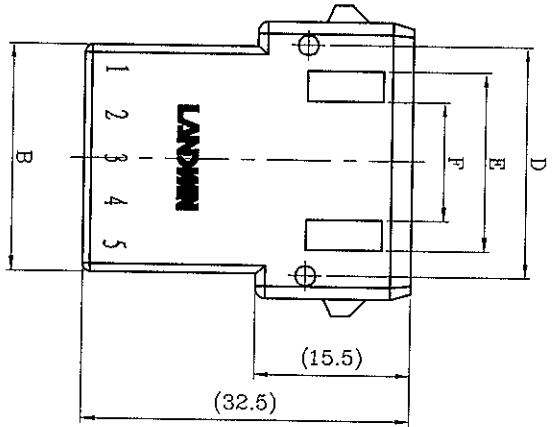
F E D C B A



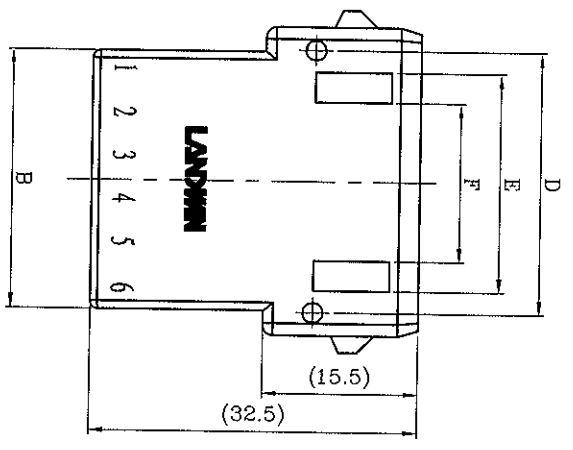
3PIN (REAR VIEW)



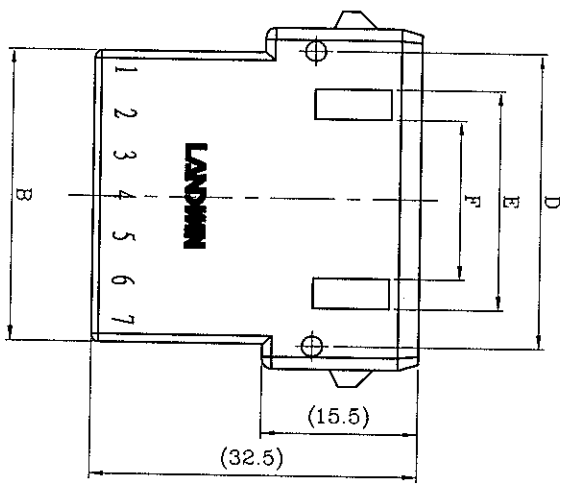
4PIN (REAR VIEW)



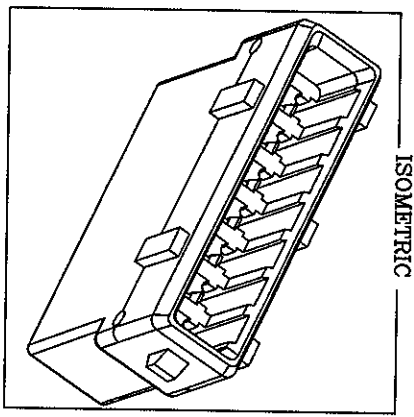
5PIN (REAR VIEW)



6PIN (REAR VIEW)



7PIN (REAR VIEW)



ISOMETRIC

NOTES:

- 1. MATERIAL: PBT+G/F UL 94V-0, BLACK
- 2. MATES WITH 66201T PIN-CONTACT TERMINAL MATES WITH 66202S RECEPTACLE HOUSING

MATERIAL: SEE NOTES
FINISH(COLOR): SEE NOTES



聯盈電子股份有限公司
LANDWIN ELECTRONIC CORP.

CUSTOMER DRAWING

D	MODIFY DIMENSION	TL121014	18/Oct/12	XX	±0.25	PROJECTION	SCALE	UNIT	SHEET NO.	REV
C	ADD VIEWS	TL100203	15/Aug/10	XXX	±0.12	FREE	SCALE	MM	2 / 2	D
B	MOVE OUT "2 PIN"	TL080917	28/Oct/08	XXXX	±0.08	CHECKED	SCALE	MM		
A	NEW RELEASE		25/Mar/05			APP'D	SCALE			
REV.	REVISION RECORD	ECN NO.	DATE	ANGULAR ±3°	DRAWN	CUSTOMER DRAWING				

RoHS Compliant

THIS DRAWING CONTAINS INFORMATION THAT IS PROPRIETARY TO LANDWIN ELECTRONIC CORP. SHOULD NOT BE USED WITHOUT WRITTEN PERMISSION.

TITLE: MALE HOUSING FOR SOCKET
DRAW NO. (AQ) 66201SXX03