

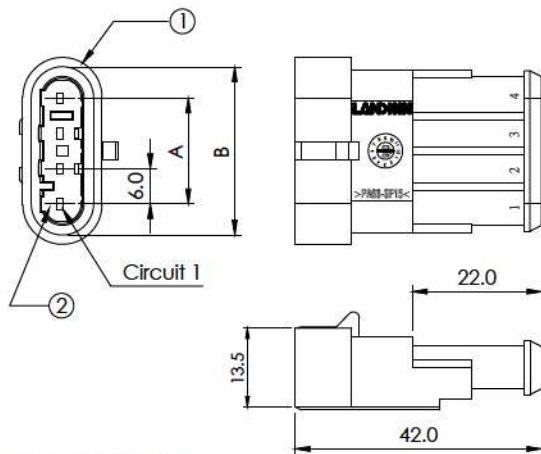
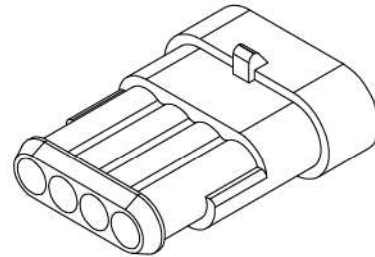
### Specifications

- ◇ Current rating: 14 AC/DC Max.
- ◇ Voltage Range: 24V AC,DC
- ◇ Withstand Voltage: 1500V AC/Minute
- ◇ Contact Resistance: 3 mΩ Max. before environment test
- ◇ Insulation Resistance: 1000 MΩ Min.
- ◇ Temperature Range: -30° C to 125° C

### Reference

- ◇ Mates with 66502S series Receptacle Housing
- ◇ Use with 66501T series Pin-contact Crimp Terminal
- ◇ Use with 66502VA series Cable Seal
- ◇ Applicable wire gauge: 0.51 mm<sup>2</sup> - 0.82 mm<sup>2</sup> (AWG 20 - 18)

### 66501S Plug Housing

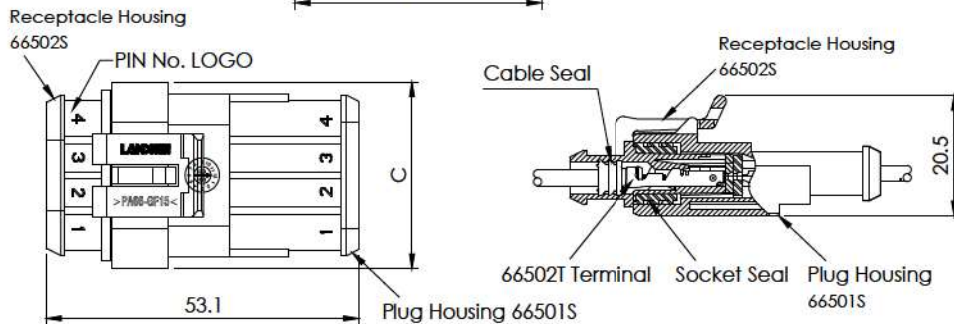


### Ordering Information

PIN No.	Part No.	Dimension		
		A	B	C
1	66501S0131		10.80	13.3
2	66501S0231	6.0	17.05	19.8
3	66501S0331	12.0	23.05	25.8
4	66501S0431	18.0	29.10	31.85
5	66501S0531	24.0	35.10	37.85
6	66501S0631	30.0	41.10	43.85

### Material

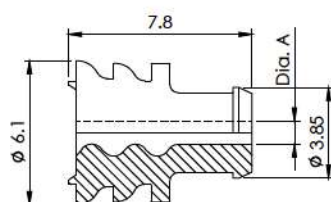
Part	Material
(1) Housing	Glass-filled Nylon 66 94V-0, Black color
(2) Cover Cap	Glass-filled Nylon 66 94V-0, Brick red color



### 66502VA Cable Seal

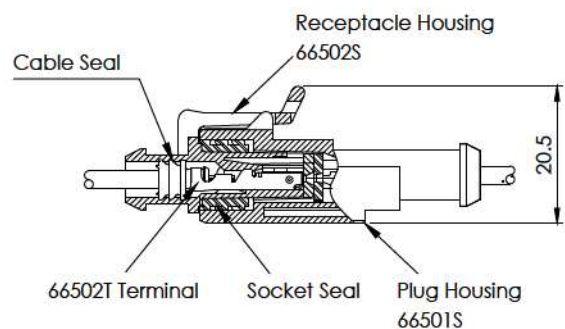
### Reference

- ◇ Use with 66501S or 66502S series Housing
- ◇ Use with 66501T or 66502T series Crimp terminal



Description: Cable Seal  
Part No.: 66502VAX43

- ( X=0, No hole
- X=1, Dia. A = 1.1 mm
- X=2, Dia. A = 1.4 mm
- X=3, Dia. A = 1.8 mm

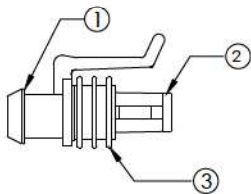
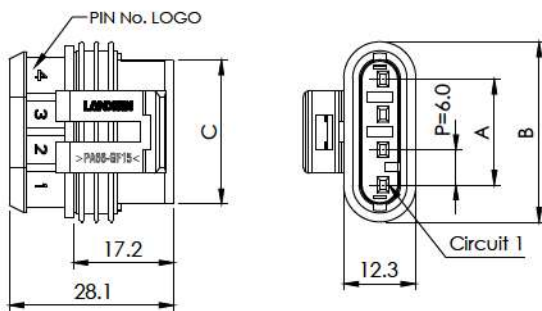


### Specifications

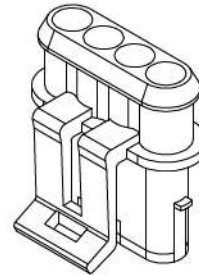
- ◇ Current rating: 14A AC/DC Max.
- ◇ Voltage Range: 24V AC,DC
- ◇ Withstand Voltage: 1500V AC/Minute
- ◇ Contact Resistance: 3 mΩ Max. before environment test
- ◇ Insulation Resistance: 1000 MΩ Min.
- ◇ Temperature Range: -30° C to 125° C

### Reference

- ◇ Mates with 66501S series Plug Housing
- ◇ Use with 66502T series crimp terminal
- ◇ Use with 66502VA series Cable Seal
- ◇ Applicable wire gauge: 0.51 mm<sup>2</sup> - 0.82 mm<sup>2</sup> (AWG 20 - 18)



### 66502S Receptacle Housing



### Ordering Information

PIN No.	Part No.	Dimension		
		A	B	C
1	66502S0131	6.0	11.1	5.6
2	66502S0231	6.0	18.4	12.5
3	66502S0331	12.0	24.3	18.5
4	66502S0431	18.0	29.7	24.5
5	66502S0531	24.0	36.0	30.5
6	66502S0631	30.0	42.5	36.5

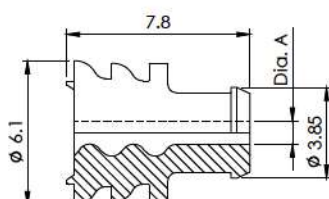
### Material

Part	Material
(1) Housing	Glass-filled Nylon 66 94V-0, Black color
(2) Cover Cap	Glass-filled Nylon 66 94V-0, Brick red color
(3) Socket Seal	Silicone Rubber, Yellow color

### Reference

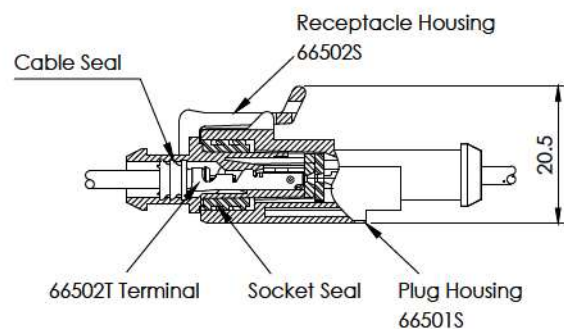
- ◇ Use with 66501S or 66502S series Housing
- ◇ Use with 66501T or 66502T series Crimp terminal

### 66502VA Cable Seal



Description: Cable Seal  
Part No.: 66502VAX43

( X=0, No hole  
X=1, Dia. A = 1.1 mm  
X=2, Dia. A = 1.4 mm  
X=3, Dia. A = 1.8 mm )

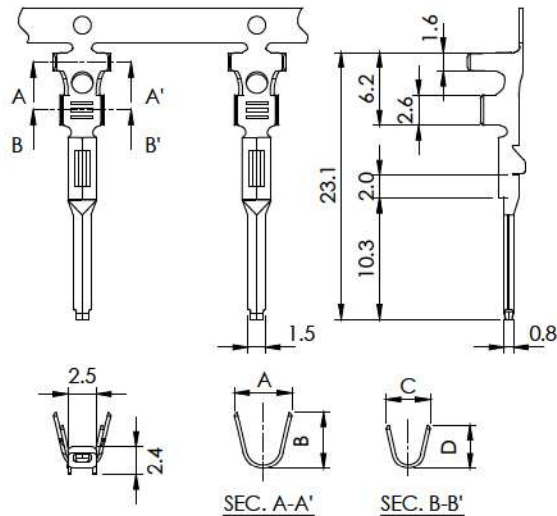


### Specifications

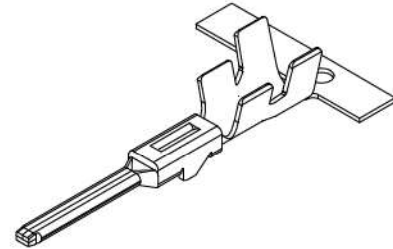
- ◇ Current rating: 14A AC/DC Max.
- ◇ Voltage Range: 24V AC,DC
- ◇ Contact Resistance: 3 mΩ Max. before environment test
- ◇ Temperature Range: -30° C to 125° C

### Reference

- ◇ Use with 66501S series Plug Housing
- ◇ Use with 66502VA series Cable Seal
- ◇ Mates with 66502T series crimp terminal
- ◇ Applicable wire gauge: 0.51 mm<sup>2</sup> - 0.82 mm<sup>2</sup> (AWG 20 - 18)



### 66501T Pin-contact Crimp Terminal



### Ordering Information

Part No.	Applicable Wire		Q'ty / Reel
	AWG #	Insulation O.D. mm	
66501T012R	18 - 20	2.5 Max.	3,000
66501T022R	18 - 20	2.5 Max.	3,000

### Material

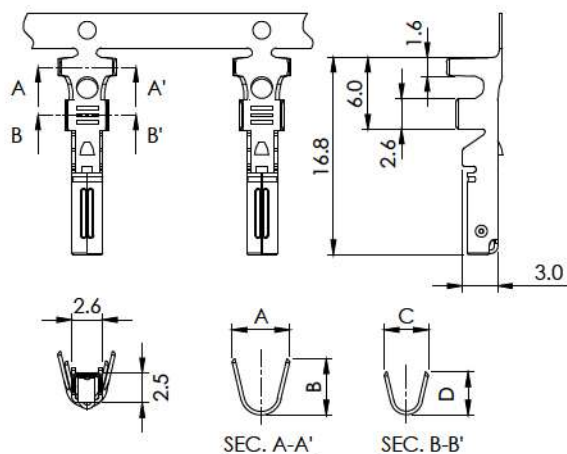
Part No.	Material	A	B	C	D
66501T012R	Brass	4.9	4.8	3.2	3.3
66501T022R	Tin-Plated	4.4	4.2	3.2	3.3

### Specifications

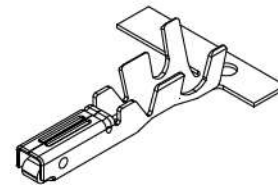
- ◇ Current rating: 14A AC/DC
- ◇ Voltage Range: 24V AC,DC
- ◇ Contact Resistance: 3 mΩ Max. before environment test
- ◇ Temperature Range: -30° C to 125° C

### Reference

- ◇ Use with 66502S series Receptacle Housing
- ◇ Use with 66502VA series Cable Seal
- ◇ Mates with 66501T series crimp terminal
- ◇ Applicable wire gauge: 0.51 mm<sup>2</sup> - 0.82 mm<sup>2</sup> (AWG 20 - 18)



### 66502T Crimp Terminal



### Ordering Information

Part No.	Applicable Wire		Q'ty / Reel
	AWG #	Insulation O.D. mm	
66502T011R	18 - 20	2.5 Max.	3,000
66502T021R	18 - 20	2.5 Max.	3,000

### Material

Part No.	Material	A	B	C	D
66502T011R	Phosphor Bronze,	4.9	4.6	3.2	3.3
66502T021R	Tin-Plated	4.4	4.2	3.2	3.3