



## CATALOGUE

# Power Connector

PWE, PWF, PWG



PWC, PWCU



PWL



Power II Series: PWJ, PWH

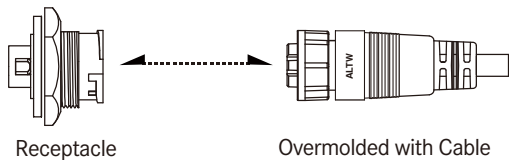


PWCU

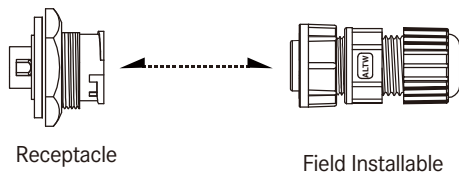


# Range Overview

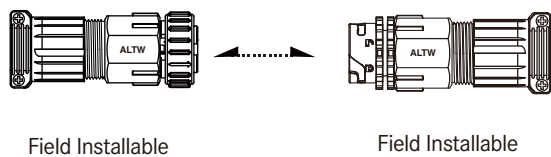
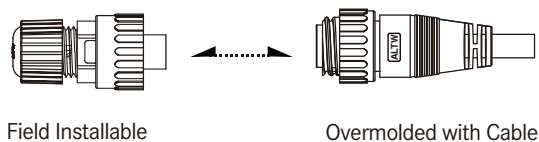
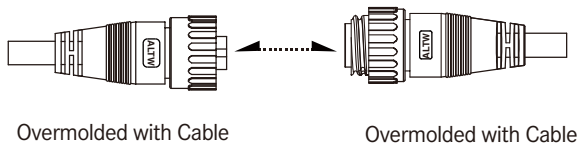
## Receptacle to Overmolded with Cable



## Receptacle to Field Installable



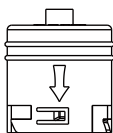
## In-Line



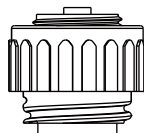
## Accessories



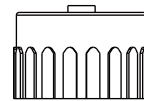
Waterproof Cap



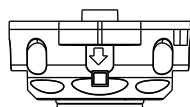
Waterproof Cap



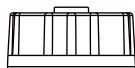
Waterproof Cap



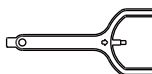
Waterproof Cap



Waterproof Cap



Waterproof Cap



Unlock Tool

[Note] Design and specification are subject to change without notice.

## Specification

<b>Identifications</b>	Power Connector
<b>Description</b>	Receptacle Overmolded with Cable Field Installable
<b>Current Rating / Data</b>	8A, 12A, 16A, 20A, 25A, 30A, 20A+2A
<b>Material</b>	Contacts: Copper Alloy, Gold Plated Connector Body (Housing) : Nylon+GF, UL Recognized, PPE
<b>Waterproof Rating</b>	IP66~68
<b>Temperature Range</b>	Receptacle : -40°C ~ 105°C Overmolded with Cable : -20°C ~ 80°C Field Installable : -40°C ~ 105°C
<b>Contact Resistance</b>	≤ 5mΩ
<b>Insulation Resistance</b>	≥ 100 MΩ at DC 500V
<b>Durability</b>	500 cycles
<b>Dielectric Withstand Voltage</b>	≥ AC1000V / 1 minute
<b>More to know</b>	Standard Cable Length: 01~99M

# Ordering Information

	1	2	3	4	5	6	7	8	9	10
<b>Specification / Current Rating</b>										
(PWE) 8A		(PWCU) 20A+2A								
(PWF) 12A		(PWG) 16A								
(PWC) 20A		(PWJ) 30A*								
(PWH) 25A*		(PWL) 30A**								
<b>Number of Contacts</b>										
02, 03, 04, 05, 06, 07....										
e.g. (02)= 2 Contacts										
<b>Connector Body (Style)</b>										
<u>&gt; For Receptacle</u>		<u>&gt; For Overmolded with Cable</u>								
(P) Front Fastened		(A) With Strain Relief								
(R) Rear Fastened		(B) Without Strain Relief								
		<u>&gt; For Field installable</u>								
		(B) Without Strain Relief								
<b>Connector (Housing) Gender</b>										
(M) Male Connector		(F) Female Connector								
<b>Contact Gender</b>										
(M) Male		(C) Combo								
(F) Female										
<b>Assemble Style</b>										
<u>&gt; For Receptacle</u>		<u>&gt; For Overmolded with Cable</u>								
(S) Solder Type		(M) Overmolded with Cable								
(B) Screw in Type		<u>&gt; For Field Installable</u>								
(C) Crimp Type		(A) Field installable (Solder)								
		(B) Screw in Type								
		(C) Crimp Type								
<b>Mating Style</b>										
(S) Screw Thread		(L) 2 Points Lock Bayonet								
(T) 3 Points Lock Bayonet										
<b>Backshell</b>										
<u>&gt; For Receptacle</u>		<u>&gt; For Overmolded with Cable</u>		<u>&gt; For Field Installable</u>						
(C) Circular		(L) Straight		(L) Straight						
(S) Square		(R) Right Angle		(R) Right Angle						
<b>Waterproof Rating</b>										
(6) IP 66										
(7) IP 67										
(8) IP 68										
<b>More Information</b>										
<u>&gt; For Receptacle</u>		<u>&gt; For Overmolded with Cable</u>		<u>&gt; For Field Installable</u>						
(001), (002), (003) .....		(□)+(■) : Cable Type + Cable Length		(001), (002), (003) .....						
Without Cable : Different Versions		e.g. (A01)= UL2464 Cable + 1M		Without Cable : Different Versions						
		(□) : Cable Type		(■) : Cable Length						
		(A) UL2464 Cable		(D) SJTW Cable From 1M to 99M						
		(B) Power Cable(TC-ER)		(E) H05 Cable e.g.(01) = 1M						
		(C) SJTOW Cable		(F) H07 Cable						

\* Recommended For Inverter Application

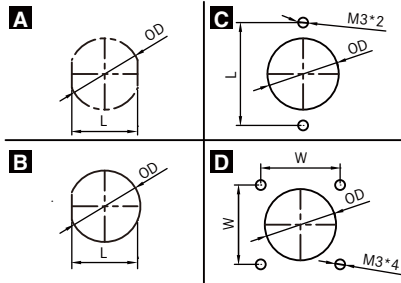
\*\* Recommended For LED Application

[Note] Design and specification are subject to change without notice.

# Physical Dimension

## Receptacle Cut-Out

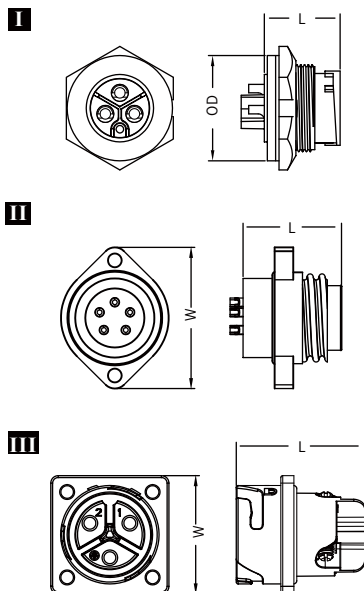
Panel Cut-Out



Connector(Housing) Gender Current Rating*	Type	L / W		OD	
		Male	Female	Male	Female
8A (PWE)	C	31.1	21.55	31.1	21.55
12A (PWF)	C	31.1	21.55	31.1	21.55
16A (PWG)	C	31.1	21.60	31.1	21.60
20A (PWC)	B	19.4	20.80	-	-
25A (PWH)	B	30.2	32.00	-	-
	A	23.2	25.20	-	-
20A+2A (PWCU)	B	19.4	20.80	-	-
30A (PWL)	D	23.0	23.00	-	-
30A (PWJ)	A	23.2	25.20	-	-

Unit: mm

Connector Dimension

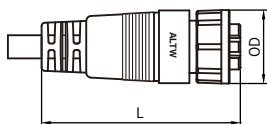


Connector(Housing) Gender Current Rating*	Type	L		OD / W		Recommend Panel Thickness
		Female	Male	Female	Male	
8A (PWE)	II	27.50	26.50	38.00	38.00	-
12A (PWF)	II	27.50	26.50	38.00	38.00	-
16A (PWG)	II	32.40	31.00	38.00	38.00	-
20A (PWC)	I	-	18.00	-	25.00	4.5 mm Max.
25A (PWH)	I	-	55.00	-	40.00	5.0 mm Max.
		-	47.00	-	35.00	0.5~8 mm
20A+2A (PWCU)	I	-	18.00	-	25.00	4.5 mm Max.
30A (PWL)	III	-	34.60	-	31.80	-
30A (PWJ)	I	-	47.00	-	35.00	0.5~8 mm

Unit: mm

\*Current rating represents a maximum value for a largest wire size recommended for use.

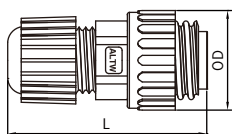
### Overmolded with Cable



Connector(Housing) Gender Current Rating*	L		OD	
	Female	Male	Female	Male
8A (PWE)	70.3	72.0	30.2	30.2
12A (PWF)	70.3	72.0	30.2	30.2
20A (PWC)	60.0	65.5	22.2 (L)** 23.0 (T)**	18.0
25A (PWH)	91.55	100.4	40.0	31.75
20A+2A (PWCU)	60.0	65.5	22.2	18.0

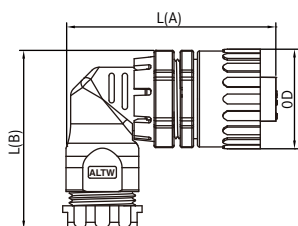
\*\* (L) 2 Points Lock Bayonet | (T) 3 Points Lock Bayonet

### Field Installable



(See 3rd top-right hand chart)

Connector(Housing) Gender Current Rating*	L		OD	
	Female	Male	Female	Male
8A (PWE)	60.7	60.4	30.2	30.2
12A (PWF)	60.7	60.4	30.2	30.2
16A (PWG)	67.0	67.0	30.2	30.2
20A (PWC)	48.15	-	22.2	-
20A+2A (PWCU)	88.4	91.0	33.0	26.9
	48.15	-	22.2	-
25A (PWH)	87.4	84.1	38.0	38.0
30A (PWL)	92.14	-	35.2	-
30A (PWJ)	87.4	84.1	38.0	38.0



(See bottom right hand chart)


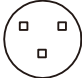

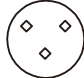





Connector(Housing) Gender Current Rating*	L [A]	L [B]	OD
	Female / Male	Female / Male	Female / Male
16A (PWG)	62.0	54.0	30.2

Unit: mm

\*Current rating represents a maximum value for a largest wire size recommended for use.

[Note] Design and specification are subject to change without notice.

# Contact Configuration

	8A (PWE)		12A (PWF)		16A (PWG)		20A (PWC)	
	MM or FF	MF or FM	MM or FF	MF or FM	MM or FF	MF or FM	MM or FF	MF or FM
<b>4 5</b>								
2Contacts (02)			 R   C   F					
3Contacts (03)			 R   C   F				 R   C	 R   C
4Contacts (04)			 R   C   F		     F			
5Contacts (05)	 R   C   F							
6Contacts (06)	 R   C   F							
7Contacts (07)	 R   C   F							
12Contacts (12)								



25A (PWH)		20A+2A (PWCU)		30A (PWL)/(PWJ)			
MM or FF	MF or FM	MM or FF	MF or FM	MM or FF	MF or FM		
R	C			R	F		
		R	C	F	R	C	F
R	F	R	F				
			F				

**R:** receptacle  
**C:** overmolded with cable  
**F:** field installable

- 8A (PWE)
- 12A (PWF)
- 16A (PWG)
- 20A (PWC)
- 25A (PWH)
- 20A+2A (PWCU)
- 30A (PWL)

**Number of Contacts:**  
 Ex.2 contacts (02)

**Connector (Housing) Gender:**  
 Male(M) or Female(F)

**Contact Gender:**  
 Male(M) or Female(F)

**More to Choose:**

- Solder (S)  
 - Solder Cup



- Screw In (B)



- Crimp (C)



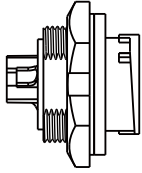
+



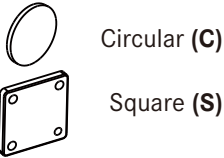
[Note] Design and specification are subject to change without notice.

## Product Features

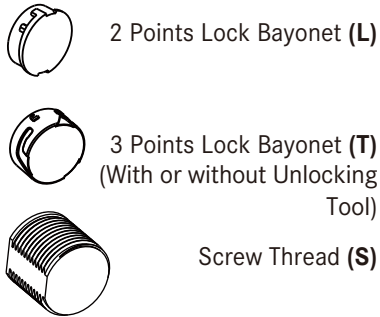
### ┘ Receptacle



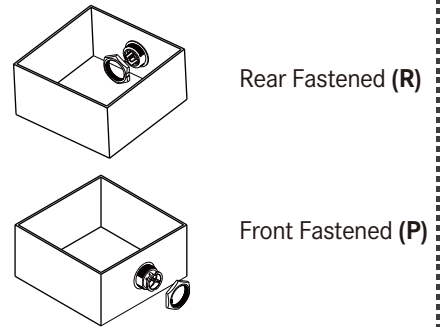
#### Backshell 8



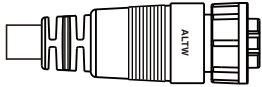
#### Mating Style



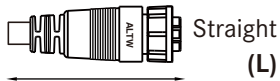
#### Connector Body (Style)



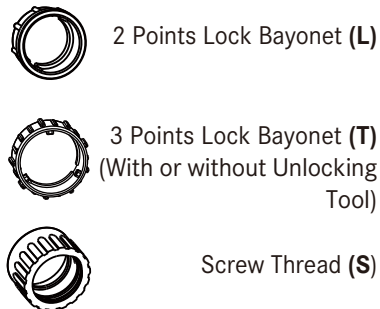
### ┘ Overmolded with Cable



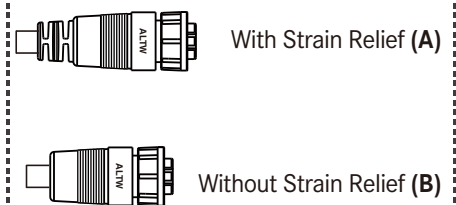
#### Backshell 8



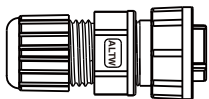
#### Mating Style



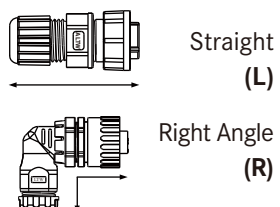
#### Connector Body (Style)



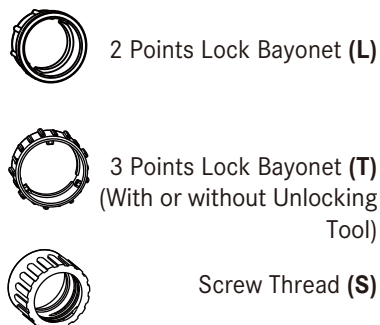
### ┘ Field Installable



#### Backshell 8



#### Mating Style

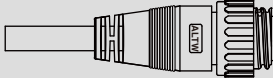




#### Connector Body (Style)





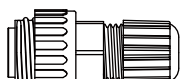
# Find Our Standard Products

## └ In-Line

<ul style="list-style-type: none"> <li>• Male Connector (Housing)</li> <li>• Male Contacts</li> <li>• Screw Thread</li> </ul>		Overmolded with Cable →	Overmolded with Cable →	Field Installable
				
Current Rating (Code)	Contacts ②	Male Connector (M) Male Contacts (M)	Female Connector (F) Female Contacts (F)	Female Connector (F) Female Contacts (F)
8A (PWE)	05,06,07	PWE- ② AMMM-SL7A <sup>XX</sup> *	PWE- ② AFFM-SL7A <sup>XX</sup> *	PWE- ② BFFA-SL7001
12A (PWF)	02,03,04	PWF- ② AMMM-SL7A <sup>XX</sup> *	PWF- ② AFFM-SL7A <sup>XX</sup> *	PWF- ② BFFA-SL7001
25A (PWH)	03	PWH-03AMMM-SL7A <sup>XX</sup> *	PWH-03AFFM-SL7A <sup>XX</sup> *	-

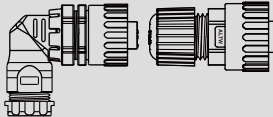

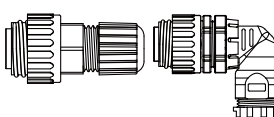
\* XX: Choose the cable length from 01~99m

## └ In-Line

<ul style="list-style-type: none"> <li>• Female Connector (Housing)</li> <li>• Female Contacts</li> <li>• Screw Thread</li> </ul>		Overmolded with Cable →	Overmolded with Cable →	Field Installable
				
Current Rating (Code)	Contacts ②	Female Connector (F) Female Contacts (F)	Male Connector (M) Male Contacts (M)	Male Connector (M) Male Contacts (M)
8A (PWE)	05,06,07	PWE- ② AFFM-SL7A <sup>XX</sup> *	PWE- ② AMMM-SL7A <sup>XX</sup> *	PWE- ② BMMA-SL7001
12A (PWF)	02,03,04	PWF- ② AFFM-SL7A <sup>XX</sup> *	PWF- ② AMMM-SL7A <sup>XX</sup> *	PWF- ② BMMA-SL7001
25A (PWH)	03	PWH-03AFFM-SL7A <sup>XX</sup> *	PWH-03AMMM-SL7A <sup>XX</sup> *	-

\* XX: Choose the cable length from 01~99m

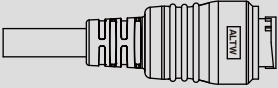
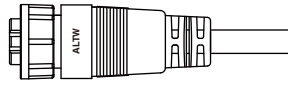
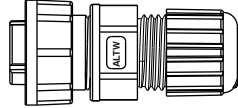
## └ In-Line

<ul style="list-style-type: none"> <li>• Female Connector (Housing)</li> <li>• Female Contacts</li> <li>• Screw Thread</li> </ul>		Field Installable →	Overmolded with Cable →	Field Installable
				
		⑧ Choose straight (L) or right angle (R)		⑧ Choose straight (L) or right angle (R)
Current Rating (Code)	Contacts ②	Female Connector (F) Female Contacts (F)	Male Connector (M) Male Contacts (M)	Male Connector (M) Male Contacts (M)
8A (PWE)	05~07	PWE- ② BFFA-SL7001	-	PWE- ② BMMA-SL7001
12A (PWF)	02~04	PWF- ② BFFA-SL7001	-	PWF- ② BMMA-SL7001
16A (PWG)	04	PWG-04BFFB-S ⑧ 7 <sup>XXX</sup> *	-	PWG-04BMMB-S ⑧ 7 <sup>XXX</sup> *

\* XXX: Choose Pin Plating: Gold Plated (001), Silver Plated (002) or Tin Plated (003)

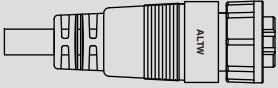
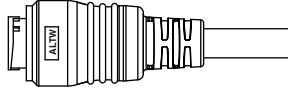
[Note] Design and specification are subject to change without notice.

↘ In-Line

<ul style="list-style-type: none"> <li>• Male Connector (Housing)</li> <li>• Male Contacts</li> <li>• 2 Points Lock Bayonet &amp; 3 Points Lock Bayonet</li> </ul>		Overmolded with Cable →	Overmolded with Cable →	Field Installable
				
Current Rating (Code)	Contacts	Male Connector (M) Male Contacts (M)	Female Connector (F) Female Contacts (F)	Female Connector (F) Female Contacts (F)
20A (PWC)	03	PWC-03AMMM-LL7A <sup>XX</sup> * PWC-03AMMM-LL7B <sup>XX</sup> * PWC-03AMMM-LL7D <sup>XX</sup> * PWC-03AMMM-LL7E <sup>XX</sup> * PWC-03BMMM-LL7D <sup>XX</sup> * PWC-03BMMM-LL7E <sup>XX</sup> * PWC-03AMMM-TL7A <sup>XX</sup> * PWC-03AMMM-TL7B <sup>XX</sup> *	PWC-03AFFM-LL7A <sup>XX</sup> * PWC-03AFFM-LL7B <sup>XX</sup> * PWC-03AFFM-LL7D <sup>XX</sup> * PWC-03AFFM-LL7E <sup>XX</sup> * PWC-03BFFM-LL7D <sup>XX</sup> * PWC-03BFFM-LL7E <sup>XX</sup> * PWC-03AFFM-TL7A <sup>XX</sup> * PWC-03AFFM-TL7B <sup>XX</sup> *	PWC-03BFFA-LL7 <sup>XXX</sup> ** PWC-03BFFA-TL7001
20A+2A (PWCU)	(3+1)	PWCU-04AMMM-LL7A <sup>XX</sup> * PWCU-04AMMM-LL7B <sup>XX</sup> * PWCU-04AMMM-TL7A <sup>XX</sup> * PWCU-04AMMM-TL7B <sup>XX</sup> *	PWCU-04AFFM-LL7A <sup>XX</sup> * PWCU-04AFFM-LL7B <sup>XX</sup> * PWCU-04AFFM-TL7A <sup>XX</sup> * PWCU-04AFFM-TL7B <sup>XX</sup> *	PWCU-04BFFA-LL7 <sup>XXX</sup> ** PWCU-04BFFA-TL7001

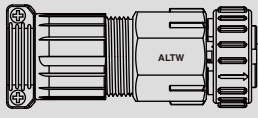
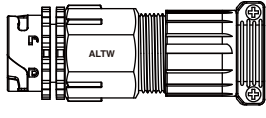
\* XX: Choose the cable length from 01~99m  
\*\* XXX: Select UL (002) or Non-UL (001)

↘ In-Line

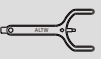

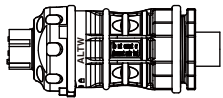
<ul style="list-style-type: none"> <li>• Female Connector (Housing)</li> <li>• Female Contacts</li> <li>• 2 Points Lock Bayonet</li> </ul>		Overmolded with Cable →	Overmolded with Cable →	Field Installable
				
Current Rating (Code)	Contacts	Female Connector (F) Female Contacts (F)	Male Connector (M) Male Contacts (M)	-
20A (PWC)	03	PWC-03AFFM-LL7A <sup>XX</sup> * PWC-03AFFM-LL7B <sup>XX</sup> * PWC-03AFFM-LL7D <sup>XX</sup> * PWC-03AFFM-LL7E <sup>XX</sup> *	PWC-03AMMM-LL7A <sup>XX</sup> * PWC-03AMMM-LL7B <sup>XX</sup> * PWC-03AMMM-LL7D <sup>XX</sup> * PWC-03AMMM-LL7E <sup>XX</sup> *	-
20A+2A (PWCU)	(3+1)	PWCU-04AFFM-LL7A <sup>XX</sup> * PWCU-04AFFM-LL7B <sup>XX</sup> *	PWCU-04AMMM-LL7A <sup>XX</sup> * PWCU-04AMMM-LL7B <sup>XX</sup> *	-

\* XX: Choose the cable length from 01~99m

∟ In-Line

<ul style="list-style-type: none"> <li>• Female Connector (Housing)</li> <li>• Female Contacts</li> <li>• 3 Points Lock Bayonet</li> </ul>		Field Installable $\dashrightarrow$ Overmolded with Cable $\dashrightarrow$ Field Installable 		Field Installable 
Current Rating (Code)	Contacts	Female Connector (F) Female Contacts (F)	Male Connector (M) Male Contacts (M)	Male Connector (M) Male Contacts (M)
20A+2A (PWCU)	(6+6)	PWCU-12BFFA-TL7001	-	PWCU-12BMMA-TL7001

∟ In-Line




<ul style="list-style-type: none"> <li>• Male Connector (Housing)</li> <li>• Male Contacts</li> <li>• 3 Points Lock Bayonet</li> <li>• Unlock Tool Needed (Part Number: ANB00010649)</li> </ul> 		Field Installable $\dashrightarrow$ Overmolded with Cable $\dashrightarrow$ Field Installable 		Field Installable 
Current Rating (Code)	Contacts	Male Connector (M) Male Contacts (M)	Female Connector (F) Female Contacts (F)	Female Connector (F)** Female Contacts (F)
25A (PWH)	05	PWH-05BMMC-LL8XXX*	-	PWH-05BFFC-LL8XXX*
30A (PWJ)	03	PWJ-03BMMB-LL8XXX*	-	PWJ-03BFFB-LL8XXX*

\* XXX: Choose the cable OD range 13~16mm (001) or OD 09~12mm (002)

\*\* The unlock tool is packed with the female connector to sell.

[Note] Design and specification are subject to change without notice.

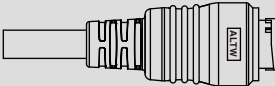
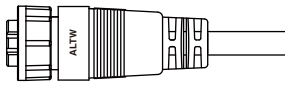
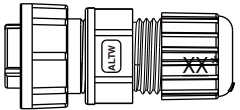
↘ In-Line

<ul style="list-style-type: none"> <li>• Male Connector (Housing)</li> <li>• Female Contacts</li> <li>• 3 Points Lock Bayonet</li> <li>• Unlock Tool Needed (Part Number: ANB00010649)</li> </ul> 		Field Installable 	Overmolded with Cable 	Field Installable
Current Rating (Code)	Contacts	Male Connector (M) Female Contacts (F)	Female Connector (F) Male Contacts (M)	Female Connector (F)** Male Contacts (M)
25A (PWH)	05	PWH-05BMFC-LL8XXX*	-	PWH-05BFMC-LL8XXX*
30A (PWJ)	03	PWJ-03BMFB-LL8XXX*	-	PWJ-03BFMB-LL8XXX*

\* XXX: Choose the cable OD range 13~16mm (001) or OD 09~12mm (002)

\*\* The unlock tool is packed with the female connector to sell.

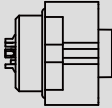
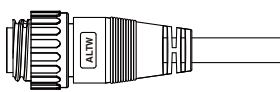
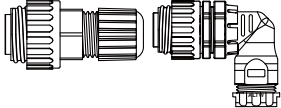
↘ In-Line

<ul style="list-style-type: none"> <li>• Male Connector (Housing)</li> <li>• Male Contacts</li> <li>• 2 Points Lock Bayonet &amp; 3 Points Lock Bayonet</li> </ul>		Overmolded with Cable 	Overmolded with Cable 	Field Installable 
Current Rating (Code)	Contacts	Male Connector (M) Female Contacts (F)	Female Connector (F) Male Contacts (M)	Female Connector (F) Male Contacts (M)
20A (PWC)	03	PWC-03AMFM-LL7AXX*	PWC-03AFMM-LL7AXX*	PWC-03BFMA-LL7XXX**
		PWC-03AMFM-LL7BXX*	PWC-03AFMM-LL7BXX*	
		PWC-03AMFM-LL7DXX*	PWC-03AFMM-LL7DXX*	
		PWC-03AMFM-LL7EXX*	PWC-03AFMM-LL7EXX*	
		PWC-03BMFM-LL7DXX*	PWC-03BFMM-LL7DXX*	
		PWC-03BMFM-LL7EXX*	PWC-03BFMM-LL7EXX*	
		PWC-03AMFM-TL7AXX*	PWC-03AFMM-TL7AXX*	
		PWC-03AMFM-TL7BXX*	PWC-03AFMM-TL7BXX*	
20A+2A (PWCU)	(3+1)	PWCU-04AMFM-LL7AXX*	PWCU-04AFMM-LL7AXX*	-
		PWCU-04AMFM-LL7BXX*	PWCU-04AFMM-LL7BXX*	

\* XX: Choose the cable length from 01~99m

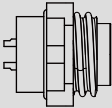
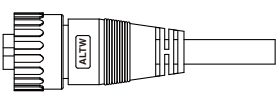
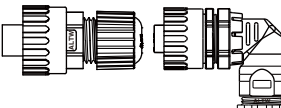
\*\* XXX: Select UL (002) or Non-UL (001)

## Receptacle and Mating Pair

<ul style="list-style-type: none"> <li>• Female Connector (Housing)</li> <li>• Female Contacts</li> <li>• Screw Thread</li> </ul>		Receptacle 	Overmolded with Cable 	Field Installable 
8 Choose straight (L) or right angle (R)				
Current Rating (Code)	Contacts 2	Female Connector (F) Female Contacts (F)	Male Connector (M) Male Contacts (M)	Male Connector (M) Male Contacts (M)
8A (PWE)	05, 06, 07	PWE-2 PFFS-SC7001	PWE-2 AMMM-SL7A <sup>XXX</sup> **	PWE-2 BMMA-SL7001
12A (PWF)	02, 03, 04	PWF-2 PFFS-SC7001	PWF-2 AMMM-SL7A <sup>XXX</sup> **	PWF-2 BMMA-SL7001
16A (PWG)	04	PWG-04PFFB-SC7 <sup>XXX</sup> *	-	PWG-04BMMB-S 8 7 <sup>XXX</sup> *

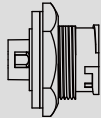
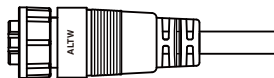
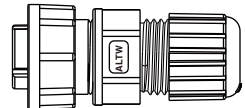
\* <sup>XXX</sup>: Choose Pin Plating: Gold Plated (001), Silver Plated (002) or Tin Plated (003)  
 \* <sup>XX</sup>: Choose the cable length from 01-99m

## Receptacle and Mating Pair

<ul style="list-style-type: none"> <li>• Male Connector (Housing)</li> <li>• Male Contacts</li> <li>• Screw Thread</li> </ul>		Receptacle 	Overmolded with Cable 	Field Installable 
8 Choose straight (L) or right angle (R)				
Current Rating (Code)	Contacts 2	Male Connector (M) Male Contacts (M)	Female Connector (F) Female Contacts (F)	Female Connector (F) Female Contacts (F)
8A (PWE)	05, 06, 07	PWE-2 PMMS-SC7001	PWE-2 AFFM-SL7A <sup>XXX</sup> **	PWE-2 BFFA-SL7001
12A (PWF)	02, 03, 04	PWF-2 PMMS-SC7001	PWF-2 AFFM-SL7A <sup>XXX</sup> **	PWF-2 BFFA-SL7001
16A (PWG)	04	PWG-2 PMMB-SC7 <sup>XXX</sup> *	-	PWG-04BFFB-S 8 7 <sup>XXX</sup> *
25A (PWH)	03	PWH-03PMMB-SC7001	PWH-03AFFM-SL7A <sup>XXX</sup> **	-

\* <sup>XXX</sup>: Choose Pin Plating: Gold Plated (001), Silver Plated (002) or Tin Plated (003)  
 \* <sup>XX</sup>: Choose the cable length from 01-99m

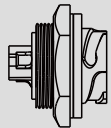
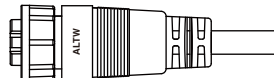

↘ Receptacle and Mating Pair

<ul style="list-style-type: none"> <li>• Male Connector (Housing)</li> <li>• Male Contacts</li> <li>• 2 Points Lock Bayonet</li> </ul>		<p>Receptacle</p> 	<p>Overmolded with Cable</p> 	<p>Field Installable</p> 
Current Rating (Code)	Contacts	Male Connector (M) Male Contacts (M)	Female Connector (F) Female Contacts (F)	Female Connector (F) Female Contacts (F)
20A (PWC)	03	(UL) PWC-03PMMS-LC7001 (Non UL) PWC-03RMMS-LC7001 (UL) PWC-03RMMS-LC7002	PWC-03AFFM-LL7A <sup>XX</sup> * PWC-03AFFM-LL7B <sup>XX</sup> * PWC-03AFFM-LL7D <sup>XX</sup> * PWC-03AFFM-LL7E <sup>XX</sup> * PWC-03BFFM-LL7D <sup>XX</sup> * PWC-03BFFM-LL7E <sup>XX</sup> *	PWC-03BFFA-LL7 <sup>XXX</sup> **
20A+2A (PWCU)	(3+1)	(Non UL) PWCU-04RMMS-LC7001 (UL) PWCU-04RMMS-LC7002	PWCU-04AFFM-LL7A <sup>XX</sup> * PWCU-04AFFM-LL7B <sup>XX</sup> *	-

\* <sup>XX</sup>: Choose the cable length from 01~99m

\*\* <sup>XXX</sup>: Select UL (002) or Non-UL (001)

↘ Receptacle and Mating Pair


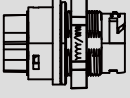


<ul style="list-style-type: none"> <li>• Male Connector (Housing)</li> <li>• Male Contacts</li> <li>• 3 Points Lock Bayonet</li> </ul>		<p>Receptacle</p> 	<p>Overmolded with Cable</p>  <p>** Cable length from 1~99m for your connector</p>	<p>Field Installable</p>  <p>***Selecting UL(002) or Non-UL (001)</p>
Current Rating (Code)	Contacts	Male Connector (M) Male Contacts (M)	Female Connector (F) Female Contacts (F)	Female Connector (F) Female Contacts (F)
20A (PWC)	03	PWC-03RMMS-TC7001	PWC-03AFFM-TL7A <sup>XX</sup> * PWC-03AFFM-TL7B <sup>XX</sup> *	-
30A (PWL)	03	PWL-03PMMB-TS7001	-	PWL-03BFFA-TL7 <sup>XXX</sup> **

\* <sup>XX</sup>: Choose the cable length from 01~99m

\*\* <sup>XXX</sup>: Select UL (002) or Non-UL (001)



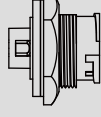


### Receptacle and Mating Pair

<ul style="list-style-type: none"> <li>• Male Connector (Housing)</li> <li>• Male Contacts</li> <li>• 3 Points Lock Bayonet</li> <li>• PWH For Inverter Application</li> <li>• Unlock Tool Needed  (Part Number: ANB00010649)</li> </ul>		<p>Receptacle </p>	<p>Overmolded with Cable </p>	<p>Field Installable </p> <p>UL 6703A Certification (E-Number 346280)</p>
Current Rating (Code)	Contacts	Male Connector (M) Male Contacts (M)	Female Connector (F) Female Contacts (F)	Female Connector (F)* Female Contacts (F)
25A (PWH)	05	PWH-05PMMC-LC8001	-	PWH-05BFFC-LL8XXX**
30A (PWJ)	03	PWJ-03PMMB-LC8001	-	PWJ-03BFFB-LL8XXX**

\* The unlock tool is packed with the female connector to sell.

\*\* XXX: Select the cable OD range 13~16mm (001) or OD 09~12mm (002)

### Receptacle and Mating Pair

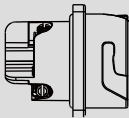
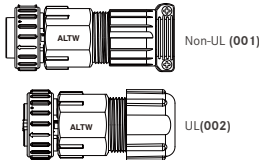
<ul style="list-style-type: none"> <li>• Male Connector (Housing)</li> <li>• Female Contacts</li> <li>• 2 Points Lock Bayonet &amp; 3 Points Lock Bayonet</li> </ul>		<p>Receptacle </p>	<p>Overmolded with Cable </p>	<p>Field Installable </p>
Current Rating (Code)	Contacts	Male Connector (M) Female Contacts (F)	Female Connector (M) Male Contacts (F)	Female Connector (M) Male Contacts (F)
20A (PWC)	03	PWC-03PMFS-LC7001 PWC-03RMFS-LC7XXX* PWC-03RMFS-TC7001	PWC-03AFMM-LL7AXX** PWC-03AFMM-LL7BXX** PWC-03AFMM-LL7DXX** PWC-03AFMM-LL7EXX** PWC-03AFMM-TL7AXX** PWC-03AFMM-TL7BXX**	PWC-03BFMA-LL7XXX* PWC-03BFMA-TL7001
20A+2A (PWCU)	(3+1)	PWCU-04RMFS-LC7XXX*	PWCU-04AFMM-LL7AXX** PWCU-04AFMM-LL7BXX**	PWCU-04BFMA-LL7002

\* XXX: Select UL (002) or Non-UL (001)

\*\* XX: Choose the cable length from 01~99m


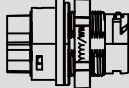
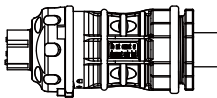
[Note] Design and specification are subject to change without notice.

### Receptacle and Mating Pair

<ul style="list-style-type: none"> <li>• Male Connector (Housing)</li> <li>• Female Contacts</li> <li>• 3 Points Lock Bayonet</li> </ul>		<p>Receptacle</p> 	<p>Overmolded with Cable</p>	<p>Field Installable</p> 
Current Rating (Code)	Contacts	Male Connector (M) Female Contacts (F)	Female Connector (F) Male Contacts (M)	Female Connector (F) Male Contacts (M)
30A (PWL)	03	PWL-03PMFB-TS7001	-	PWL-03BFMA-TL7XXX*

\* XXX: Select UL (002) or Non-UL (001)

### Receptacle and Mating Pair

<ul style="list-style-type: none"> <li>• Male Connector (Housing)</li> <li>• Female Contacts</li> <li>• 3 Points Lock Bayonet</li> <li>• PWJ &amp; PWH For Inverter Application</li> <li>• Unlock Tool Needed  (Part Number: ANB00010649)</li> </ul>		<p>Receptacle</p> 	<p>Overmolded with Cable</p>	<p>Field Installable</p>  <p>UL 6703A Certification (E-Number 346280)</p>
Current Rating (Code)	Contacts	Male Connector (M) Female Contacts (F)	Female Connector (F) Male Contacts (M)	Female Connector (F)* Male Contacts (M)
25A (PWH)	05	PWH-05PMFC-LC8001	-	PWH-05BFMC-LL8XXX**
30A (PWJ)	03	PWJ-03PMFB-LC8001	-	PWJ-03BFMB-LL8XXX**

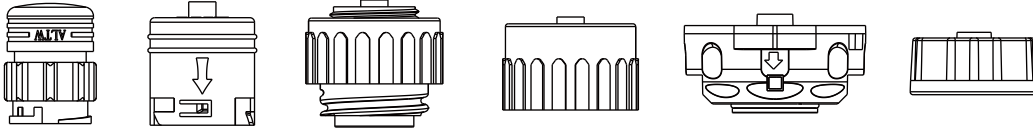
\* The unlock tool is packed with the female connector to sell.

\*\* XXX: Select the cable OD range 13~16mm (001) or OD 09~12mm (002)

# Accessories

## Waterproof Cap

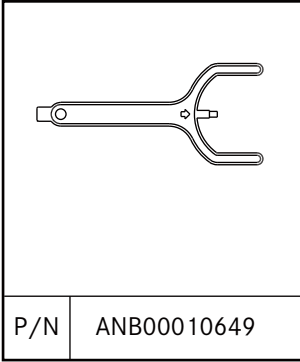
Customization - Upon Request



6 More to choose: None (A) / With Chain (B) / With Rubber Lead (C) / With Fish Line (D)

Size	Mating Pair	Mating Style	Mating Pair (Gender)	P/N	
8A (PWE)	Receptacle	Screw Thread	Male	CAP-WTAMSP 6 1	
			Female	CAP-WTAFSP 6 1	
	Receptacle and Overmolded with Cable		Male	CAP-WTAMSMA1	
	Female		CAP-WTAFSMA1		
12A (PWF)	Receptacle	Screw Thread	Male	CAP-WTAMSP 6 1	
			Female	CAP-WTAFSP 6 1	
	Receptacle and Overmolded with Cable		Male	CAP-WTAMSMA1	
	Female		CAP-WTAFSMA1		
16A (PWG)	Receptacle	Screw Thread	Male	CAP-WTAMSP 6 1	
			Female	CAP-WTAFSP 6 1	
	Receptacle and Overmolded with Cable		Male	CAP-WTAMSMA1	
	Female		CAP-WTAFSMA1		
20A (PWC)	Receptacle	2 Points Lock Bayonet	Male	CAP-WACMLP 6 1	
	Receptacle and Overmolded with Cable			CAP-WACMLMA1	
	Receptacle and Overmolded with Cable		Female	CAP-WACFLMA2	
20A+2A (PWCU)	Receptacle	2 Points Lock Bayonet	Male	CAP-WACMLP 6 1	
	Receptacle and Overmolded with Cable			CAP-WACMLMA1	
	Receptacle and Overmolded with Cable		Female	CAP-WACFLMA2	
25A (PWH)	Receptacle and Overmolded with Cable	3 Points Lock Bayonet	Female	CAP-WPWFTMD1	
30A (PWJ)	Receptacle and Overmolded with Cable	3 Points Lock Bayonet	Male	CAP-WPWMTMD1	

∟ **Unlock Tool**



**Amphenol LTW Technology Co., Ltd.**

5F-3, No.51, Sec.4, Zhongyang Rd., Tucheng Dist., New Taipei City 236, Taiwan  
Telephone: +886-2-77416888 Fax: +886-2-77416999  
[www.amphenolltw.com](http://www.amphenolltw.com)

**Kunshan Factory**

No. 62, DaTong Road, Development Zone, Kunshan City, JiangSu Province, 215333 China  
Telephone: +86-512-5761-0501  
Fax: : +86-512-5761-0515

**For further information, please contact :**

Sales & Marketing Department | Email : [sales@ltw-tech.com](mailto:sales@ltw-tech.com)