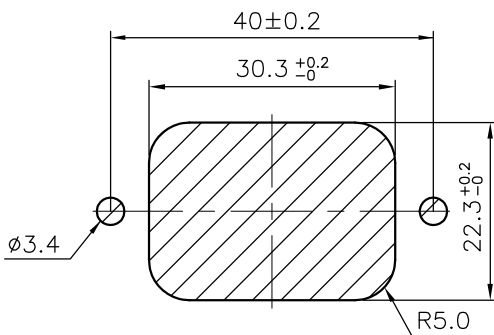
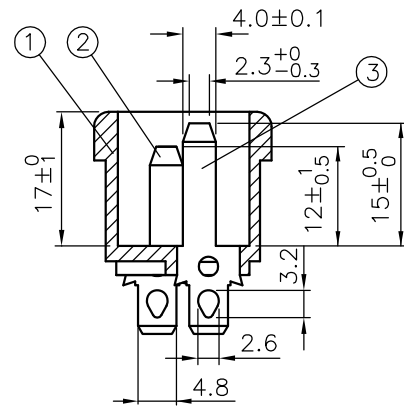
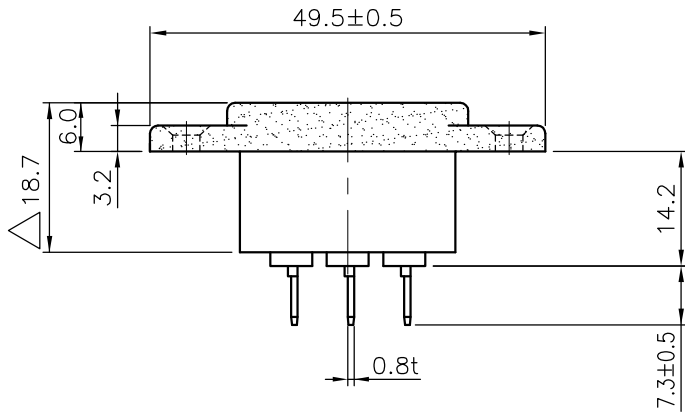
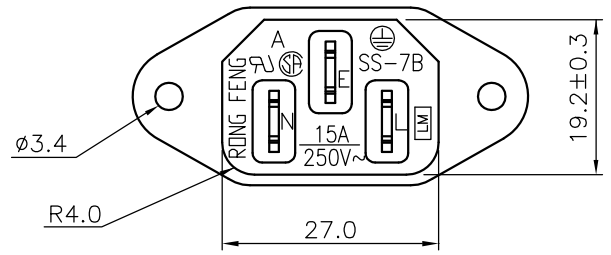
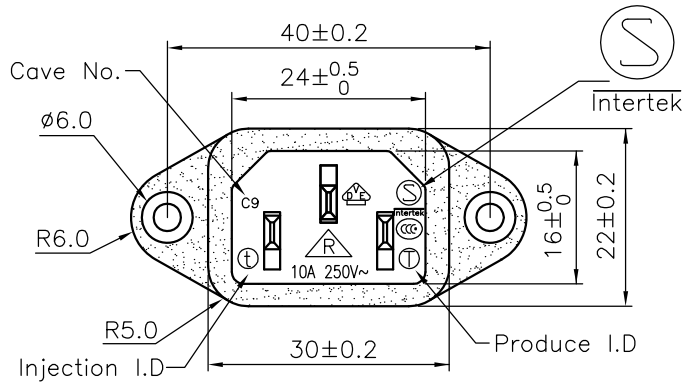


SS-7B INLET

SCALE : 1:1

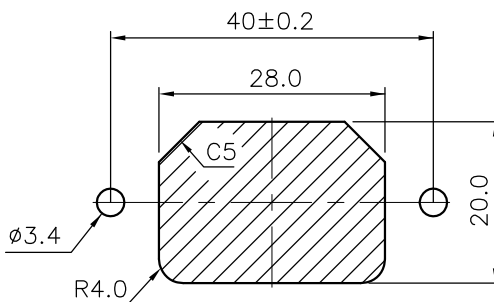
UNIT : mm



Mounting inlet flange at back of cover.

Rating: 15A 250V AC
 Approvals:UL/CSA
 Rating: 10A 250V AC
 Approvals:VDE/SEMKO/CCC

Part No.	Terminal
SS-7B-VDER-4.8	Tin-Plated
SS-7B-VDER-4.8-NI	Nickel-Plated



Mounting inlet flange in front of cover.

			DIMENSIONAL TOLERANCES		
			GRADATION	TOLERANCE	
3	Soldering PIN Brass Strip t=2mm	1			
2	Contact PIN Brass Strip t=2mm	2	X	±0.4	
1	Body Insulator PBT Black Color	1	X.X	±0.3	
APPROVED:	CHECK:	DRAWER:	MATERIAL NO: SS-7B-VDER-4.8 Series	X.XX	±0.1
			DRAWING NO: 910126	ANGLE	±1°