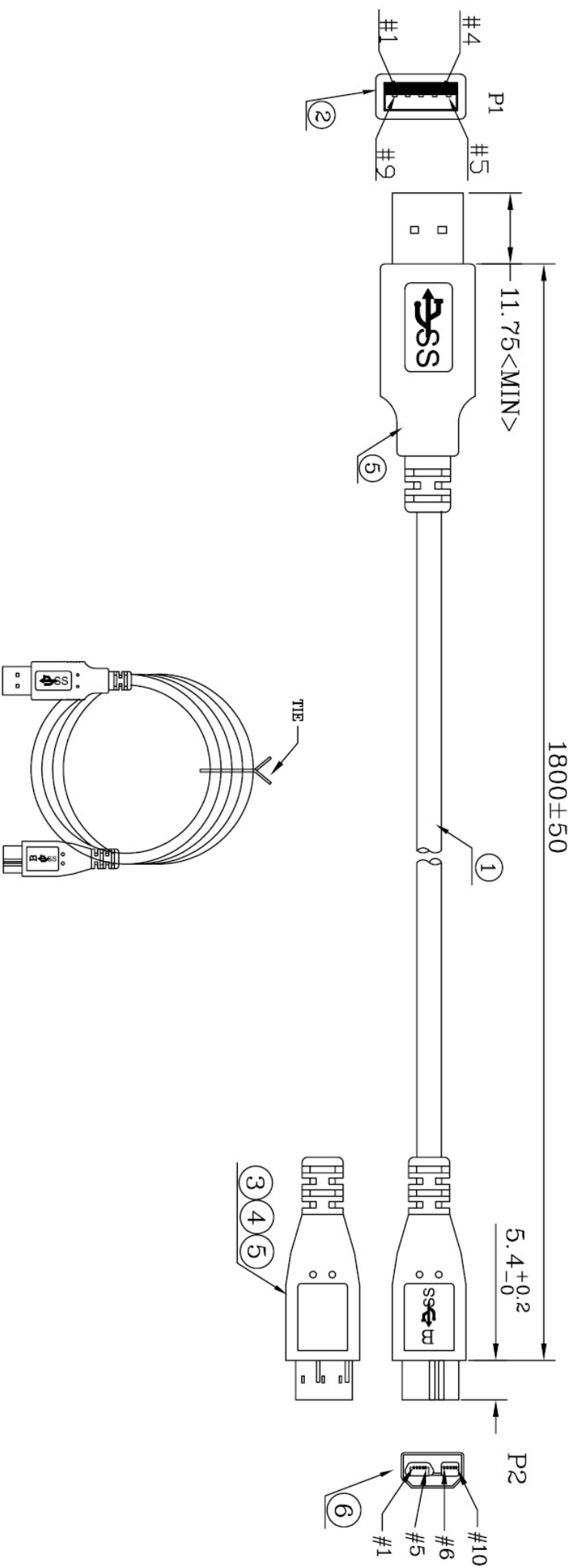


DESCRIPTION CONTROL			
REV	DESC	DATE	APP



NO	PART NO.	DESCRIPTION	QTY	UNIT
*	310000000011	CARTON:46*30*20CM	A/R	PCS
*	300010000001	PE BAG:30*28*0.08MM	A/R	PCS
*	300030000062	PE BAG:6*8*0.06MM	1	PCS
*	220030000036X	TIE-A/WHITE	100.0	MM
*	1100810041XX	MICRO USB B-10P<REV3.0>XPIN G/F/X<信標>	1	PCS
*	12001000000XX	PVC-BLUE03/50P	22	G
*	200034000207	TUBE-HT-φ1.0MM(薄型)	5*3	MM
*	210030000057	HI TEMP TAPE:W/6MM	20*1	MM
*	1100813041XX	USB-A/P-9P<BLUE>XPIN GOLD FLASH>	1	SET
1	1308087030101	UL20276-(30#*P+D+A+M)*2C+30#*P+24#*2C+A+B,BLUE03,φ5.5<USB 3.0><聯類>	1.8	M

ROHS COMPLIANT			
INNER MOLDING	YS-00A	USB:A384	
OUTER MOLDING			
SECCON INDUSTRIA E COMERCIO LTDA.			
DRAWN, BY:		ITEM: UB3001021L05644	
CHECKED, BY:		SCALE: NONE	
APP'ED, BY:		CUSTOMER: C505	
		DATE: 2012-09-05	
		PAGE: 1/1	
ALL DIMENSIONS IN mm			

