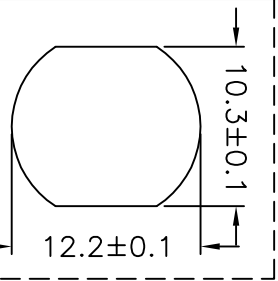
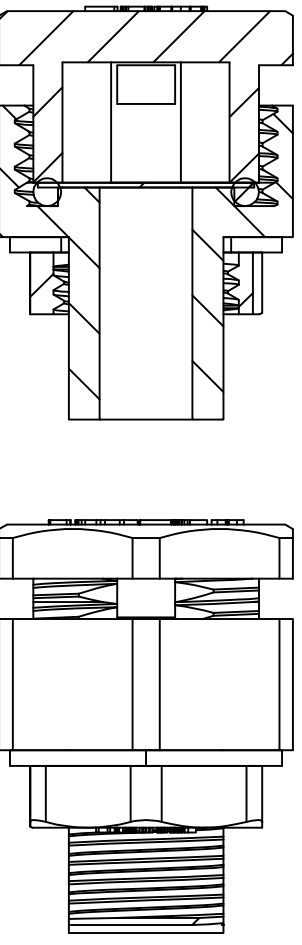
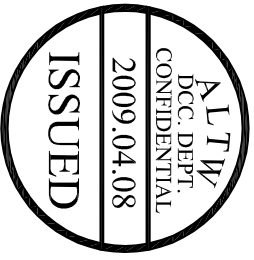
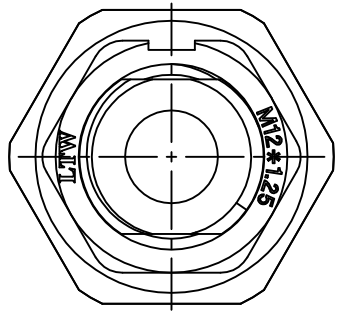
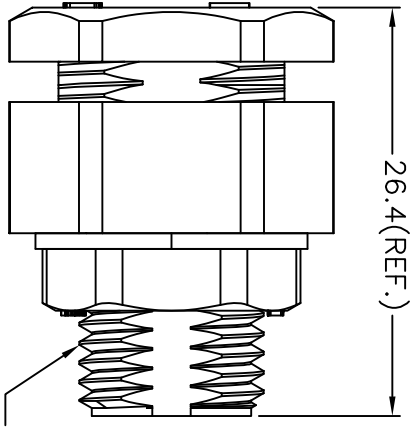
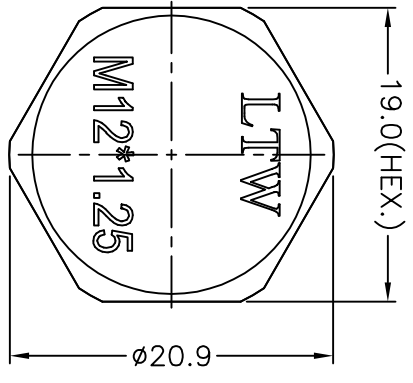
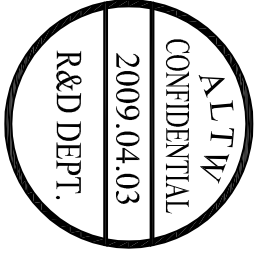
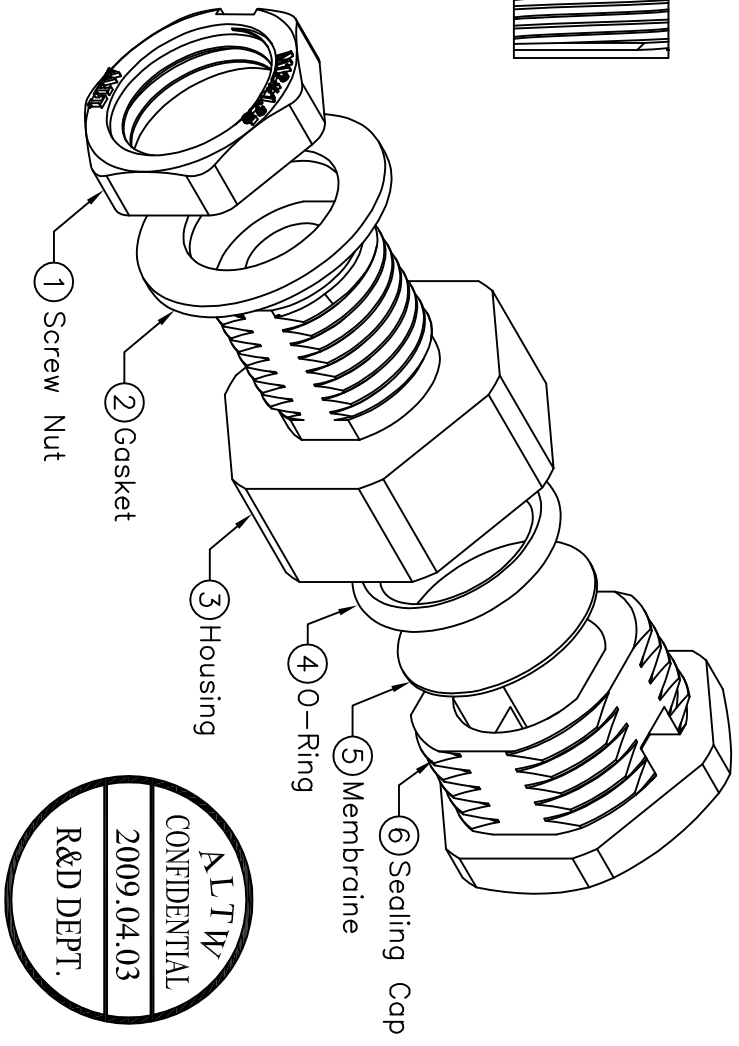


1	2	3	4	5	6	7	8	
				REV. B	EGN NO. LEN-940043	DATE 2009/04/03	SIGN TOMMY	DESCRIPTION ADD THE NOTE



- Note:
- * Ⓢ Important Dimension
 - * Waterproof Rate: IP67
 - * Nut: Black, Nylon 66
 - * Gasket: Black, EPDM
 - * Housing: Black, PBT+PC
 - * O-Ring: Black, EPDM
 - * Membrane: White, PTFE
 - * Sealing Cap: Black, PBT+PC
 - * Maximum Panel Thickness: 6.5mm
 - * Air permeability: 12sec/100cm³
 - * Water entry pressure: 100kPa



UNIT:mm		TITLE		ITEM NO		DRAWN BY		DATE	
TOLERANCE		M12 Vent		VENT-BD001		TOMMY		2009/04/03	
.X	±0.25	SCALE	Free	SHEET	1 OF 1	CHECKED BY	Vicky	DATE	2009/04/03
.XX	±0.1	REV.	B	SIZE	A4	APPROVED BY	Luke	DATE	2009/04/03
.XXX	±0.05	Ⓢ : Inspection Item		CUSTOMER		ALTW		8 FMM0702-01-0142	
ANGLES	±1°								

Amphenol LTW

安費諾亮泰企業股份有限公司