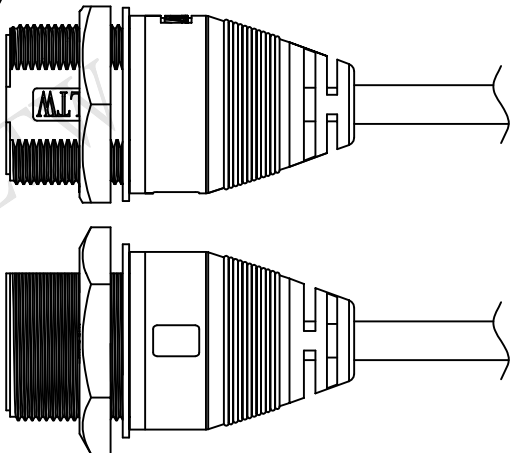
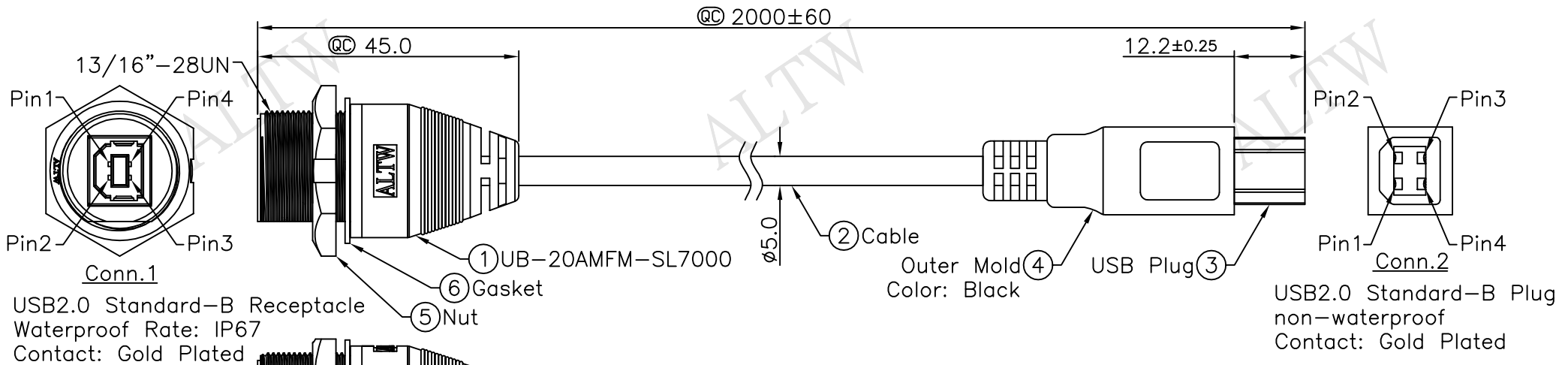


5	6	7	8
REV.	ECN NO.	DATE	SIGN
			DESCRIPTION



APPROVED	
SIGNATURE	
DATE	

Shield	Drain	地線	Shield
4	Black (24AWG) 黑		4
3	Green (28AWG) 綠		3
2	White (28AWG) 白		2
1	Red (24AWG) 紅		1
Conn.1	Wire Color		Conn.2
Pin Out			

Twist

- Note:
- * @C Important Dimension to Check.
 - * Conn.1 Housing: ABS, Black, UL94 V-0
 - * Conn.1 Nut: Nylon+GF, Black
 - * Conn.1 Gasket: EPDM, Black
 - * Cable: USB2.0 28AWG*1P+24AWG*2C+Al/My+D+B, PVC Jacket, UV Resistant, OD5.0mm, Black
 - * On the Connector Not Indicate USB Mark"

UNIT:mm		TITLE
TOLERANCE		USB2.0 Cable Screw M Conn.
±0.5mm		SCALE Free SHEET 1 OF 1
REV. 01	SIZE A4	QC :Inspection Item

Amphenol LTW
安費諾亮泰企業股份有限公司

ITEM NO	WEUB-20AMF-SB7A02	DRAWN BY	Gaotong	DATE	2016/07/19
DWG NO	WEUB-20AMF-SB7A02	CHECKED BY	Kris	DATE	2016/07/19
CUSTOMER	LT002825	APPROVED BY	Lisa	DATE	2016/07/19

THIS DOCUMENT IS SUBJECT TO CHANGE WITHOUT NOTICE. IT IS CONFIDENTIAL AND A PROPERTY OF Amphenol LTW. DISCLOSURE TO THIRD PARTY HAS TO BE AUTHORIZED BY Amphenol LTW.