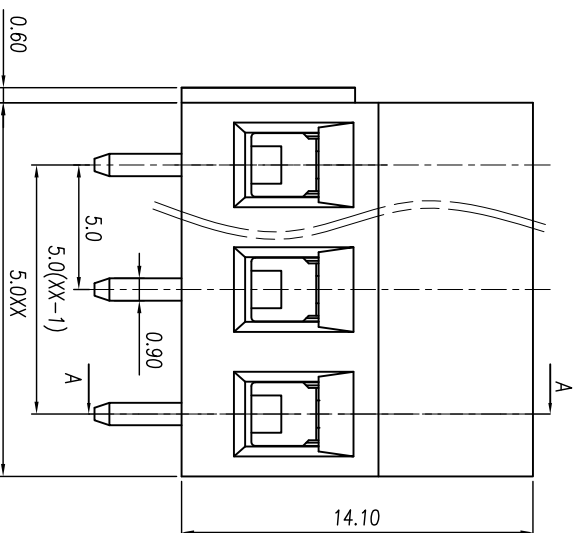
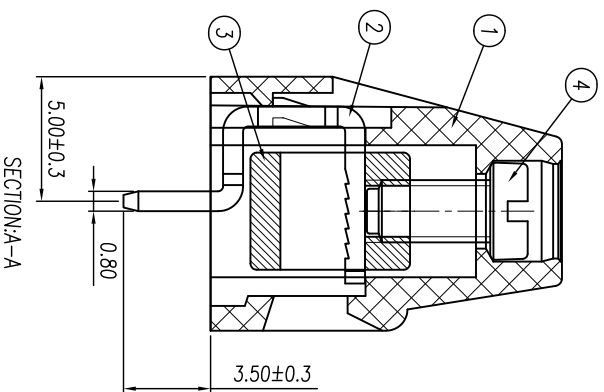
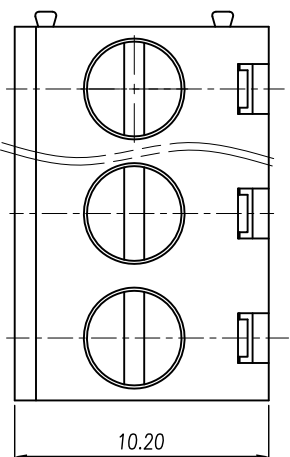
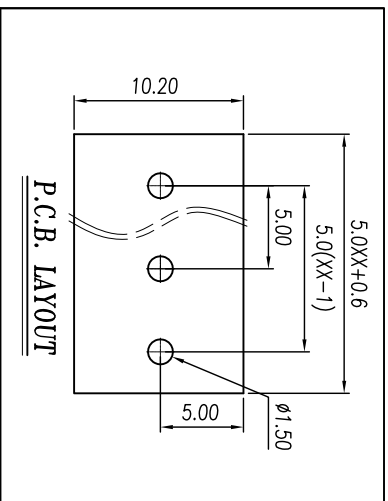




慈溪市万捷电子有限公司 CIXI WANJIE ELECTRONIC CO., LTD

产品规格书
THE SPEC SHEET



variable range	6 to	over 6 to 10	over 10 to 18	over 18 to 30	over 30 to 50	over 50 to 80	over 80 to 120	over 120 to 160	over 160 to 200	over 200 to 250	over 250 to	all	5 to	over 5 to 30	over 30 to 120	over 120 to
	tolerance	±0.1	±0.14	±0.19	±0.25	±0.32	±0.43	±0.57	±0.72	±0.88	±1.05		±1.25	0.5	0.025	0.06

linear dimension(Tolerances Standard GB/T 14486-2008)

参考标准/Standard	UL	IEC
额定电压/Rated voltage	300V	250V
额定电流/Rated current	16A	18A
接触电阻/Contact resistance	20mΩ	
绝缘电阻/Insulation resistance	500MΩ/DC500V	
使用线径/Wire range	22~12AWG	2.5mm ²
耐电压/Wrth standing voltage	AC 2000V/1 Min	
机械性能/Mechanical		
扭矩/Torque	0.4Nm(3.6lb.in)	
剥线长度/Steip Length	6-7mm	
温度范围/Temp.Range	-40°C~+105°C	
瞬时温度/MAX Soldering	+250°C, for 5 Sec	
尺寸/Dimensions		
间距/Pitch	5.0mm	
极数/Poles	2-24p	
材料及电镀/Material		
塑件/Housing	PA66, UL94V-0	
螺丝/Screws	M2.5 Steel Zn plated	
焊脚/Pin header	Brass 0.8t Tin plated	
方块/Cage	Brass Ni plated	

单位/UNITS	mm	尺寸/SIZE	A4	比例/SCALE	4:1
名称/TITLE	慈溪市万捷电子有限公司 CIXI WANJIE ELECTRONIC CO., LTD				第三视角/THIRD ANGLE PROJECTION
	WJ128-5.0-XXP-1YY-00A				